

---

SKALPELLE  
SCALPELS  
BISTURIES  
BISTOURIS  
BISTURI

AD

nopa<sup>®</sup> instruments





nopa<sup>®</sup> instruments

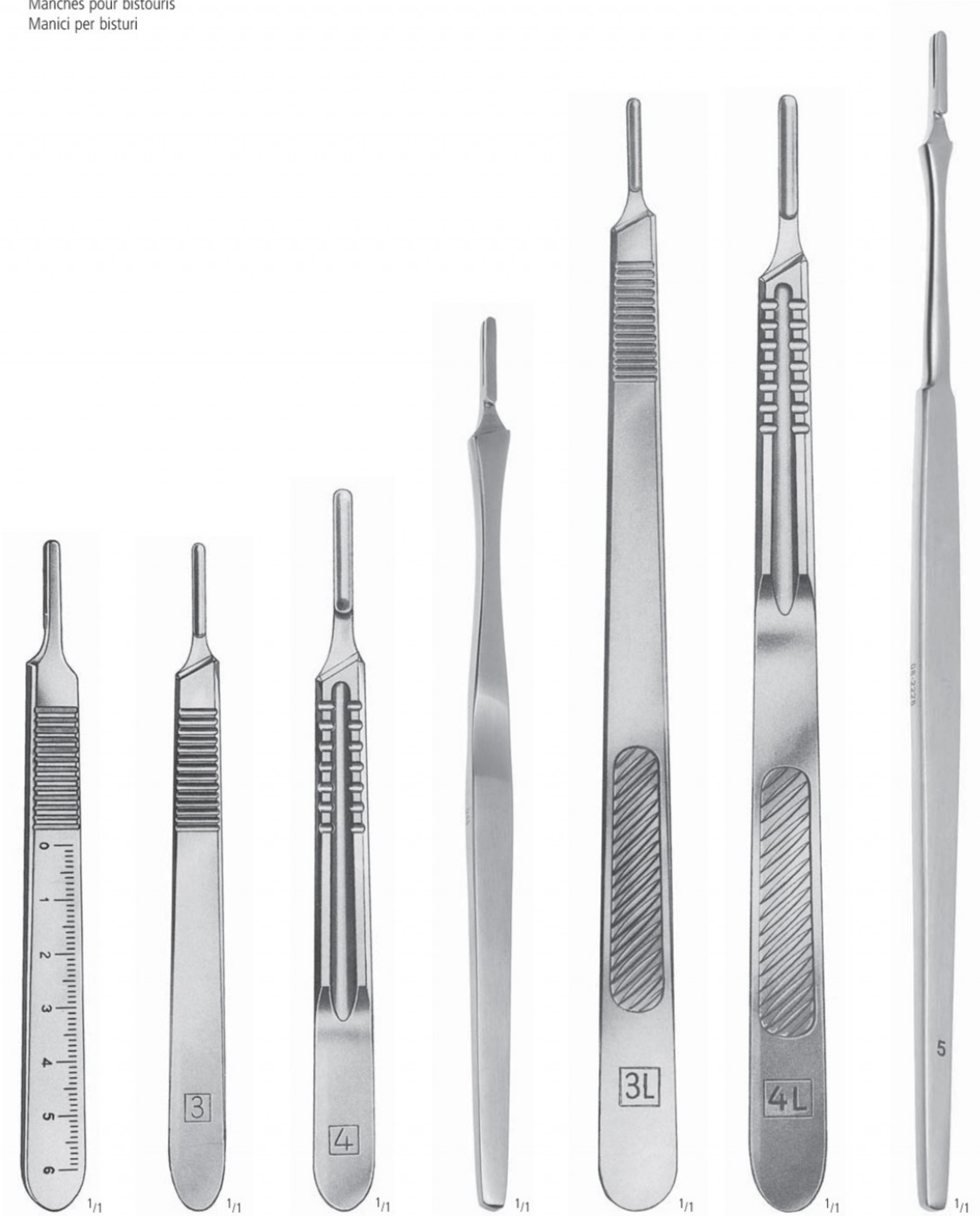
---





SKALPELLE SCALPELS BISTURIES BISTOURIS BISTURI

Skalpеллgriffe  
 Scalpel Handles  
 Mangos de bisturías  
 Manches pour bistouris  
 Manici per bisturi



AD 009/03  
No. 3

AD 010/03  
No. 3

AD 010/04  
No. 4

AD 010/05  
No. 5K

AD 020/13  
No. 3L

AD 020/14  
No. 4L

AD 020/15  
No. 5L

AA  
AB  
AC  
**AD**  
AE  
AF  
AK  
AL  
AM  
AO  
AP  
AR  
KA  
KB  
KC  
KD  
KU  
KY



**AD** SKALPELLE SCALPELS BISTURIES BISTOURIS BISTURI

Skalpellgriffe  
 Scalpel Handles  
 Mangos de bisturías  
 Manches pour bistouris  
 Manici per bisturi



1/1

AD 025/07  
 No. 7



1/1

AD 027/07  
 No. 7K



1/1

AD 030/16



1/1

AD 031/21



1/1

**COLLIN**  
 AD 040/08  
 No. 8



1/1

**COLLIN**  
 AD 042/09  
 No. 9

hohl  
 hollow  
 hueco  
 creux  
 vuoto

SKALPELLE SCALPELS BISTURIES BISTOURIS BISTURI

Skalpellgriffe, Skalpellklingen  
 Scalpel Handles, Scalpel Blades  
 Mangos de bisturías, Hojas de busturías  
 Manches pour bistouris, Lames de bistouris  
 Manici per bisturi, Lame per bisturi

# MINI

Verpackungseinheit / packing unit = 10 St./pc.



Fig. 61  
AD 065/61

Fig. 62  
AD 065/62

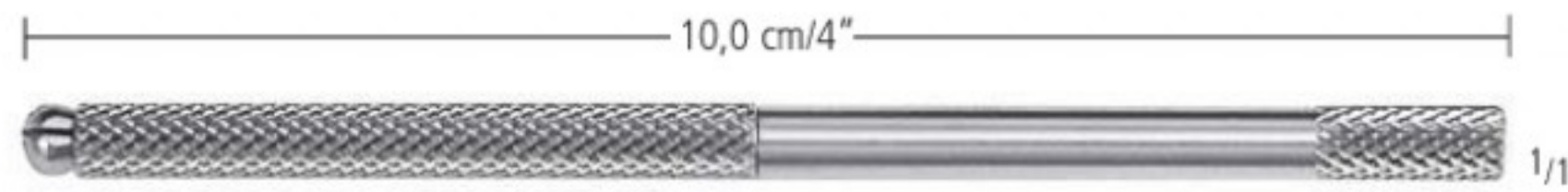
Fig. 62S  
AD 065/63

Fig. 64  
AD 065/64

Fig. 65  
AD 065/65

Fig. 67  
AD 065/67

Fig. 69  
AD 065/69



AD 065/10



AD 065/13



AD 065/15

AA  
AB  
AC  
AD  
AE  
AF  
AK  
AL  
AM  
AO  
AP  
AR  
KA  
KB  
KC  
KD  
KU  
KY



**AD SKALPELLE SCALPELS BISTURIES BISTOURIS BISTURI**

Skalpellklingen  
Scalpel Blades  
Hojas de bisturías  
Lames pour bistouris  
Lame per bisturi

passend für die Griffe  
for handles  
para los mangos  
pour les manches  
per i manici

AD 009/03  
AD 010/03  
AD 020/13  
AD 025/07  
AD 027/07  
AD 030/16  
AD 040/08



Fig.10  
AD 075/10



Fig.11  
AD 075/11



Fig.12d  
AD 076/12



Fig.15  
AD 075/15



Fig.15c  
AD 076/15



steril  
sterile  
estériles  
stériles  
sterili

passend für die Griffe  
for handles  
para los mangos  
pour les manches  
per i manici

AD 010/04  
AD 020/14  
AD 042/09



Fig.20  
AD 075/20



Fig.21  
AD 075/21



Fig.22  
AD 075/22



Fig.23  
AD 075/23



Fig.24  
AD 075/24



SKALPELLE SCALPELS BISTURIES BISTOURIS BISTURI

Operations-Skalpelle  
 Operating Knives  
 Bisturías para operaciones  
 Bistouris pour opérations  
 Bisturi per interventi



14,5 cm/5<sup>3</sup>/<sub>4</sub>"



Fig.1  
AD 200/01



Fig.3  
AD 200/03



Fig.5  
AD 200/05



Fig.7  
AD 200/07



Fig.9  
AD 200/09

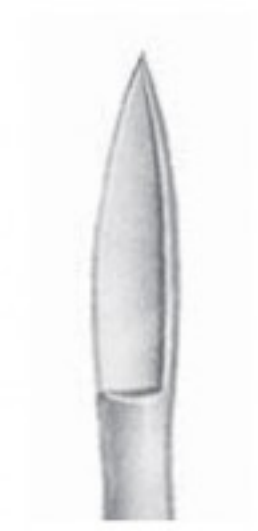


Fig.10  
AD 200/10



Fig.12  
AD 200/12



Fig.14  
AD 200/14



Fig.16  
AD 200/16



Fig.18  
AD 200/18

AA  
AB  
AC  
**AD**  
AE  
AF  
AK  
AL  
AM  
AO  
AP  
AR  
KA  
KB  
KC  
KD  
KU  
KY

Operations-Skalpelle  
 Operating Knives  
 Bisturías para operaciones  
 Bistouris pour opérations  
 Bisturi per interventi



**COLLIN**



Fig.1  
AD 220/01



Fig.2  
AD 220/02



Fig.3  
AD 220/03



Fig.4  
AD 220/04



Fig.5  
AD 220/05



Fig.6  
AD 220/06



SKALPELLE SCALPELS BISTURIES BISTOURIS BISTURI

Operations-Skalpelle  
 Operating Knives  
 Bisturías para operaciones  
 Bistouris pour opérations  
 Bisturi per interventi

AA  
 AB  
 AC  
**AD**  
 AE  
 AF  
 AK  
 AL  
 AM  
 AO  
 AP  
 AR  
 KA  
 KB  
 KC  
 KD  
 KU  
 KY



1/1

**DIEFFENBACH**



1/1

Fig.1  
AD 250/01



1/1

Fig.2  
AD 250/02



1/1

Fig.3  
AD 250/03



1/1

Fig.4  
AD 250/04



1/1

Fig.5  
AD 250/05



1/1

Fig.6  
AD 250/06



1/1

Fig.7  
AD 250/07



1/1

Fig.8  
AD 250/08



1/1

Fig.9  
AD 250/09



1/1

Fig.15  
AD 250/15



1/1

Fig.16  
AD 250/16

**AD** SKALPELLE SCALPELS BISTURIES BISTOURIS BISTURI

Amputationsmesser  
 Amputating Knives  
 Cuchillos para amputación  
 Couteaux à amputation  
 Coltelli per amputazione



Schnittlängen  
 length of blades  
 largos de hojas  
 longuers des lames  
 lunghezza delle lame

cm	in.
12,0	4 <sup>3/4</sup>
13,0	5
16,0	6 <sup>1/4</sup>
17,0	6 <sup>3/4</sup>
19,0	7 <sup>1/2</sup>
20,0	8
22,0	8 <sup>3/4</sup>
28,0	11

**COLLIN**

**CATLIN**

**LISTON**

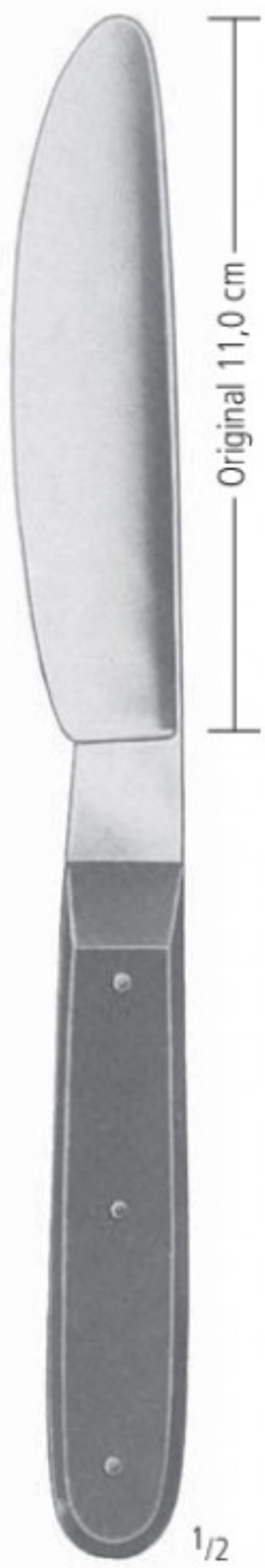
**LANGENBECK**

				AD 325/12
		AD 300/13		
		AD 300/16	AD 310/16	
				AD 320/17
		AD 300/19	AD 310/19	
				AD 320/20
		AD 300/22	AD 310/22	AD 320/22
		AD 300/28		

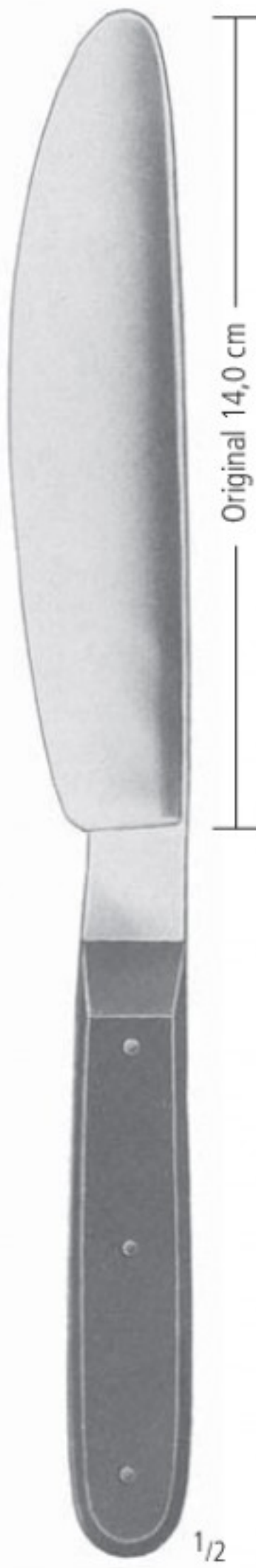


SKALPELLE SCALPELS BISTURIES BISTOURIS BISTURI

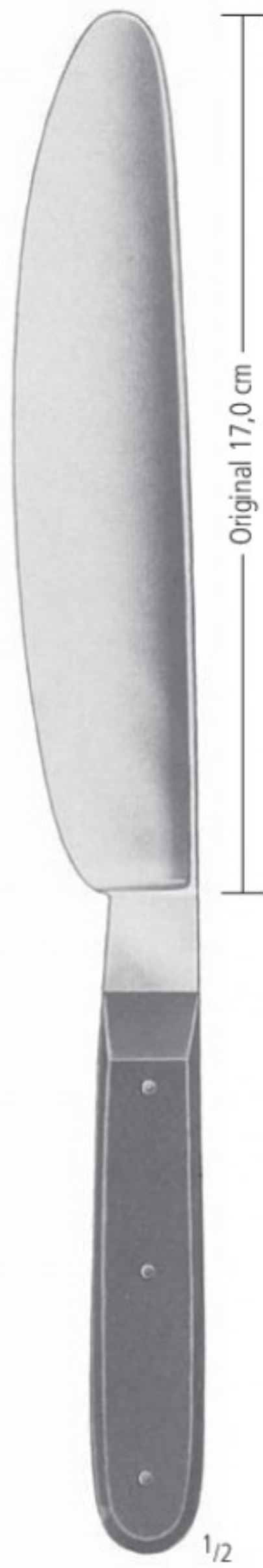
Organmesser, Hirnmesser  
 Post Mortem Knives, Brain Knives  
 Cuchillos para órganos y cerebro  
 Couteaux à autopsie et à cerveaux  
 Coltelli per autopsia e cervello



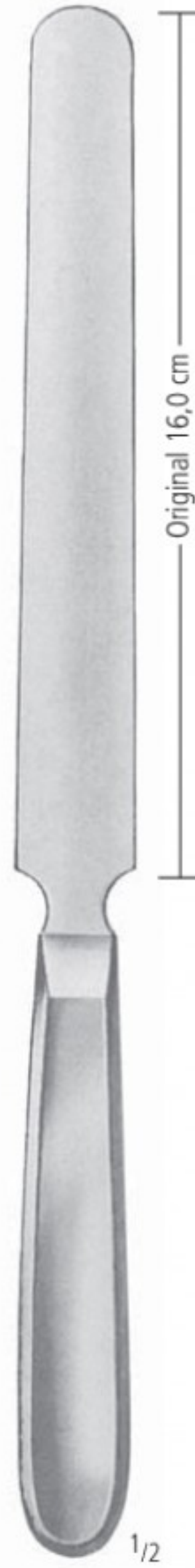
**WALB**  
AD 330/11



**WALB**  
AD 330/14



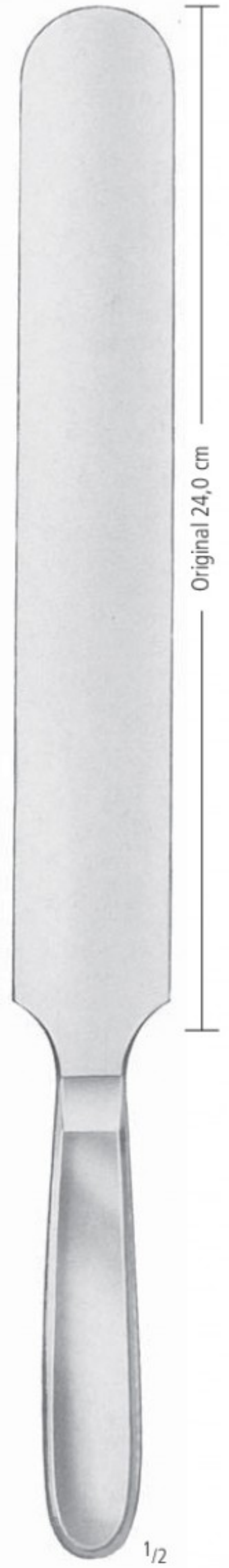
**WALB**  
AD 330/17



**VIRCHOW**  
AD 336/16



**VIRCHOW**  
AD 336/20

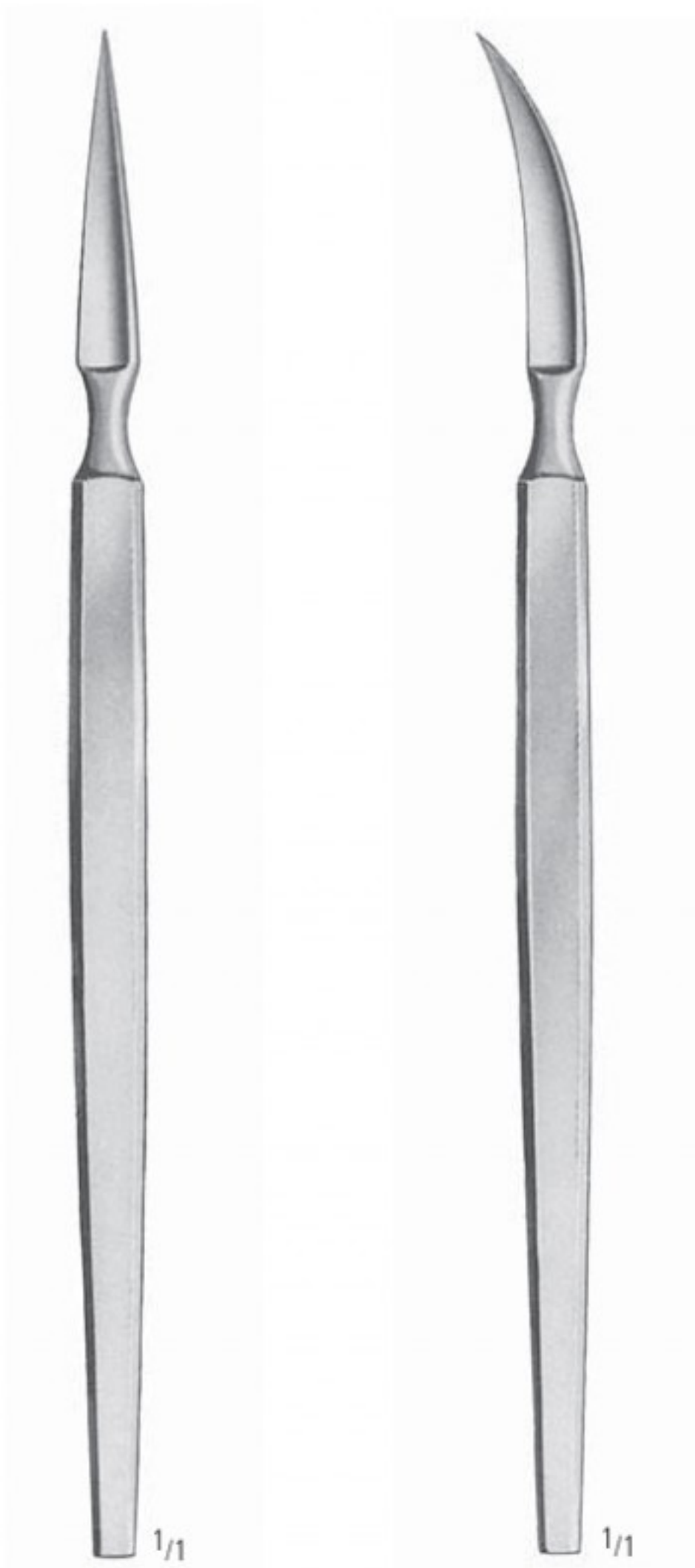


**VIRCHOW**  
AD 336/24

AA  
AB  
AC  
**AD**  
AE  
AF  
AG  
AH  
AI  
AJ  
AK  
AL  
AM  
AN  
AO  
AP  
AQ  
AR  
AS  
AT  
AU  
AV  
AW  
AX  
AY  
AZ  
BA  
BB  
BC  
BD  
BE  
BF  
BG  
BH  
BI  
BJ  
BK  
BL  
BM  
BN  
BO  
BP  
BQ  
BR  
BS  
BT  
BU  
BV  
BW  
BX  
BY  
CZ

**AD** SKALPELLE SCALPELS BISTURIES BISTOURIS BISTURI

Abszessmesser, Fistelmesser  
 Abscess Knives, Fistula Knives  
 Bisturías para abscesos y fistulas  
 Bistouris à abcès et fistules  
 Bisturi per ascessi e fistole



**DIEFFENBACH**  
 AD 400/13  
 13,0 cm/5"

**DIEFFENBACH**  
 AD 401/13  
 13,0 cm/5"



**SIMON**  
 23,5 cm/9 1/2"



Fig. 1  
 AD 430/01

Fig. 2  
 AD 430/02

Fig. 3  
 AD 430/03

Fig. 4  
 AD 430/04



SKALPELLE SCALPELS BISTURIES BISTOURIS BISTURI

Transplantationsmesser, Dermatome  
 Transplantation Knives, Dermatome  
 Cuchillos para transplatación, Dermatomo  
 Couteaux à transplantation, Dermatome  
 Coltelli per trapianti, Dermatomo



**THIERSCH**  
 AD 450/20  
 20,0 cm/8"



**REHN**  
 AD 455/25  
 25,0 cm/10"

AA  
 AB  
 AC  
**AD**  
 AE  
 AF  
 AK  
 AL  
 AM  
 AO  
 AP  
 AR  
 KA  
 KB  
 KC  
 KD  
 KU  
 KY

Dermatome  
Dermatomes  
Dermatomos  
Dermatomes  
Dermatomi

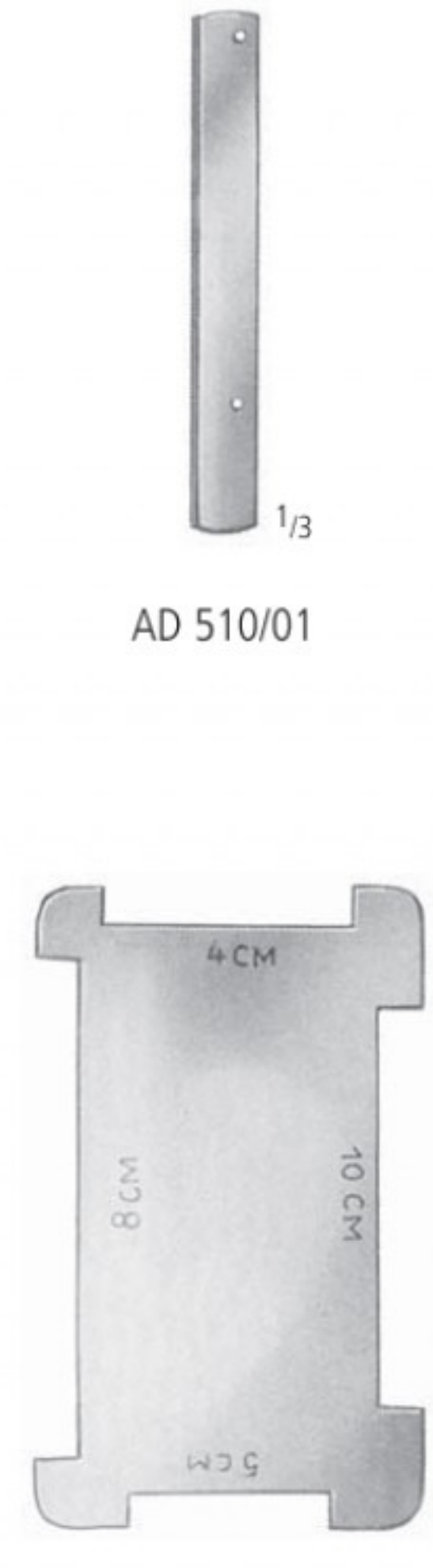


**WATSON**  
AD 495/30  
30,5 cm/12"  
0,1 - 2,0 mm

**HUMBY**  
AD 495/32  
32,0 cm/12<sup>3</sup>/<sub>4</sub>"  
0,1 - 1,2 mm



**SCHINK**  
AD 500/00  
30,0 cm/12"



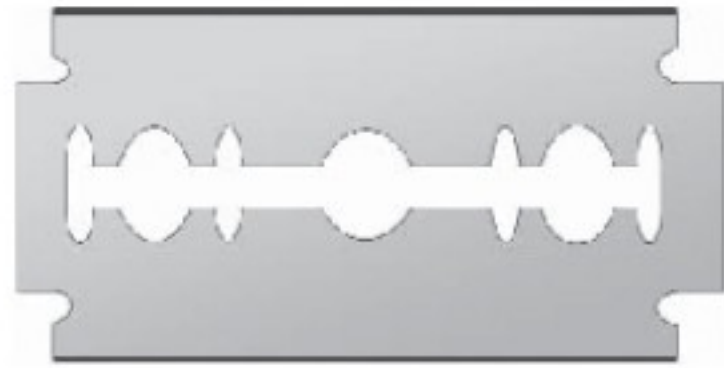
AD 510/01

AD 510/02



SKALPELLE SCALPELS BISTURIES BISTOURIS BISTURI

Rasierklngen, Klingenbrecher  
 Razor Blades, Blade Breakers  
 Hojas de afeitarr, Pinzas para romper hojas  
 Lames de rasoir, Pincettes pour casser les lames  
 Lamette da barba, Pinze per rompere la lamette



RASIERKLNGEN, VERPACKUNGSEINHEIT 10 STCK  
 RAZOR BLADES, PACKING UNIT 10 PIECES  
 HOJAS DE AFEITAR, UNIDAD DE VENTA 10 PZ  
 LAMES DE RASOIR, UNITÉ À 10 PIÈCES  
 LAMETTE DA BARBA, UNITÀ DI VENDITA 10 PZ

AD 540/00



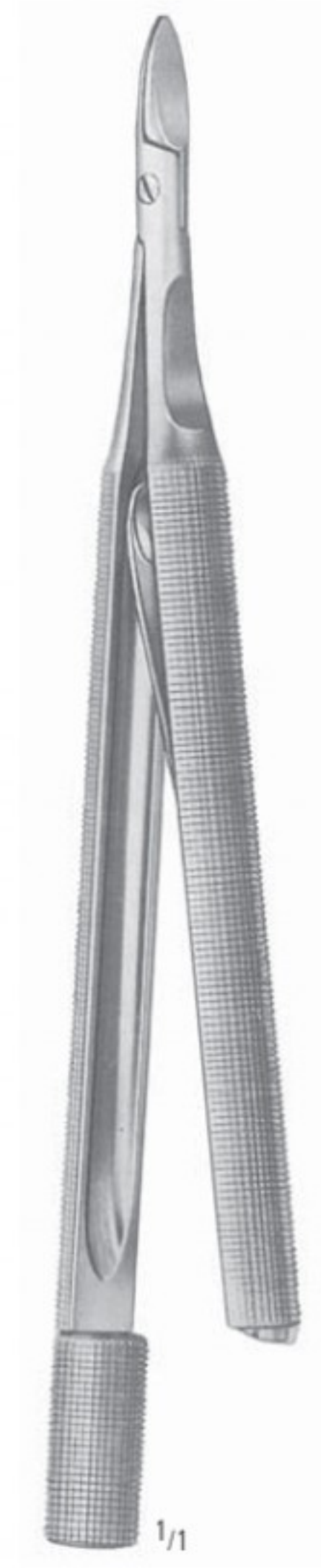
**TROUTMAN-CHRIS**  
 AD 550/09  
 Ø 5,5 mm  
 9,0 cm/3 1/2"



**TROUTMAN-CHRIS**  
 AD 551/09  
 Ø 5,5 mm  
 9,0 cm/3 1/2"



AD 552/11  
 11,0 cm/4 1/3"



**CASTROVIEJO**  
 AD 554/13  
 Ø 8 mm  
 13,0 cm/5"

AA  
 AB  
 AC  
 AD  
 AE  
 AF  
 AG  
 AH  
 AI  
 AJ  
 AK  
 AL  
 AM  
 AN  
 AO  
 AP  
 AQ  
 AR  
 AS  
 AT  
 AU  
 AV  
 AW  
 AX  
 AY  
 AZ

