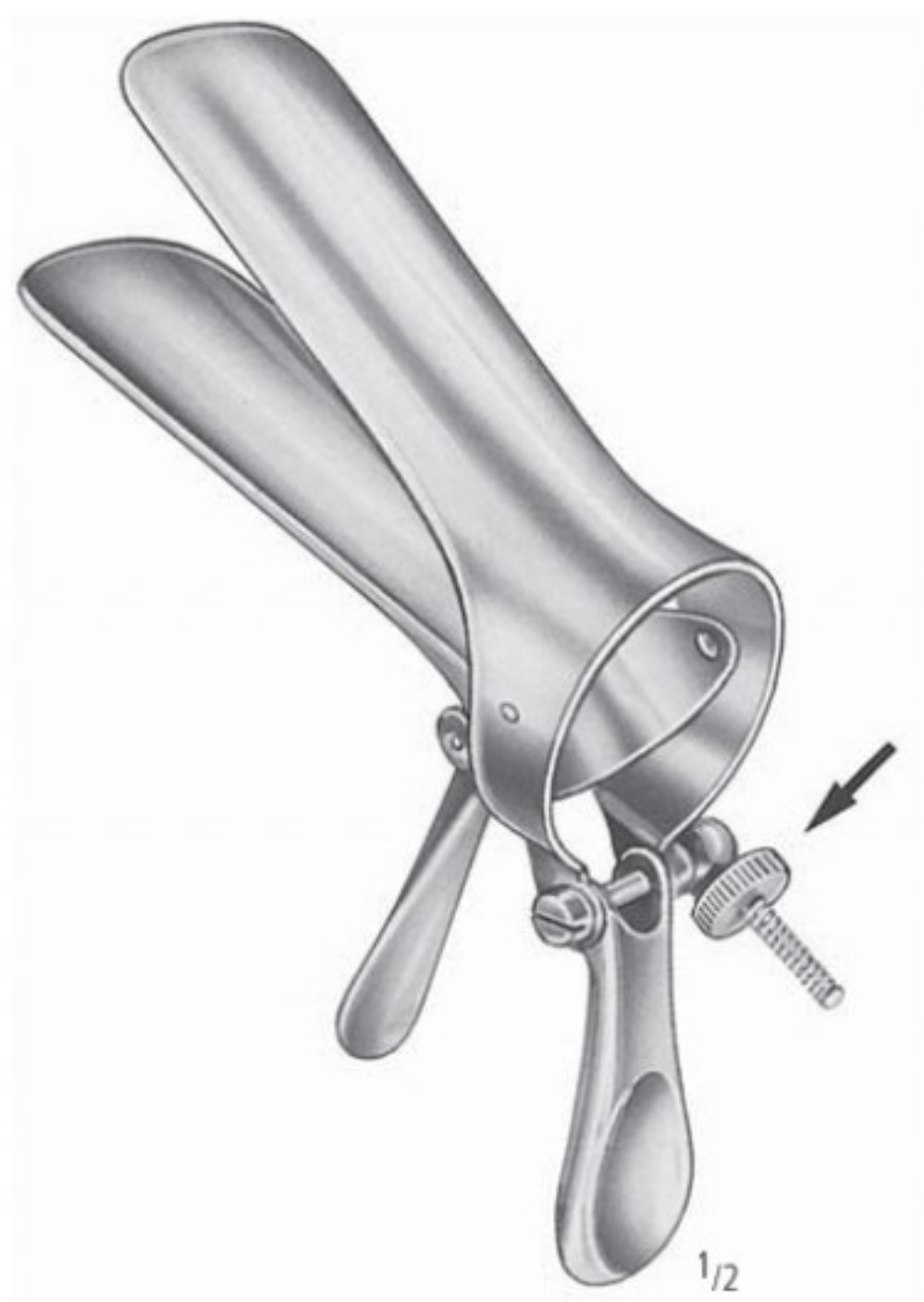

GYNÄKOLOGIE
GYNECOLOGY
GINECOLOGIA
GYNECOLOGIE
GINECOLOGIA

KB

nopa[®] instruments

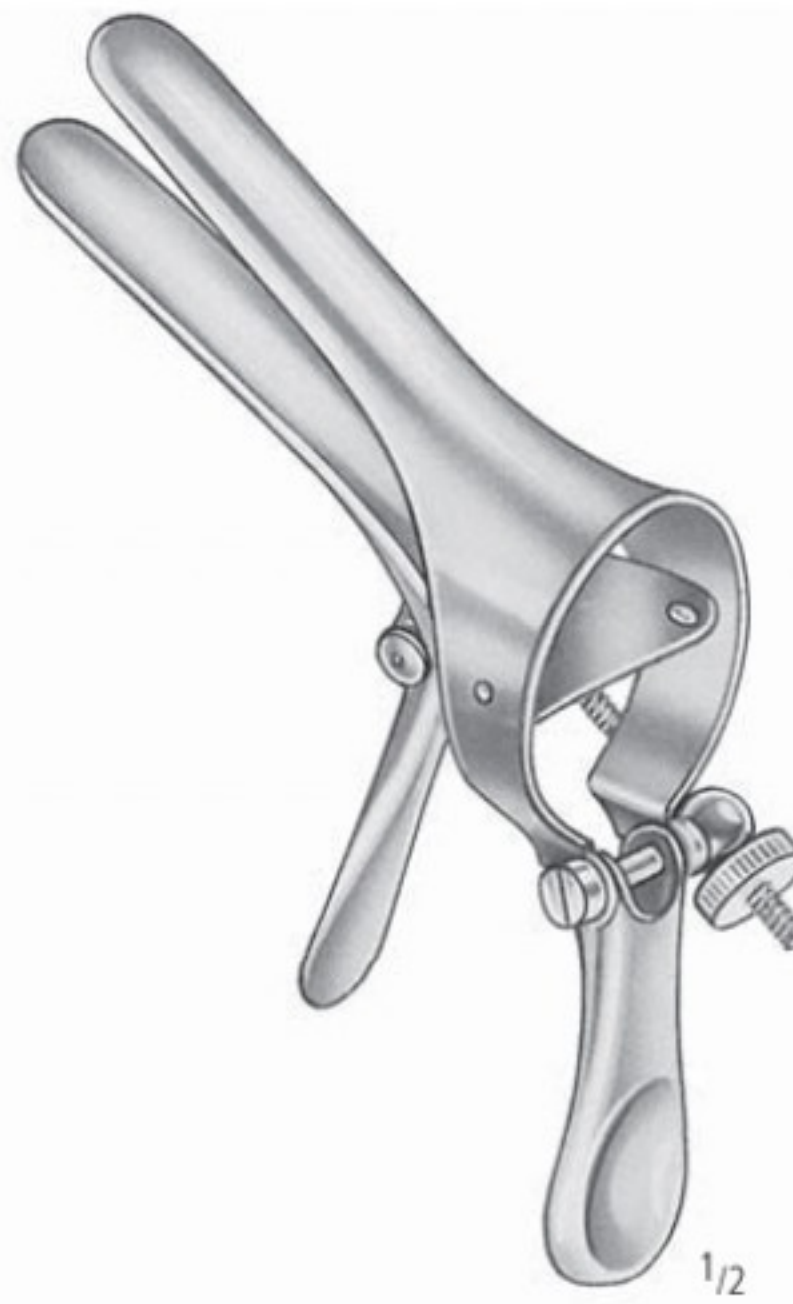


Scheidenspekula
Vaginal Specula
Espéculos vaginales
Spéculums vaginaux
Specoli vaginali



CUSCO

75 x 32 mm KB 020/01
85 x 35 mm KB 020/02
100 x 35 mm KB 020/03



CUSCO-VIRGIN

KB 022/00
75 x 17 mm



CUSCO-SUISSE

80 x 22 mm KB 024/01
100 x 25 mm KB 024/02
105 x 27 mm KB 024/03

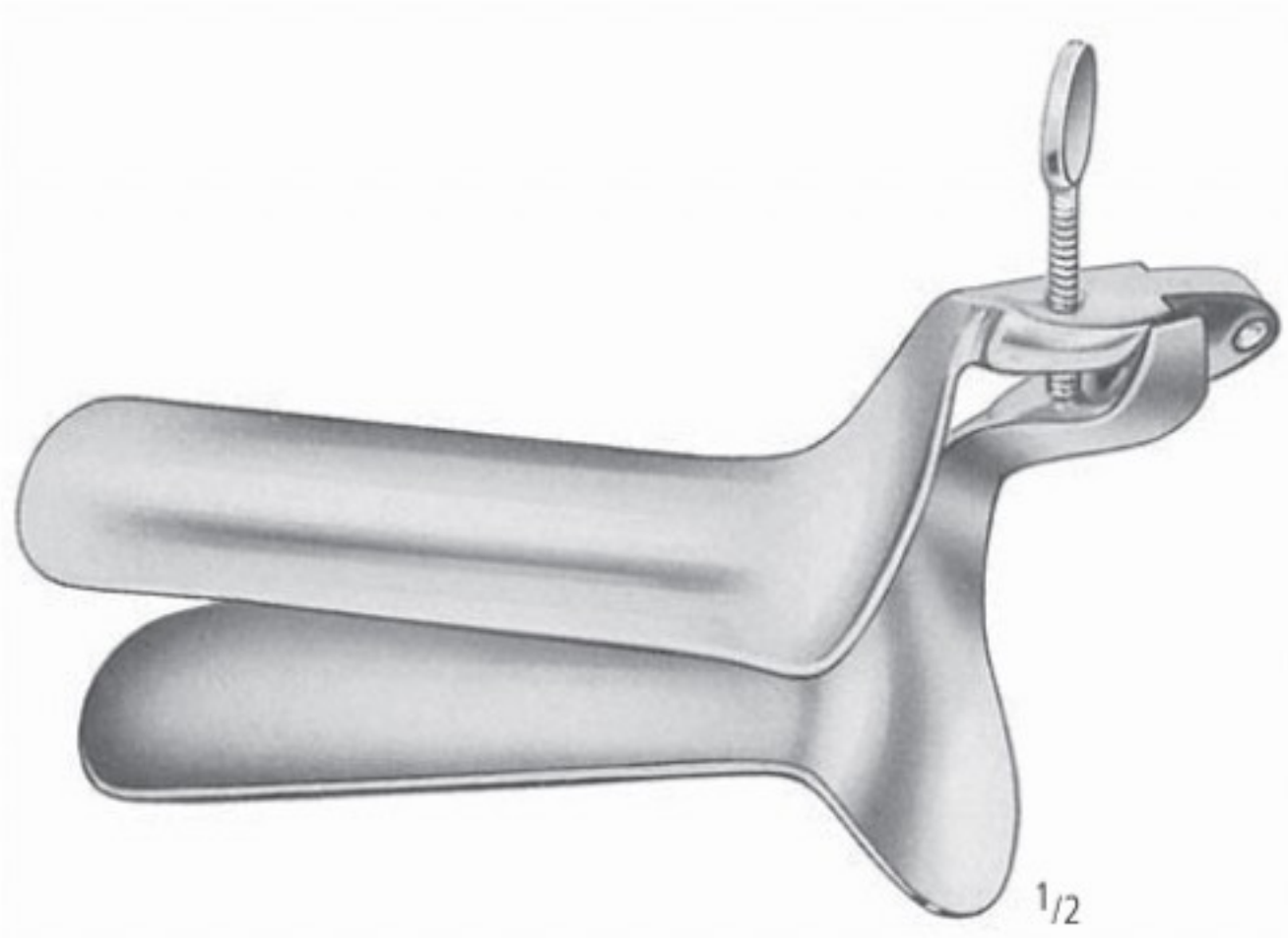


CUSCO

74 x 32 mm KB 026/01
85 x 35 mm KB 026/02
100 x 37 mm KB 026/03

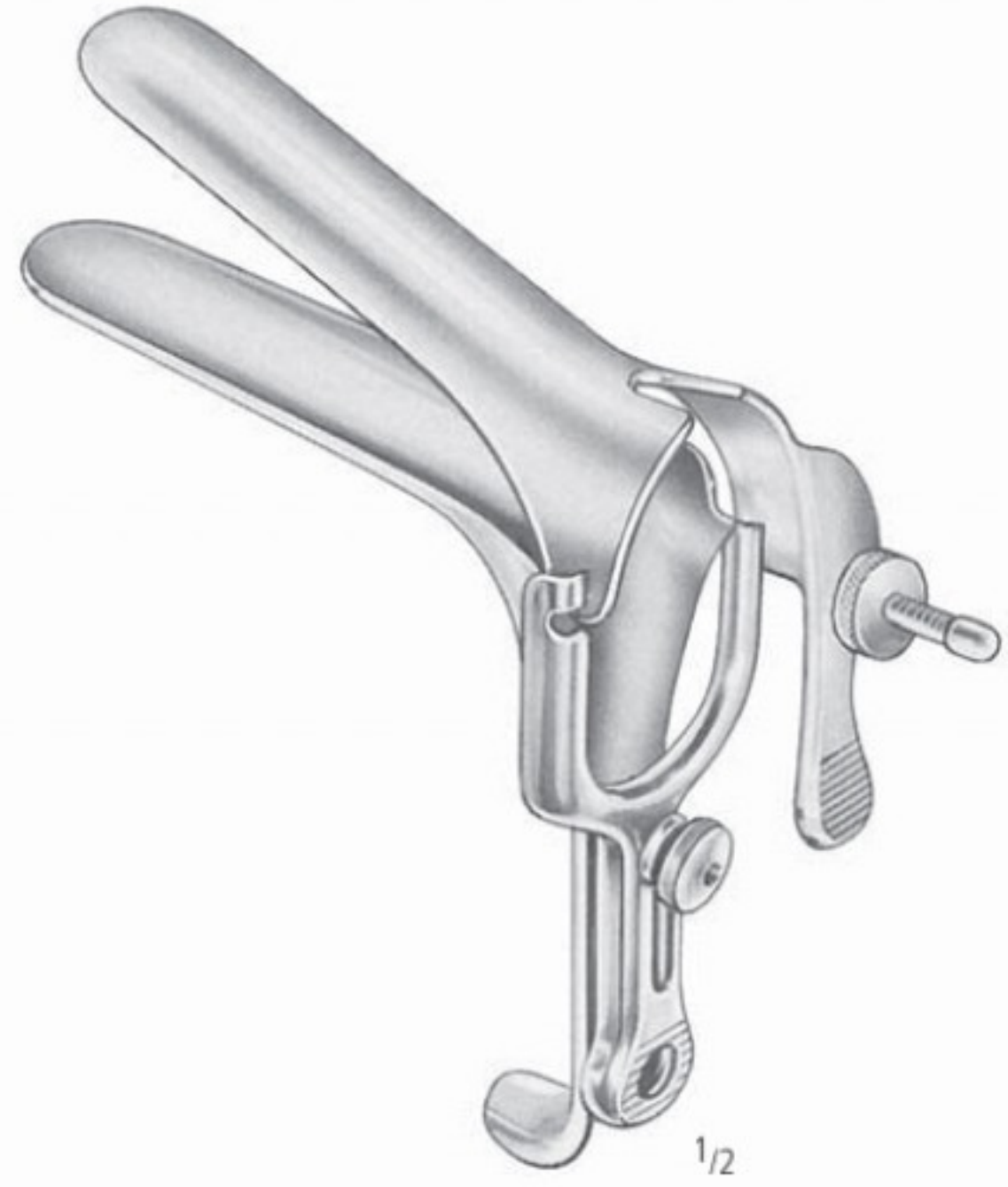
AA
AB
AC
AD
AE
AF
AK
AL
AM
AO
AP
AR
KA
KB
KC
KD
KU
KY

Scheidenspekula
 Vaginal Specula
 Espéculos vaginales
 Spéculums vaginaux
 Specoli vaginali



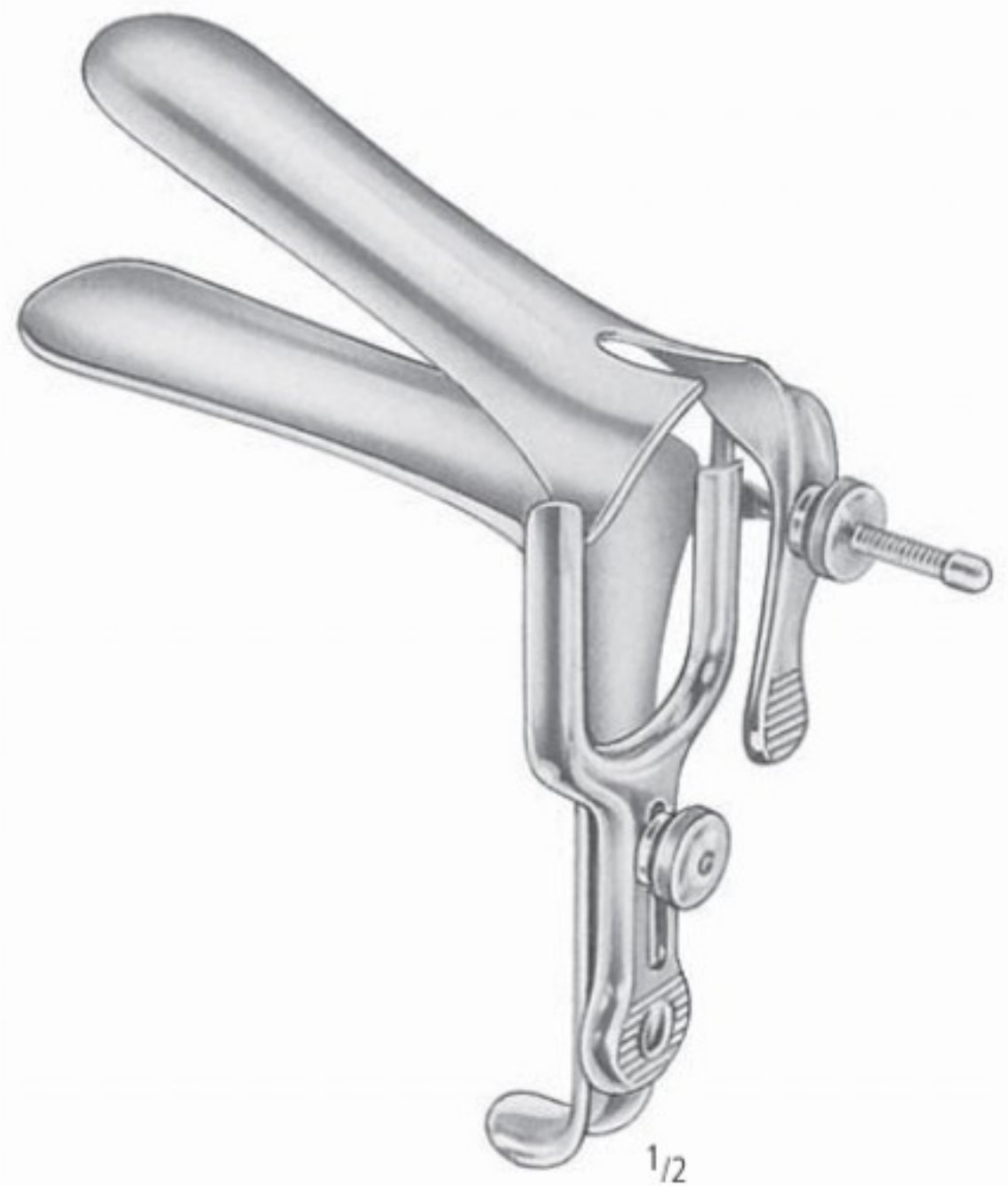
COLLIN

85 x 30 mm	KB 030/01
100 x 35 mm	KB 030/02
110 x 40 mm	KB 030/03



PEDERSON

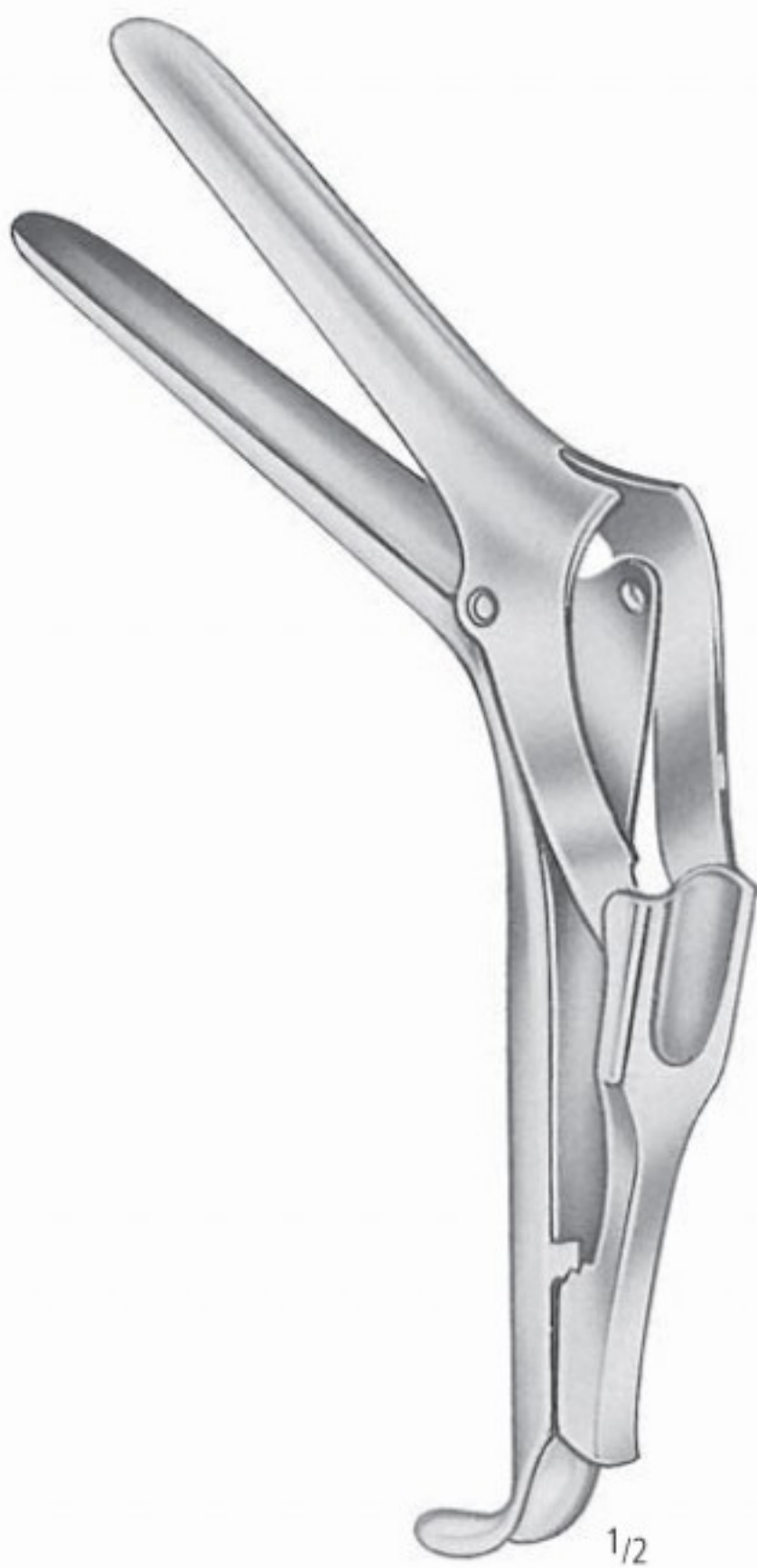
75 x 13 mm	KB 038/01
100 x 22 mm	KB 038/02
120 x 25 mm	KB 038/03



GRAVE

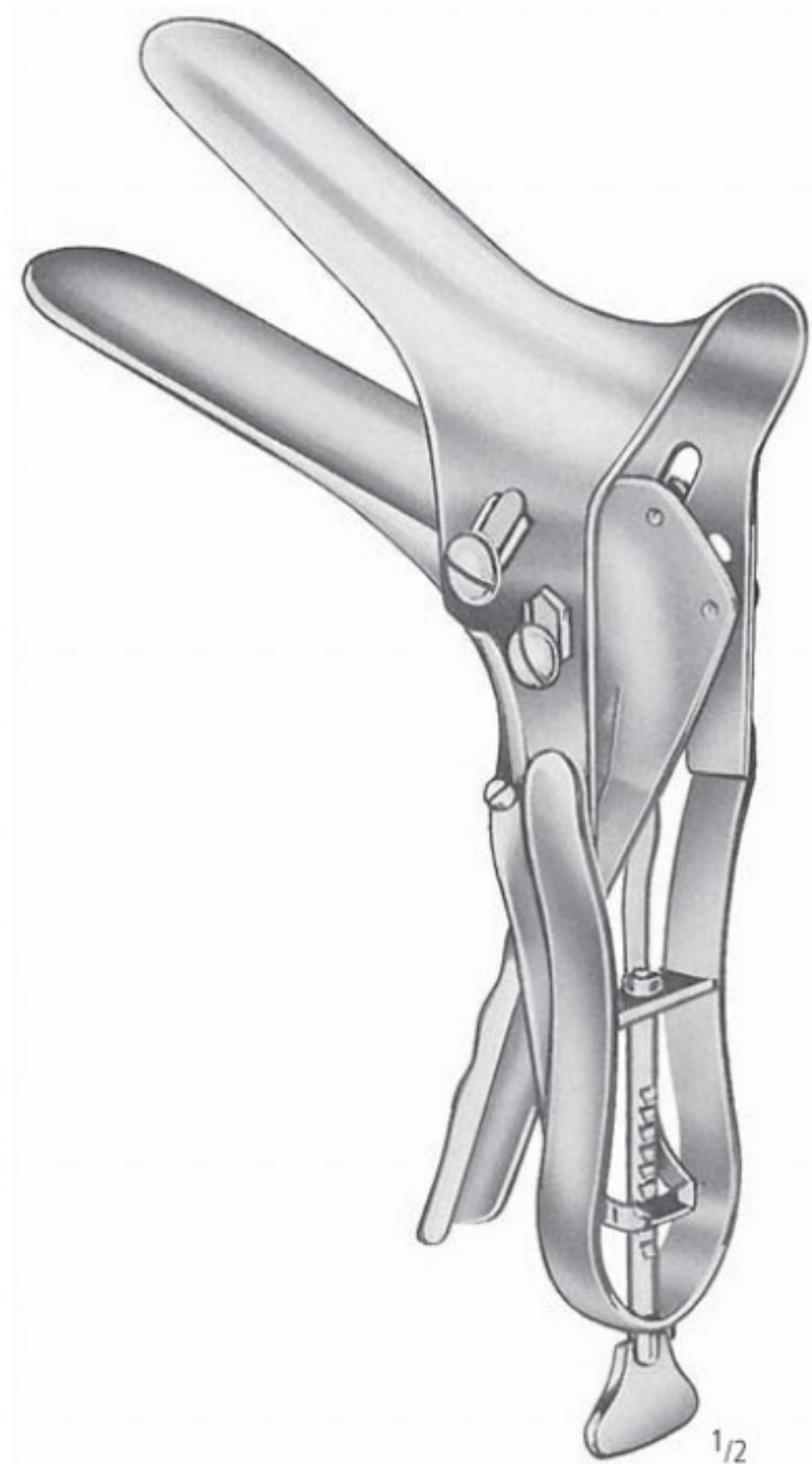
75 x 20 mm	KB 040/01
95 x 35 mm	KB 040/02
115 x 35 mm	KB 040/03

Scheidenspekula
 Vaginal Specula
 Espécules vaginales
 Spéculums vaginaux
 Specoli vaginali



SEMM

90 x 14/18 mm KB 042/00
 100 x 17/20 mm KB 042/01
 100 x 25/30 mm KB 042/02



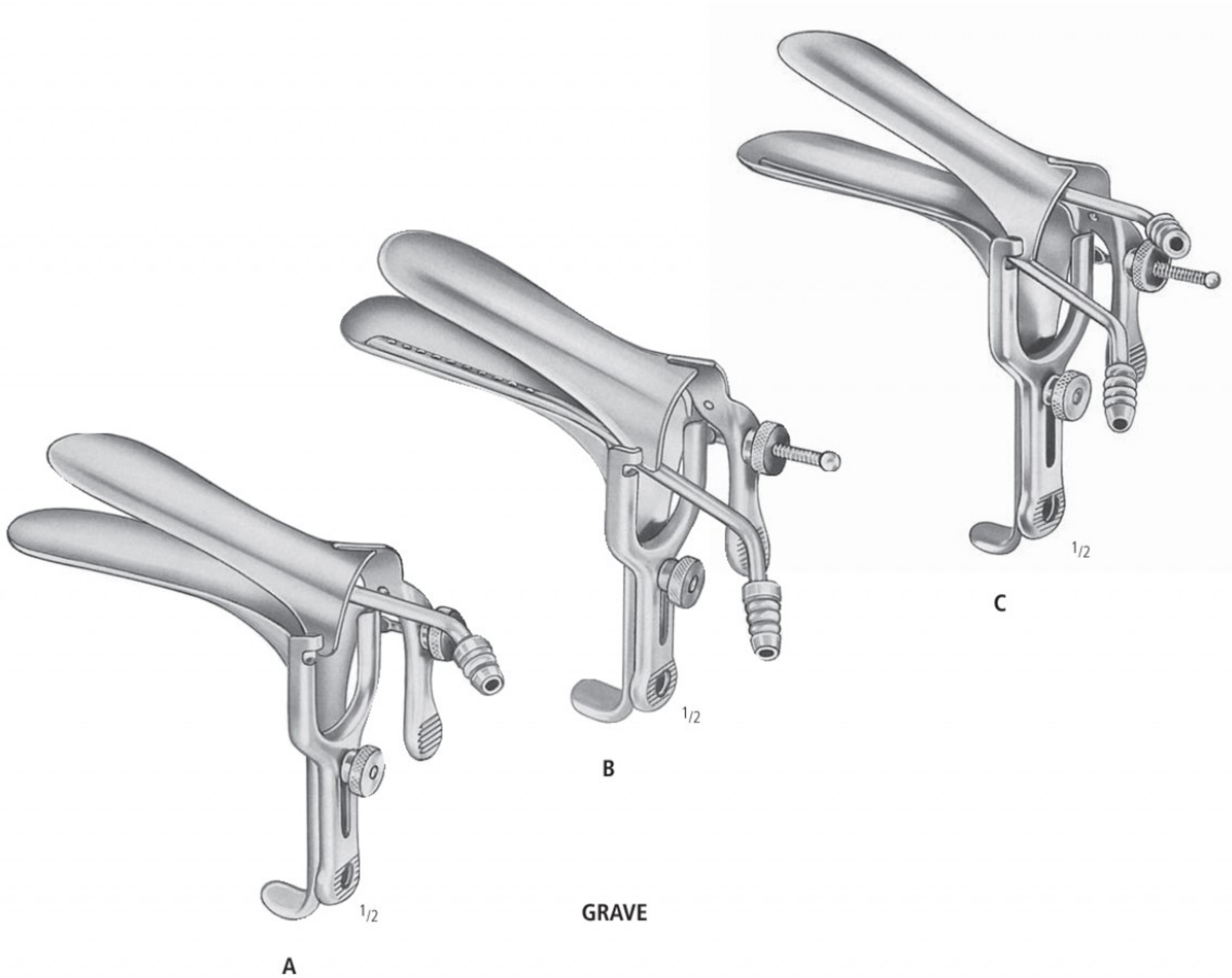
SEYFFERT

100 x 17 mm KB 043/01
 110 x 33 mm KB 043/02

AA
 AB
 AC
 AD
 AE
 AF
 AG
 AH
 AI
 AJ
 AK
 AL
 AM
 AN
 AO
 AP
 AQ
 AR
 AS
 AT
 AU
 AV
 AW
 AX
 AY
 AZ
 BA
 BB
 BC
 BD
 BE
 BF
 BG
 BH
 BI
 BJ
 BK
 BL
 BM
 BN
 BO
 BP
 BQ
 BR
 BS
 BT
 BU
 BV
 BW
 BX
 BY
 BZ
 CA
 CB
 CC
 CD
 CE
 CF
 CG
 CH
 CI
 CJ
 CK
 CL
 CM
 CN
 CO
 CP
 CQ
 CR
 CS
 CT
 CU
 CV
 CW
 CX
 CY
 CZ
 DA
 DB
 DC
 DD
 DE
 DF
 DG
 DH
 DI
 DJ
 DK
 DL
 DM
 DN
 DO
 DP
 DQ
 DR
 DS
 DT
 DU
 DV
 DW
 DX
 DY
 DZ
 EA
 EB
 EC
 ED
 EE
 EF
 EG
 EH
 EI
 EJ
 EK
 EL
 EM
 EN
 EO
 EP
 EQ
 ER
 ES
 ET
 EU
 EV
 EW
 EX
 EY
 EZ
 FA
 FB
 FC
 FD
 FE
 FF
 FG
 FH
 FI
 FJ
 FK
 FL
 FM
 FN
 FO
 FP
 FQ
 FR
 FS
 FT
 FU
 FV
 FW
 FX
 FY
 FZ
 GA
 GB
 GC
 GD
 GE
 GF
 GG
 GH
 GI
 GJ
 GK
 GL
 GM
 GN
 GO
 GP
 GQ
 GR
 GS
 GT
 GU
 GV
 GW
 GX
 GY
 GZ
 HA
 HB
 HC
 HD
 HE
 HF
 HG
 HH
 HI
 HJ
 HK
 HL
 HM
 HN
 HO
 HP
 HQ
 HR
 HS
 HT
 HU
 HV
 HW
 HX
 HY
 HZ
 IA
 IB
 IC
 ID
 IE
 IF
 IG
 IH
 II
 IJ
 IK
 IL
 IM
 IN
 IO
 IP
 IQ
 IR
 IS
 IT
 IU
 IV
 IW
 IX
 IY
 IZ
 JA
 JB
 JC
 JD
 JE
 JF
 JG
 JH
 JI
 JJ
 JK
 JL
 JM
 JN
 JO
 JP
 JQ
 JR
 JS
 JT
 JU
 JV
 JW
 JX
 JY
 JZ
 KA
 KB
 KC
 KD
 KE
 KF
 KG
 KH
 KI
 KJ
 KK
 KL
 KM
 KN
 KO
 KP
 KQ
 KR
 KS
 KT
 KU
 KV
 KW
 KX
 KY
 KZ
 LA
 LB
 LC
 LD
 LE
 LF
 LG
 LH
 LI
 LJ
 LK
 LL
 LM
 LN
 LO
 LP
 LQ
 LR
 LS
 LT
 LU
 LV
 LW
 LX
 LY
 LZ
 MA
 MB
 MC
 MD
 ME
 MF
 MG
 MH
 MI
 MJ
 MK
 ML
 MM
 MN
 MO
 MP
 MQ
 MR
 MS
 MT
 MU
 MV
 MW
 MX
 MY
 MZ
 NA
 NB
 NC
 ND
 NE
 NF
 NG
 NH
 NI
 NJ
 NK
 NL
 NM
 NN
 NO
 NP
 NQ
 NR
 NS
 NT
 NU
 NV
 NW
 NX
 NY
 NZ
 OA
 OB
 OC
 OD
 OE
 OF
 OG
 OH
 OI
 OJ
 OK
 OL
 OM
 ON
 OO
 OP
 OQ
 OR
 OS
 OT
 OU
 OV
 OW
 OX
 OY
 OZ
 PA
 PB
 PC
 PD
 PE
 PF
 PG
 PH
 PI
 PJ
 PK
 PL
 PM
 PN
 PO
 PP
 PQ
 PR
 PS
 PT
 PU
 PV
 PW
 PX
 PY
 PZ
 QA
 QB
 QC
 QD
 QE
 QF
 QG
 QH
 QI
 QJ
 QK
 QL
 QM
 QN
 QO
 QP
 QQ
 QR
 QS
 QT
 QU
 QV
 QW
 QX
 QY
 QZ
 RA
 RB
 RC
 RD
 RE
 RF
 RG
 RH
 RI
 RJ
 RK
 RL
 RM
 RN
 RO
 RP
 RQ
 RR
 RS
 RT
 RU
 RV
 RW
 RX
 RY
 RZ
 SA
 SB
 SC
 SD
 SE
 SF
 SG
 SH
 SI
 SJ
 SK
 SL
 SM
 SN
 SO
 SP
 SQ
 SR
 SS
 ST
 SU
 SV
 SW
 SX
 SY
 SZ
 TA
 TB
 TC
 TD
 TE
 TF
 TG
 TH
 TI
 TJ
 TK
 TL
 TM
 TN
 TO
 TP
 TQ
 TR
 TS
 TT
 TU
 TV
 TW
 TX
 TY
 TZ
 UA
 UB
 UC
 UD
 UE
 UF
 UG
 UH
 UI
 UJ
 UK
 UL
 UM
 UN
 UO
 UP
 UQ
 UR
 US
 UT
 UY
 UZ
 VA
 VB
 VC
 VD
 VE
 VF
 VG
 VH
 VI
 VJ
 VK
 VL
 VM
 VN
 VO
 VP
 VQ
 VR
 VS
 VT
 VU
 VV
 VW
 VX
 VY
 VZ
 WA
 WB
 WC
 WD
 WE
 WF
 WG
 WH
 WI
 WJ
 WK
 WL
 WM
 WN
 WO
 WP
 WQ
 WR
 WS
 WT
 WU
 WV
 WW
 WX
 WY
 WZ
 XA
 XB
 XC
 XD
 XE
 XF
 XG
 XH
 XI
 XJ
 XK
 XL
 XM
 XN
 XO
 XP
 XQ
 XR
 XS
 XT
 XU
 XV
 XW
 XX
 XY
 XZ
 YA
 YB
 YC
 YD
 YE
 YF
 YG
 YH
 YI
 YJ
 YK
 YL
 YM
 YN
 YO
 YP
 YQ
 YR
 YS
 YT
 YU
 YV
 YW
 YX
 YZ
 ZA
 ZB
 ZC
 ZD
 ZE
 ZF
 ZG
 ZH
 ZI
 ZJ
 ZK
 ZL
 ZM
 ZN
 ZO
 ZP
 ZQ
 ZR
 ZS
 ZT
 ZU
 ZV
 ZW
 ZX
 ZY
 ZZ

KB

Scheidenspekula mit Absaugung
 Vaginal Specula with Suction Tube
 Espécules vaginales con tubo de succión
 Spéculums vaginaux avec canule d'aspiration
 Specoli vaginali con tubo d'aspirazione

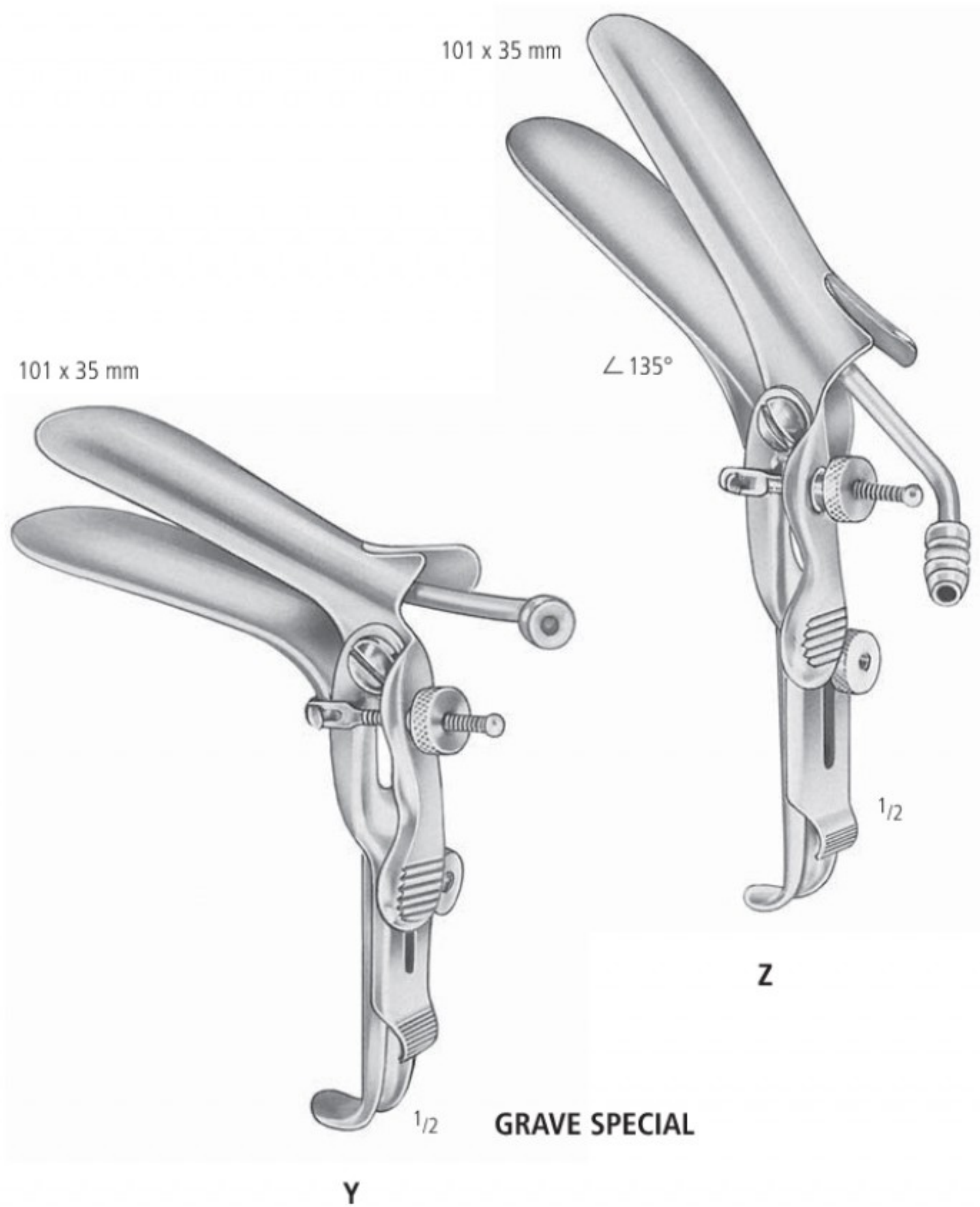


- A** Absaugung am oberen Blatt
 Suction tube on upper blade
 Tubo de succión a la valva superior
 Canule d'aspiration à la lame supérieure
 Canula d'aspirazione alla valva superiore
- B** Absaugung am unteren Blatt
 Suction tube on lower blade
 Tubo de succión a la valva inferior
 Canule d'aspiration à la lame inférieure
 Canula d'aspirazione alla valva inferiore
- C** Absaugung am oberen und unteren Blatt
 Suction tube on upper and lower blade
 Tubo de succión a la valva superior y inferior
 Canule d'aspiration à la lame supérieure et inférieure
 Canula d'aspirazione alla valva superiore e inferiore

	A	B	C
76 x 13 mm	KB 045/11	KB 045/21	KB 045/31
120 x 35 mm	KB 045/13	KB 045/23	KB 045/33

GYNÄKOLOGIE GYNECOLOGY GINECOLOGIA GYNECOLOGIE GINECOLOGIA

Scheidenspekula mit Absaugung
 Vaginal Specula with Suction Tube
 Espécules vaginales con tubo de succión
 Spéculums vaginaux avec canule d'aspiration
 Specoli vaginali con tubo d'aspirazione



A Absaugung am oberen Blatt
 Suction tube on upper blade
 Tubo de succión a la valva superior
 Canule d'aspiration à la lame supérieure
 Canula d'aspirazione alla valva superiore

B Absaugung am unteren Blatt
 Suction tube on lower blade
 Tubo de succión a la valva inferior
 Canule d'aspiration à la lame inférieure
 Canula d'aspirazione alla valva inferiore

C Absaugung am oberen und unteren Blatt
 Suction tube on upper and lower blade
 Tubo de succión a la valva superior y inferior
 Canule d'aspiration à la lame supérieure et inférieure
 Canula d'aspirazione alla valva superiore e inferiore

Y Rechte Seite offen
 Right side open
 Apertura lateral derecha
 Ouverture à droite
 Lato destro aperto

Z 135° abgewinkelt und rechte Seite offen
 135° angled and right side open
 Angulo de 135° y apertura lateral derecha
 Angulation 135° et ouverture à droite
 Angolato 135° e lato destro aperto

	Y	Z
A	KB 046/12	KB 046/13
B	KB 046/22	KB 046/23
C	KB 046/32	KB 046/33

AA
AB
AC
AD
AE
AF
AK
AL
AM
AO
AP
AR
KA
KB
KC
KD
KU
KY

Scheidenspekula mit Absaugung
 Vaginal Specula with Suction Tube
 Espécules vaginales con tubo de succión
 Spéculums vaginaux avec canule d'aspiration
 Specoli vaginali con tubo d'aspirazione



A Absaugung am oberen Blatt
 Suction tube on upper blade
 Tubo de succión a la valva superior
 Canule d'aspiration à la lame supérieure
 Canula d'aspirazione alla valva superiore

76 x 13 mm
 101 x 22 mm
 120 x 25 mm

A

KB 047/11
 KB 047/12
 KB 047/13

B

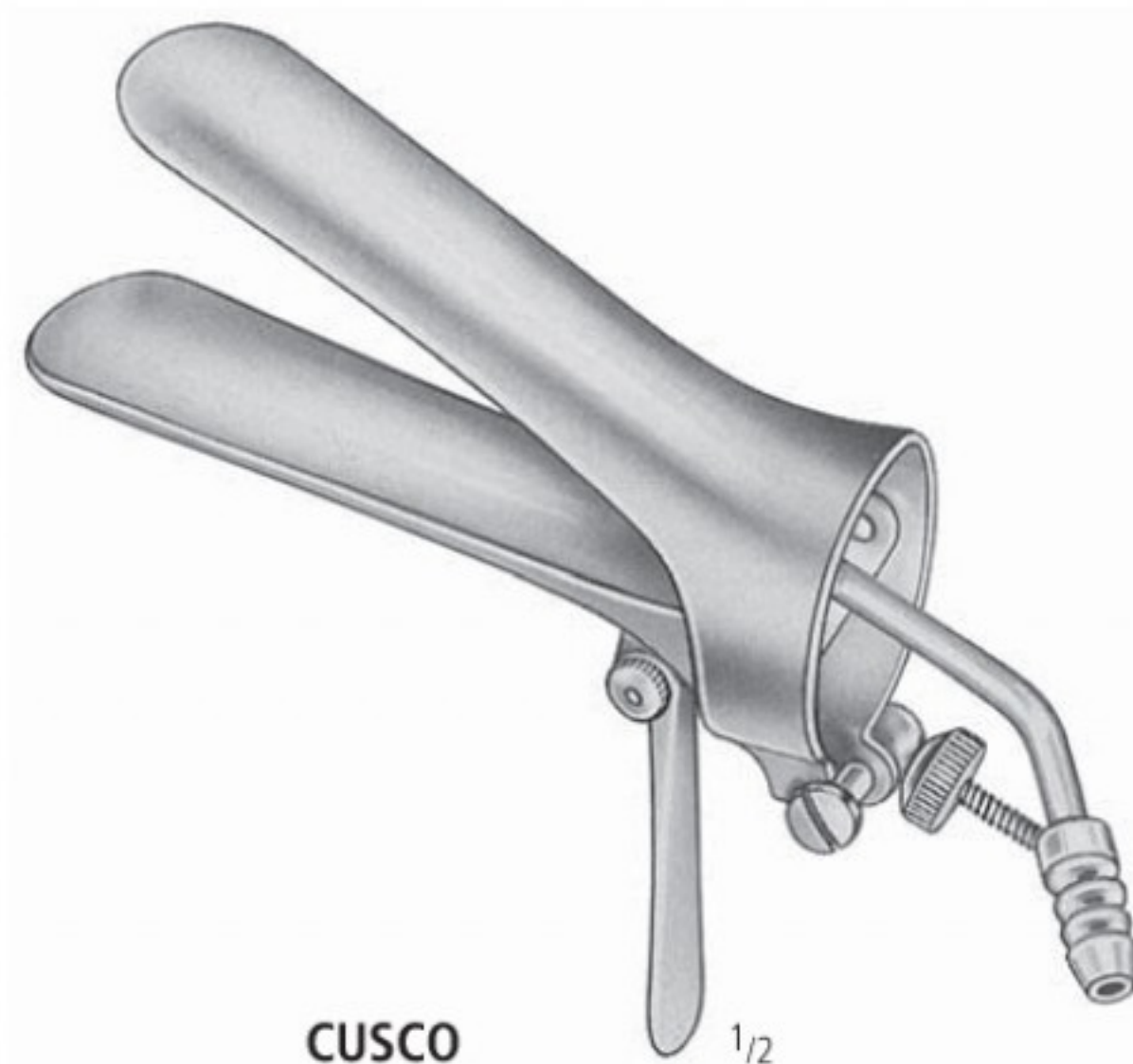
KB 047/21
 KB 047/22
 KB 047/23

C

KB 047/31
 KB 047/32
 KB 047/33

B Absaugung am unteren Blatt
 Suction tube on lower blade
 Tubo de succión a la valva inferior
 Canule d'aspiration à la lame inférieure
 Canula d'aspirazione alla valva inferiore

C Absaugung am oberen und unteren Blatt
 Suction tube on upper and lower blade
 Tubo de succión a la valva superior y inferior
 Canule d'aspiration à la lame supérieure et inférieure
 Canula d'aspirazione alla valva superiore e inferiore



105 x 25 mm
 107 x 29 mm
 115 x 35 mm

A

KB 048/11
 KB 048/12
 KB 048/13

B

KB 048/21
 KB 048/22
 KB 048/23

C

KB 048/31
 KB 048/32
 KB 048/33

Alle Spekula mit Absaugung sind auch in schwarz verchromter Ausführung lieferbar. Für die Bestellung fügen Sie bitte den Buchstaben B zur normalen Katalognummer hinzu.
 Zum Beispiel: KB 045/11 B.

All specula with suction are also available in a black finish. For ordering kindly add the letter B to the regular catalogue number.
 For example: KB 045/11 B.

Todos los espéculos con tubo de succión también están disponibles en acabado negro. Al ordenar, por favor añada la letra B a nuestro número de catálogo normal.
 Por ejemplo: KB 045/11 B.

Tous les spéculums avec canule d'aspiration sont également disponibles en finition noire. Pour commander indiquer la lettre B après la référence normale du catalogue.
 Par exemple: KB 045/11 B.

Tutti gli specoli con tubo d'aspirazione sono anche disponibili con finitura di colore nero. Per gli ordinativi di acquisto, aggiungere la lettera B al numero di catalogo normale.
 Per esempio: KB 045/11 B.

Scheidenspekula
 Vaginal Specula
 Espécules vaginales
 Spéculums vaginaux
 Specoli vaginali



SIMS
 KB 050/01
 60 x 25/30 mm



SIMS
 KB 050/02
 70 x 30/35 mm

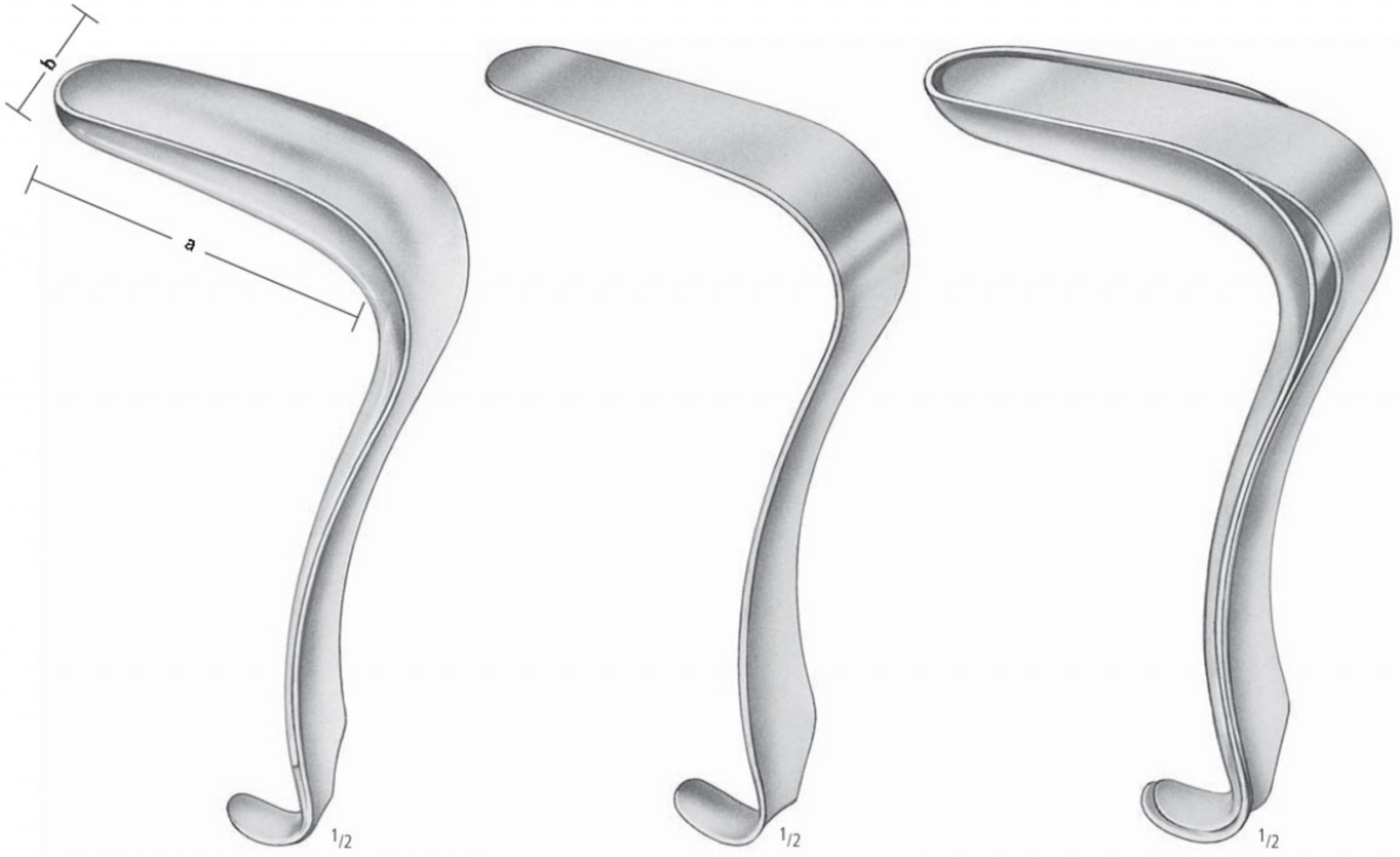


SIMS
 KB 050/03
 80 x 35/40 mm

KB 050/00 = KB 050/01
 KB 050/02
 KB 050/03

AA
 AB
 AC
 AD
 AE
 AF
 AG
 AH
 AI
 AJ
 AK
 AL
 AM
 AN
 AO
 AP
 AQ
 AR
 AS
 AT
 AU
 AV
 AW
 AX
 AY
 AZ
 BA
 BB
 BC
 BD
 BE
 BF
 BG
 BH
 BI
 BJ
 BK
 BL
 BM
 BN
 BO
 BP
 BQ
 BR
 BS
 BT
 BU
 BV
 BW
 BX
 BY
 BZ
 CA
 CB
 CC
 CD
 CE
 CF
 CG
 CH
 CI
 CJ
 CK
 CL
 CM
 CN
 CO
 CP
 CQ
 CR
 CS
 CT
 CU
 CV
 CW
 CX
 CY
 CZ
 DA
 DB
 DC
 DD
 DE
 DF
 DG
 DH
 DI
 DJ
 DK
 DL
 DM
 DN
 DO
 DP
 DQ
 DR
 DS
 DT
 DU
 DV
 DW
 DX
 DY
 DZ
 EA
 EB
 EC
 ED
 EE
 EF
 EG
 EH
 EI
 EJ
 EK
 EL
 EM
 EN
 EO
 EP
 EQ
 ER
 ES
 ET
 EU
 EV
 EW
 EX
 EY
 EZ
 FA
 FB
 FC
 FD
 FE
 FF
 FG
 FH
 FI
 FJ
 FK
 FL
 FM
 FN
 FO
 FP
 FQ
 FR
 FS
 FT
 FU
 FV
 FW
 FX
 FY
 FZ
 GA
 GB
 GC
 GD
 GE
 GF
 GG
 GH
 GI
 GJ
 GK
 GL
 GM
 GN
 GO
 GP
 GQ
 GR
 GS
 GT
 GU
 GV
 GW
 GX
 GY
 GZ
 HA
 HB
 HC
 HD
 HE
 HF
 HG
 HH
 HI
 HJ
 HK
 HL
 HM
 HN
 HO
 HP
 HQ
 HR
 HS
 HT
 HU
 HV
 HW
 HX
 HY
 HZ
 IA
 IB
 IC
 ID
 IE
 IF
 IG
 IH
 II
 IJ
 IK
 IL
 IM
 IN
 IO
 IP
 IQ
 IR
 IS
 IT
 IU
 IV
 IW
 IX
 IY
 IZ
 JA
 JB
 JC
 JD
 JE
 JF
 JG
 JH
 JI
 JJ
 JK
 JL
 JM
 JN
 JO
 JP
 JQ
 JR
 JS
 JT
 JU
 JV
 JW
 JX
 JY
 JZ
 KA
 KB
 KC
 KD
 KE
 KF
 KG
 KH
 KI
 KJ
 KK
 KL
 KM
 KN
 KO
 KP
 KQ
 KR
 KS
 KT
 KU
 KV
 KW
 KX
 KY
 KZ
 LA
 LB
 LC
 LD
 LE
 LF
 LG
 LH
 LI
 LJ
 LK
 LL
 LM
 LN
 LO
 LP
 LQ
 LR
 LS
 LT
 LU
 LV
 LW
 LX
 LY
 LZ
 MA
 MB
 MC
 MD
 ME
 MF
 MG
 MH
 MI
 MJ
 MK
 ML
 MM
 MN
 MO
 MP
 MQ
 MR
 MS
 MT
 MU
 MV
 MW
 MX
 MY
 MZ
 NA
 NB
 NC
 ND
 NE
 NF
 NG
 NH
 NI
 NJ
 NK
 NL
 NM
 NN
 NO
 NP
 NQ
 NR
 NS
 NT
 NU
 NV
 NW
 NX
 NY
 NZ
 OA
 OB
 OC
 OD
 OE
 OF
 OG
 OH
 OI
 OJ
 OK
 OL
 OM
 ON
 OO
 OP
 OQ
 OR
 OS
 OT
 OU
 OV
 OW
 OX
 OY
 OZ
 PA
 PB
 PC
 PD
 PE
 PF
 PG
 PH
 PI
 PJ
 PK
 PL
 PM
 PN
 PO
 PP
 PQ
 PR
 PS
 PT
 PU
 PV
 PW
 PX
 PY
 PZ
 QA
 QB
 QC
 QD
 QE
 QF
 QG
 QH
 QI
 QJ
 QK
 QL
 QM
 QN
 QO
 QP
 QQ
 QR
 QS
 QT
 QU
 QV
 QW
 QX
 QY
 QZ
 RA
 RB
 RC
 RD
 RE
 RF
 RG
 RH
 RI
 RJ
 RK
 RL
 RM
 RN
 RO
 RP
 RQ
 RR
 RS
 RT
 RU
 RV
 RW
 RX
 RY
 RZ
 SA
 SB
 SC
 SD
 SE
 SF
 SG
 SH
 SI
 SJ
 SK
 SL
 SM
 SN
 SO
 SP
 SQ
 SR
 SS
 ST
 SU
 SV
 SW
 SX
 SY
 SZ
 TA
 TB
 TC
 TD
 TE
 TF
 TG
 TH
 TI
 TJ
 TK
 TL
 TM
 TN
 TO
 TP
 TQ
 TR
 TS
 TT
 TU
 TV
 TW
 TX
 TY
 TZ
 UA
 UB
 UC
 UD
 UE
 UF
 UG
 UH
 UI
 UJ
 UK
 UL
 UM
 UN
 UO
 UP
 UQ
 UR
 US
 UT
 UY
 UZ
 VA
 VB
 VC
 VD
 VE
 VF
 VG
 VH
 VI
 VJ
 VK
 VL
 VM
 VN
 VO
 VP
 VQ
 VR
 VS
 VT
 VU
 VV
 VW
 VX
 VY
 VZ
 WA
 WB
 WC
 WD
 WE
 WF
 WG
 WH
 WI
 WJ
 WK
 WL
 WM
 WN
 WO
 WP
 WQ
 WR
 WS
 WT
 WU
 WV
 WW
 WX
 WY
 WZ
 XA
 XB
 XC
 XD
 XE
 XF
 XG
 XH
 XI
 XJ
 XK
 XL
 XM
 XN
 XO
 XP
 XQ
 XR
 XS
 XT
 XU
 XV
 XW
 XX
 XY
 XZ
 YA
 YB
 YC
 YD
 YE
 YF
 YG
 YH
 YI
 YJ
 YK
 YL
 YM
 YN
 YO
 YP
 YQ
 YR
 YS
 YT
 YU
 YV
 YW
 YX
 YZ
 ZA
 ZB
 ZC
 ZD
 ZE
 ZF
 ZG
 ZH
 ZI
 ZJ
 ZK
 ZL
 ZM
 ZN
 ZO
 ZP
 ZQ
 ZR
 ZS
 ZT
 ZU
 ZV
 ZW
 ZX
 ZY
 ZZ

Scheidenspekula
 Vaginal Specula
 Espécules vaginales
 Spéculums vaginaux
 Specoli vaginali



KRISTELLER

KRISTELLER

KRISTELLER

		a	b		a	b		
	Fig. 1	70 x 27 mm	KB 053/01	75 x 23 mm	KB 054/01	KB 055/01 = KB 053/01 + KB 054/01		
	Fig. 2	80 x 30 mm	KB 053/02	85 x 26 mm	KB 054/02	KB 055/02 = KB 053/02 + KB 054/02		
	Fig. 3	90 x 36 mm	KB 053/03	100 x 32 mm	KB 054/03	KB 055/03 = KB 053/03 + KB 054/03		
<p>konisch conically cónica conique conica</p>								
	Fig. 00	105 x 18 mm	KB 056/00	110 x 14 mm	KB 057/00	KB 058/00 = KB 056/00 + KB 057/00		
	Fig. 0	105 x 21 mm	KB 056/10	110 x 17 mm	KB 057/10	KB 058/10 = KB 056/10 + KB 057/10		
	Fig. 1	105 x 26 mm	KB 059/01	115 x 22 mm	KB 060/01	KB 061/01 = KB 059/01 + KB 060/01		
	Fig. 2	105 x 28 mm	KB 059/02	115 x 24 mm	KB 060/02	KB 061/02 = KB 059/02 + KB 060/02		
	Fig. 3	105 x 33 mm	KB 059/03	115 x 29 mm	KB 060/03	KB 061/03 = KB 059/03 + KB 060/03		
	Fig. 1	110 x 27 mm	KB 062/01	115 x 23 mm	KB 063/01	KB 064/01 = KB 062/01 + KB 063/01		
	Fig. 2	110 x 30 mm	KB 062/02	115 x 26 mm	KB 063/02	KB 064/02 = KB 062/02 + KB 063/02		
	Fig. 3	110 x 36 mm	KB 062/03	115 x 32 mm	KB 063/03	KB 064/03 = KB 062/03 + KB 063/03		

Scheidenspekula
 Vaginal Specula
 Espéculos vaginales
 Spéculums vaginaux
 Specoli vaginali



DOYEN

	a	b	
Fig. 1	55 x 35 mm		KB 070/01
Fig. 2	85 x 35 mm		KB 070/02
Fig. 3	115 x 35 mm		KB 070/03
Fig. 1	55 x 45 mm		KB 070/11
Fig. 2	85 x 45 mm		KB 070/12
Fig. 3	115 x 45 mm		KB 070/13
Fig. 1	55 x 60 mm		KB 070/21
Fig. 2	85 x 60 mm		KB 070/22
Fig. 3	115 x 60 mm		KB 070/23

AA
AB
AC
AD
AE
AF
AK
AL
AM
AO
AP
AR
KA
KC
KD
KU
KY

KB

Scheidenspekula
 Vaginal Specula
 Espécules vaginales
 Spéculums vaginaux
 Specoli vaginali



KB 078/20

SCHERBACK

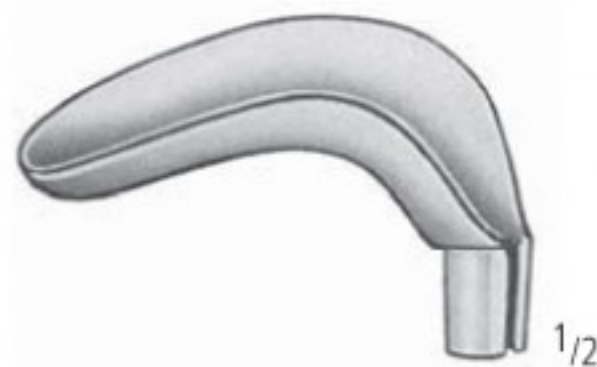
400 g = KB 078/40
 800 g = KB 078/80



KB 078/10



KB 078/11



KB 078/12



KB 078/13



KB 078/14

Sondermaße und Gewichte auf Anfrage
 Special sizes and weights on request
 Tamaños y pesos especiales a solicitud
 Poids et dimensions speciales sur demande
 Pesì e dimensioni speciali su richiesta



AUVARD

a b
 80 x 38 mm KB 080/01
 102 x 45 mm KB 080/02

KB 078/05 = KB 078/10
 KB 078/11
 KB 078/12
 KB 078/13
 KB 078/14
 KB 078/20
 KB 078/40

KB 079/05 = KB 078/10
 KB 078/11
 KB 078/12
 KB 078/13
 KB 078/14
 KB 078/20
 KB 078/80

Scheidenspekula und Scheidenhalter
 Vaginal Specula and Retractors
 Espécules y valvas vaginales
 Spéculums et valves vaginaux
 Specoli e valve vaginali



NEW PORT
 KB 082/00
 25,0 cm/10"

NEU: **Vaginalsepekulum für die seitlichen Wände**
 Dieser Halter passt in Ihr Cusco Spekulum. Die konkave Form und die abgerundeten Kanten garantieren ein sicheres, gewebeschonendes Zurückhalten der seitlichen Scheidenwände. Dadurch erhalten Sie eine wesentlich bessere Sicht für alle Ihre gynäkologischen Eingriffe.

NEW: **Lateral Vaginal Retractor**
 This retractor was especially designed to fit inside your vaginal speculum. This simultaneous use with a standard speculum like Grave or Pederson will avoid collapse of the vaginal walls. This will give you a much better field of view, which is of utmost importance for all gynecological procedures. The concave shape of the blades and the rounded edges will guarantee a smooth retraction of the tissue.



BREISKY

- | | |
|-------------|-----------|
| 100 x 20 mm | KB 090/20 |
| 100 x 25 mm | KB 090/25 |
| 100 x 30 mm | KB 090/30 |
| 100 x 35 mm | KB 090/35 |
| 100 x 40 mm | KB 090/40 |
| 130 x 20 mm | KB 093/20 |
| 130 x 25 mm | KB 093/25 |
| 130 x 30 mm | KB 093/30 |
| 130 x 35 mm | KB 093/35 |
| 130 x 40 mm | KB 093/40 |
| 155 x 40 mm | KB 095/40 |



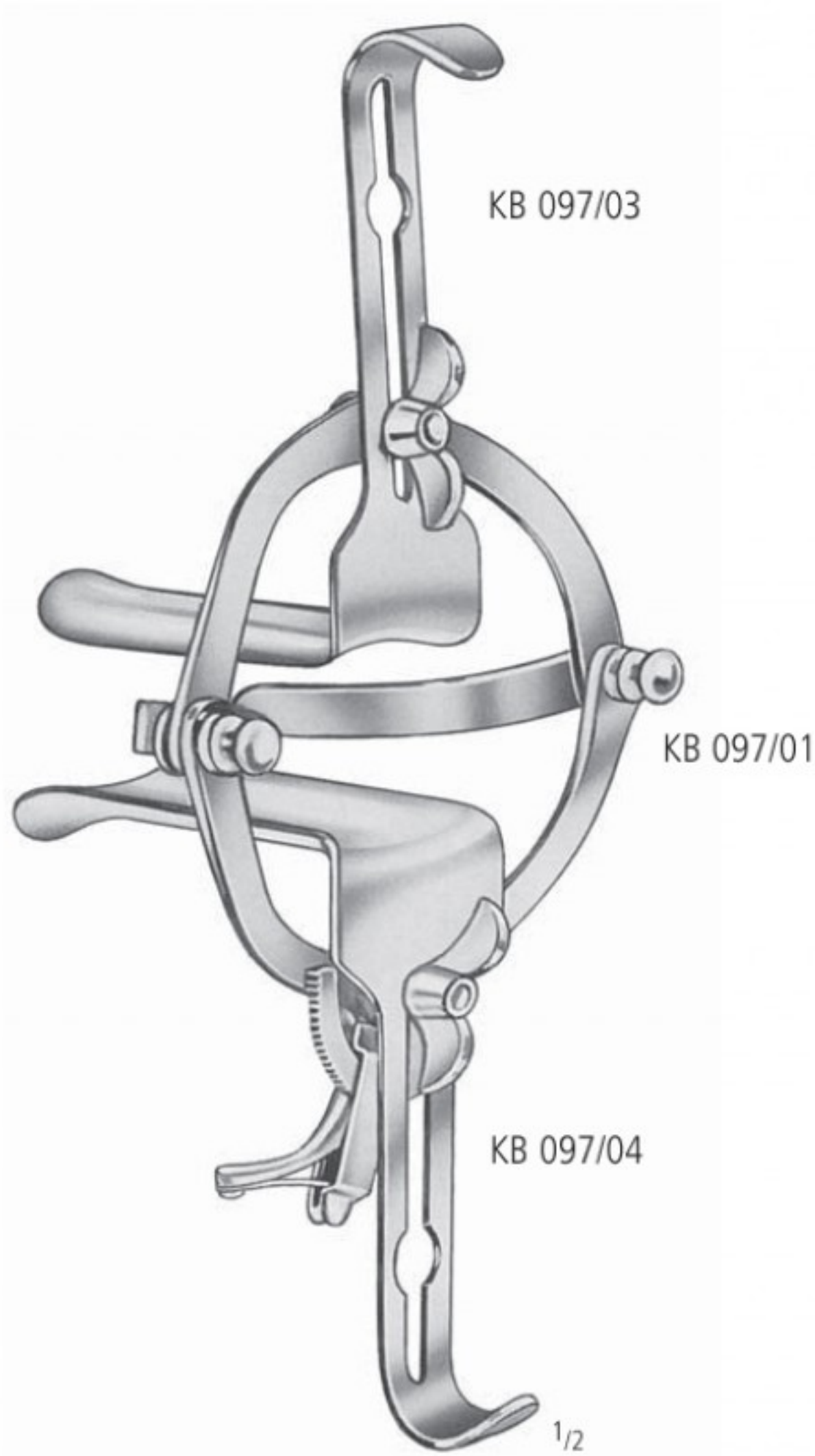
LANDAU

- | | |
|-------------|-----------|
| 105 x 28 mm | KB 096/28 |
| 105 x 38 mm | KB 096/38 |

Weitere Halter in Gruppe AK
 For further retractors see section AK
 Para otros separadores vea el grupo AK
 Pour d'autres écarteurs voir la section AK
 Per altri tipi di divaricatori consultare il gruppo AK

AA
 AB
 AC
 AD
 AE
 AF
 AK
 AL
 AM
 AO
 AP
 AR
 KA
 KB
 KC
 KD
 KU
 KY

Wundspreizer, Vulvaspreizer
 Retractors
 Separadores
 Ecarteurs, Ecarteurs pubiens
 Divaricatore, Divaricatore per vulva



O'SULLIVAN - O'CONNOR
 KB 097/00 = 1 x KB 097/01
 1 x KB 097/02
 1 x KB 097/03
 1 x KB 097/04



FRIEDMANN
 KB 098/00
 10,0 cm/4"

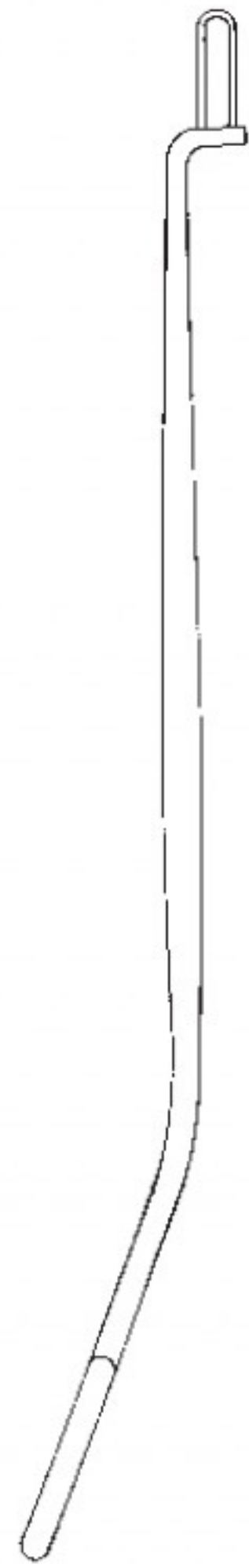
Weitere Wundspreizer in Gruppe AK
 For further retractors see section AK
 Para otros separadores vea el grupo AK
 Pour d'autres écarteurs voir la section AK
 Per altri tipi di divaricatori consultare il gruppo AK

Endospekula
 Endospecula
 Endospéculos
 Endospéculums
 Endospecoli

AA
 AB
 AC
 AD
 AE
 AF
 AK
 AL
 AM
 AO
 AP
 AR
 KA
 KB
 KC
 KD
 KU
 KY



KOGAN
 KB 099/01
 24,0 cm/9 1/2"



KOGAN
 KB 099/02
 24,0 cm/9 1/2"



KOGAN
 24,0 cm/9 1/2"

3 mm KB 099/03
 7 mm KB 099/07

1/1
 2 - 4 mm
 1/1
 4 - 8 mm

KB

Uterus-Dilatatoren
 Uterine Dilators
 Dilatadores uterinos
 Dilatateurs du col de l'utérus
 Dilatatori uterini

- 1,0 mm KB 100/02
- 2,0 mm KB 100/04
- 3,0 mm KB 100/06
- 4,0 mm KB 100/08
- 5,0 mm KB 100/10
- 6,0 mm KB 100/12
- 7,0 mm KB 100/14
- 8,0 mm KB 100/16
- 9,0 mm KB 100/18
- 10,0 mm KB 100/20
- 11,0 mm KB 100/22
- 12,0 mm KB 100/24
- 13,0 mm KB 100/26
- 14,0 mm KB 100/28
- 15,0 mm KB 100/30
- 16,0 mm KB 100/32
- 17,0 mm KB 100/34
- 18,0 mm KB 100/36
- 19,0 mm KB 100/38
- 20,0 mm KB 100/40
- 21,0 mm KB 100/42
- 22,0 mm KB 100/44
- 23,0 mm KB 100/46
- 24,0 mm KB 100/48
- 25,0 mm KB 100/50
- 26,0 mm KB 100/52
- 27,0 mm KB 100/54
- 28,0 mm KB 100/56
- 29,0 mm KB 100/58
- 30,0 mm KB 100/60

- 1,5 mm KB 100/03
- 2,5 mm KB 100/05
- 3,5 mm KB 100/07
- 4,5 mm KB 100/09
- 5,5 mm KB 100/11
- 6,5 mm KB 100/13
- 7,5 mm KB 100/15
- 8,5 mm KB 100/17
- 9,5 mm KB 100/19
- 10,5 mm KB 100/21
- 11,5 mm KB 100/23
- 12,5 mm KB 100/25
- 13,5 mm KB 100/27
- 14,5 mm KB 100/29
- 15,5 mm KB 100/31
- 16,5 mm KB 100/33
- 17,5 mm KB 100/35
- 18,5 mm KB 100/37
- 19,5 mm KB 100/39



HEGAR

KB 110/14
 Satz zu 14 Dilatatoren 4,0 mm - 17,0 mm
 Set of 14 dilators 4,0 mm - 17,0 mm
 Juego de 14 dilatadores 4,0 mm - 17,0 mm
 Jeu de 14 dilatateurs 4,0 mm - 17,0 mm
 Serie di 14 dilatatori 4,0 mm - 17,0 mm

KB 110/26
 Satz zu 26 Dilatatoren 1,0 mm - 26,0 mm
 Set of 26 dilators 1,0 mm - 26,0 mm
 Juego de 26 dilatadores 1,0 mm - 26,0 mm
 Jeu de 26 dilatateurs 1,0 mm - 26,0 mm
 Serie di 26 dilatatori 1,0 mm - 26,0 mm

KB 112/14
 Satz zu 14 Dilatatoren 4,0 mm - 17,0 mm
 Set of 14 dilators 4,0 mm - 17,0 mm
 Juego de 14 dilatadores 4,0 mm - 17,0 mm
 Jeu de 14 dilatateurs 4,0 mm - 17,0 mm
 Serie di 14 dilatatori 4,0 mm - 17,0 mm



HEGAR

Uterus-Dilatatoren
 Uterine Dilators
 Dilatadores uterinos
 Dilatateurs du col de l'utérus
 Dilatatori uterini

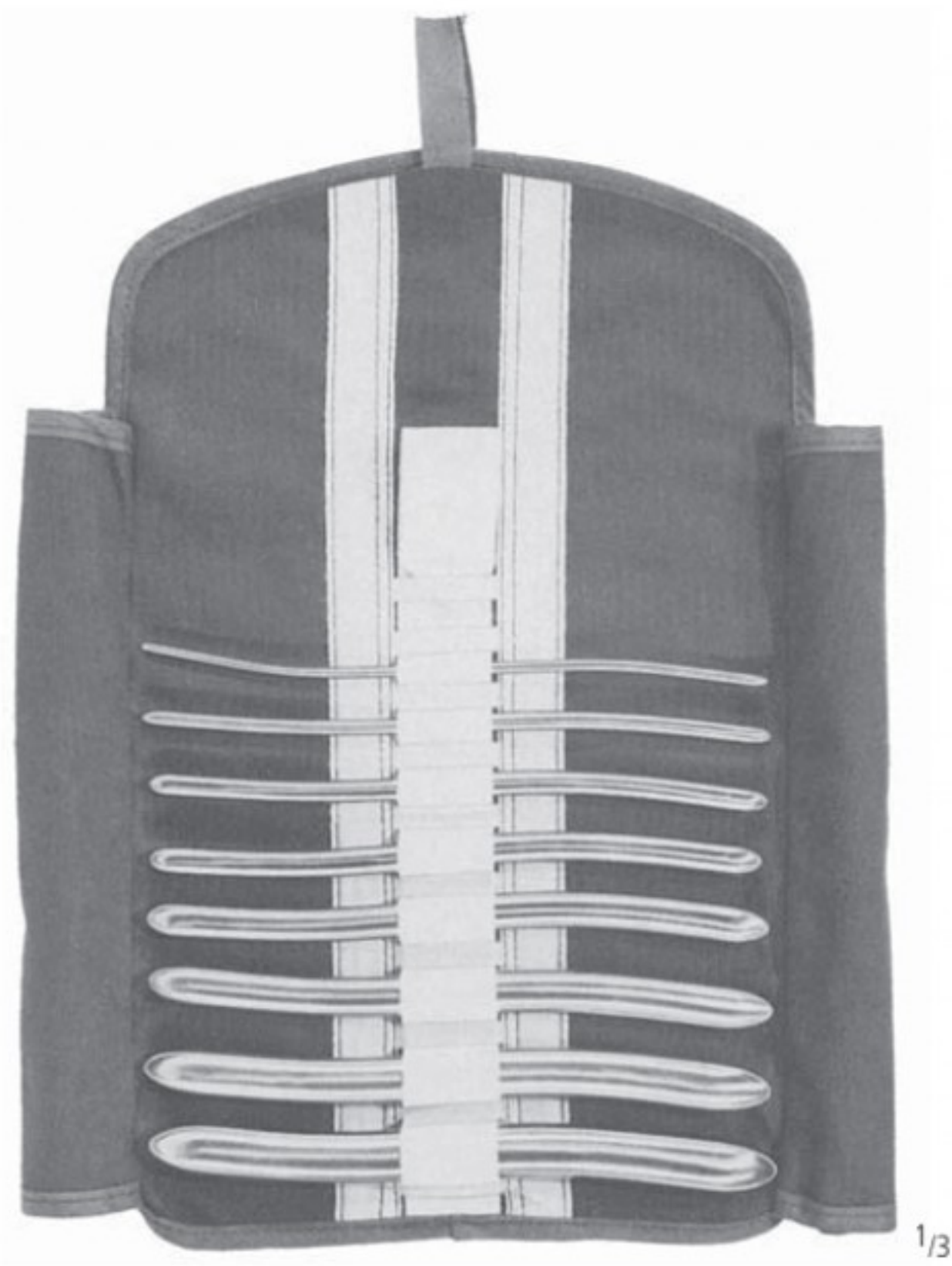


HEGAR

1,0/ 2,0 mm	KB 113/02
3,0/ 4,0 mm	KB 113/04
5,0/ 6,0 mm	KB 113/06
7,0/ 8,0 mm	KB 113/08
9,0/10,0 mm	KB 113/10
11,0/12,0 mm	KB 113/12
13,0/14,0 mm	KB 113/14
15,0/16,0 mm	KB 113/16
17,0/18,0 mm	KB 113/18
19,0/20,0 mm	KB 113/20
21,0/22,0 mm	KB 113/22
23,0/24,0 mm	KB 113/24
25,0/26,0 mm	KB 113/26

KB 114/08
 Satz zu 8 Dilatatoren 3,0/4,0 mm - 17,0/18,0 mm
 Set of 8 dilators 3,0/4,0 mm - 17,0/18,0 mm
 Juego 8 dilatadores 3,0/4,0 mm - 17,0/18,0 mm
 Jeu de 8 dilatateurs 3,0/4,0 mm - 17,0/18,0 mm
 Serie di 8 dilatatori 3,0/4,0 mm - 17,0/18,0 mm

KB 114/13
 Satz zu 13 Dilatatoren 1,0/2,0 mm - 25,0/26,0 mm
 Set of 13 dilators 1,0/2,0 mm - 25,0/26,0 mm
 Juego de 13 dilatadores 1,0/2,0 mm - 25,0/26,0 mm
 Jeu de 13 dilatateurs 1,0/2,0 mm - 25,0/26,0 mm
 Serie di 13 dilatatori 1,0/2,0 mm - 25,0/26,0 mm



HEGAR

KB 115/08
 Satz zu 8 Dilatatoren 3,0/4,0 mm - 17,0/18,0 mm
 Set of 8 dilators 3,0/4,0 mm - 17,0/18,0 mm
 Juego 8 dilatadores 3,0/4,0 mm - 17,0/18,0 mm
 Jeu de 8 dilatateurs 3,0/4,0 mm - 17,0/18,0 mm
 Serie di 8 dilatatori 3,0/4,0 mm - 17,0/18,0 mm

AA
 AB
 AC
 AD
 AE
 AF
 AK
 AL
 AM
 AO
 AP
 AR
 KA
 KB
 KC
 KD
 KU
 KY

Uterus-Dilatatoren
Uterine Dilators
Dilatadores uterinos
Dilatateurs du col de l'utérus
Dilatatori uterini



HEGAR

KB 116/08

Satz zu 8 Dilatatoren 3,0/4,0 mm - 17,0/18,0 mm
Set of 8 dilators 3,0/4,0 mm - 17,0/18,0 mm
Juego 8 dilatadores 3,0/4,0 mm - 17,0/18,0 mm
Jeu de 8 dilateurs 3,0/4,0 mm - 17,0/18,0 mm
Serie di 8 dilatatori 3,0/4,0 mm - 17,0/18,0 mm

Uterus-Dilatatoren
 Uterine Dilators
 Dilataores uterinos
 Dilatateurs du col de l'utérus
 Dilatatori uterini



HANK

Fig. 9/10	4,5/ 5,0 mm KB 118/10
Fig. 11/12	5,5/ 6,0 mm KB 118/12
Fig. 13/14	6,5/ 7,0 mm KB 118/14
Fig. 15/16	7,5/ 8,0 mm KB 118/16
Fig. 17/18	8,5/ 9,0 mm KB 118/18
Fig. 19/20	9,5/10,0 mm KB 118/20



HANK

KB 119/06

Satz zu 6 Dilatatoren 4,5/5,0 mm - 9,5/10,0 mm
 Set of 6 dilators 4,5/5,0 mm - 9,5/10,0 mm
 Juego 6 dilatadores 4,5/5,0 mm - 9,5/10,0 mm
 Jeu de 6 dilateurs 4,5/5,0 mm - 9,5/10,0 mm
 Serie di 6 dilatatori 4,5/5,0 mm - 9,5/10,0 mm

AA
 AB
 AC
 AD
 AE
 AF
 AK
 AL
 AM
 AO
 AP
 AR
 KA
 KB
 KC
 KD
 KU
 KY

KB

Uterus-Dilatatoren
 Uterine Dilators
 Dilatadores uterinos
 Dilatateurs du col de l'utérus
 Dilatatori uterini



PRATT

Fig. 13/15	4,5/ 5,0 mm KB 120/15
Fig. 17/19	5,6/ 6,3 mm KB 120/19
Fig. 21/23	7,0/ 7,6 mm KB 120/23
Fig. 25/27	8,3/ 9,0 mm KB 120/27
Fig. 29/31	9,6/10,3 mm KB 120/31
Fig. 33/35	11,0/11,6 mm KB 120/35
Fig. 37/39	12,3/13,0 mm KB 120/39
Fig. 41/43	13,6/14,3 mm KB 120/43

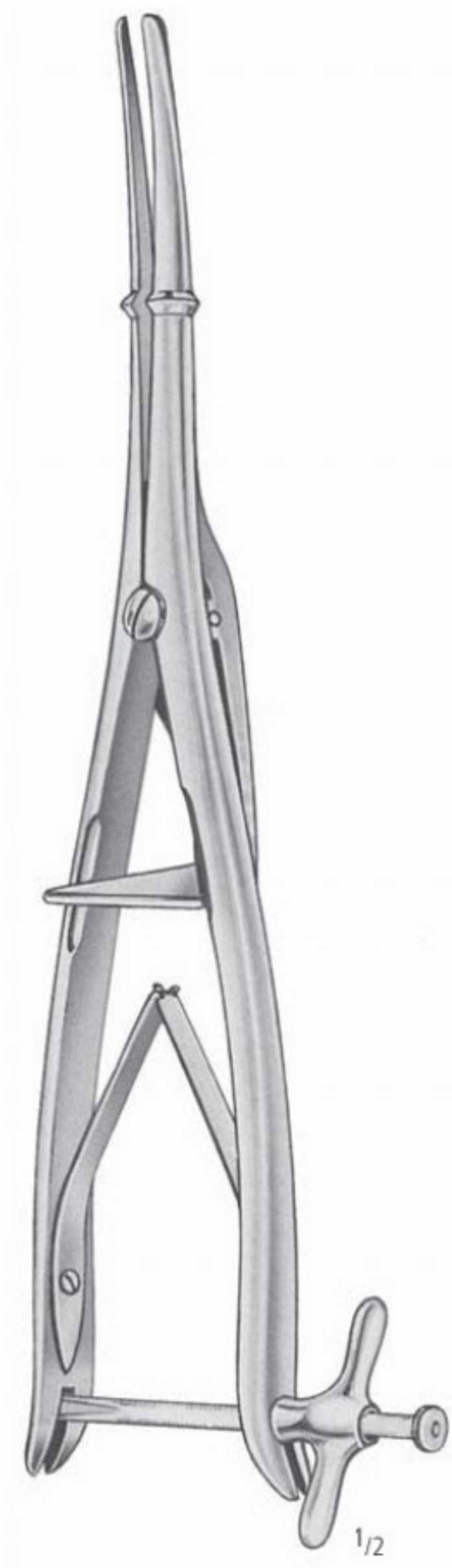


PRATT

KB 121/08

Satz zu 8 Dilatatoren 4,5/5,0 mm - 13,6/14,3 mm
 Set of 8 dilators 4,5/5,0 mm - 13,6/14,3 mm
 Juego 8 dilatadores 4,5/5,0 mm - 13,6/14,3 mm
 Jeu de 8 dilatateurs 4,5/5,0 mm - 13,6/14,3 mm
 Serie di 8 dilatatori 4,5/5,0 mm - 13,6/14,3 mm

Uterus-Dilatatoren
 Uterine Dilators
 Dilatadores uterinos
 Dilatateurs du col de l'utérus
 Dilatatori uterini



SIMS
 KB 146/29
 29,0 cm/11¹/₂"



GODELL
 KB 147/34
 34,0 cm/13¹/₂"

AA
 AB
 AC
 AD
 AE
 AF
 AK
 AL
 AM
 AO
 AP
 AR
 KA
KB
 KC
 KD
 KU
 KY

Uterussonden
 Uterine Sounds
 Histerómetros
 Hystéromètres
 Isterometri



SIMS

KB 200/32
 32,0 cm/12¹/₂"

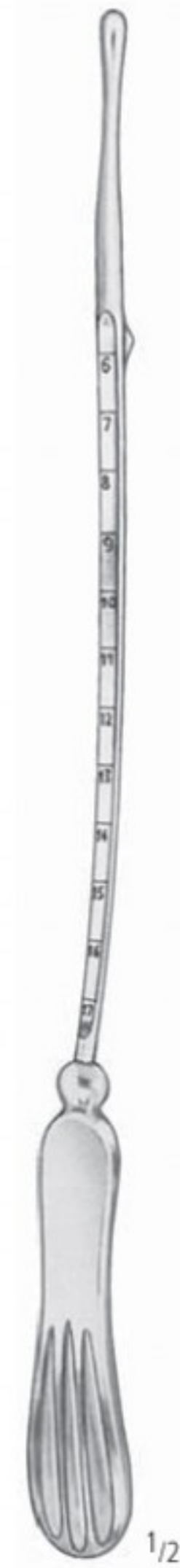
fest
 rigid
 rigida
 rigide
 rigido



SIMS-SPECIAL

KB 202/32
 32,0 cm/12¹/₂"

biegsam
 malleable
 maleable
 malléable
 malleabile



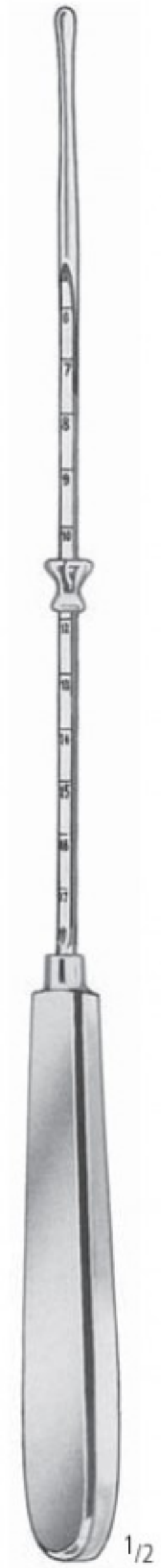
SIMS

schwed. Modell
 KB 203/26
 26,0 cm/10¹/₄"



MARTIN

KB 204/30
 30,0 cm/12"



VALLEIX

KB 210/25
 25,0 cm/10"

Uterusdepressoren
 Uterine Depressors
 Depressores uterinos
 Dépresseurs utérins
 Depressori uterini



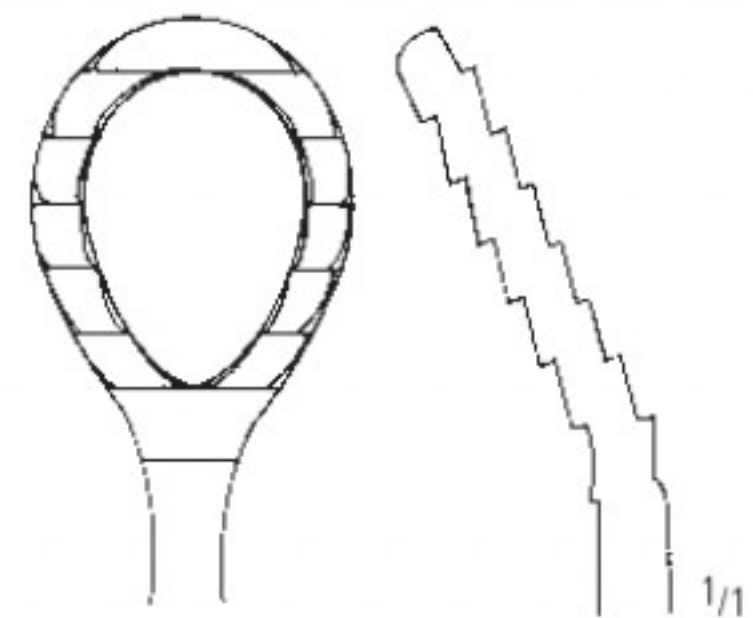
1/2

BRAUN
 KB 215/28
 28,0 cm/11"

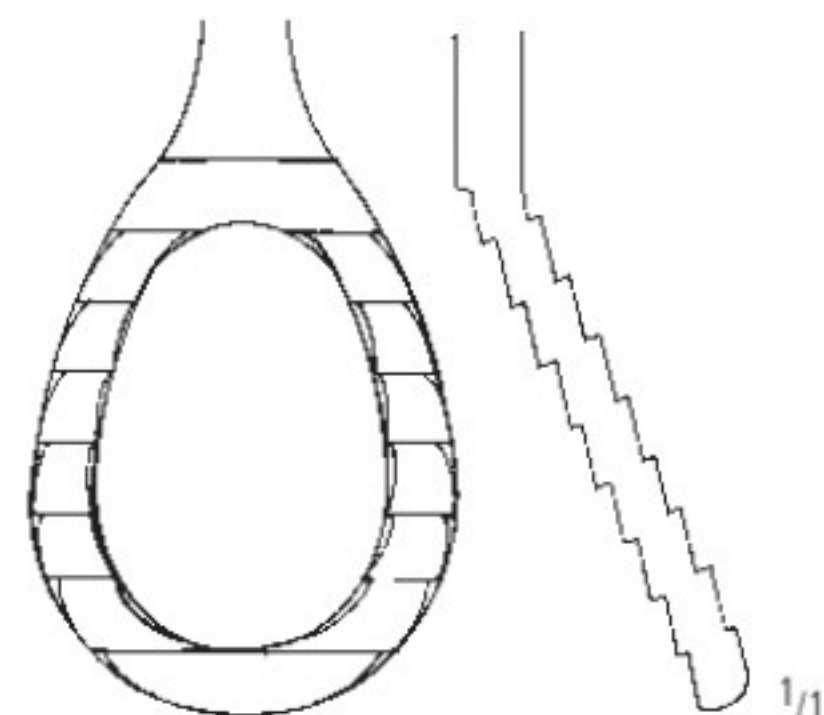


1/2

SIMS
 KB 217/26
 26,0 cm/10¹/₄"



1/1



1/1

AA
 AB
 AC
 AD
 AE
 AF
 AK
 AL
 AM
 AO
 AP
 AR
 KA
KB
 KC
 KD
 KU
 KY

Hakenzangen
 Tenaculum Forceps
 Pinzas para coger el cuello del útero
 Pincés pour abaissement du col de l'utérus
 Pinze per abbassare il collo del l'utero



POZZI
 KB 250/25
 25,0 cm/10"



BRAUN
 KB 252/25
 25,0 cm/10"



SCHRÖDER
 KB 255/25
 25,0 cm/10"



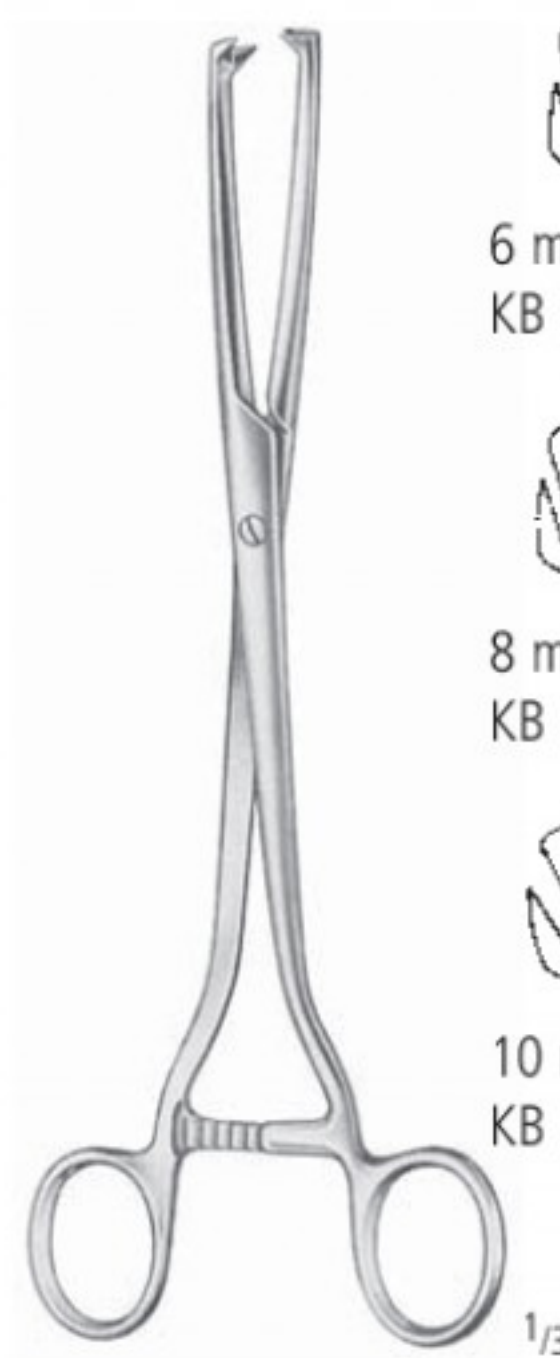
BARRETT
 KB 256/18
 18,0 cm/7"



SAIRGES
 KB 257/23
 23,0 cm/9"



DUPLAY
 KB 259/28
 28,0 cm/11"



MUSEUX
 24,0 cm/9 1/2"



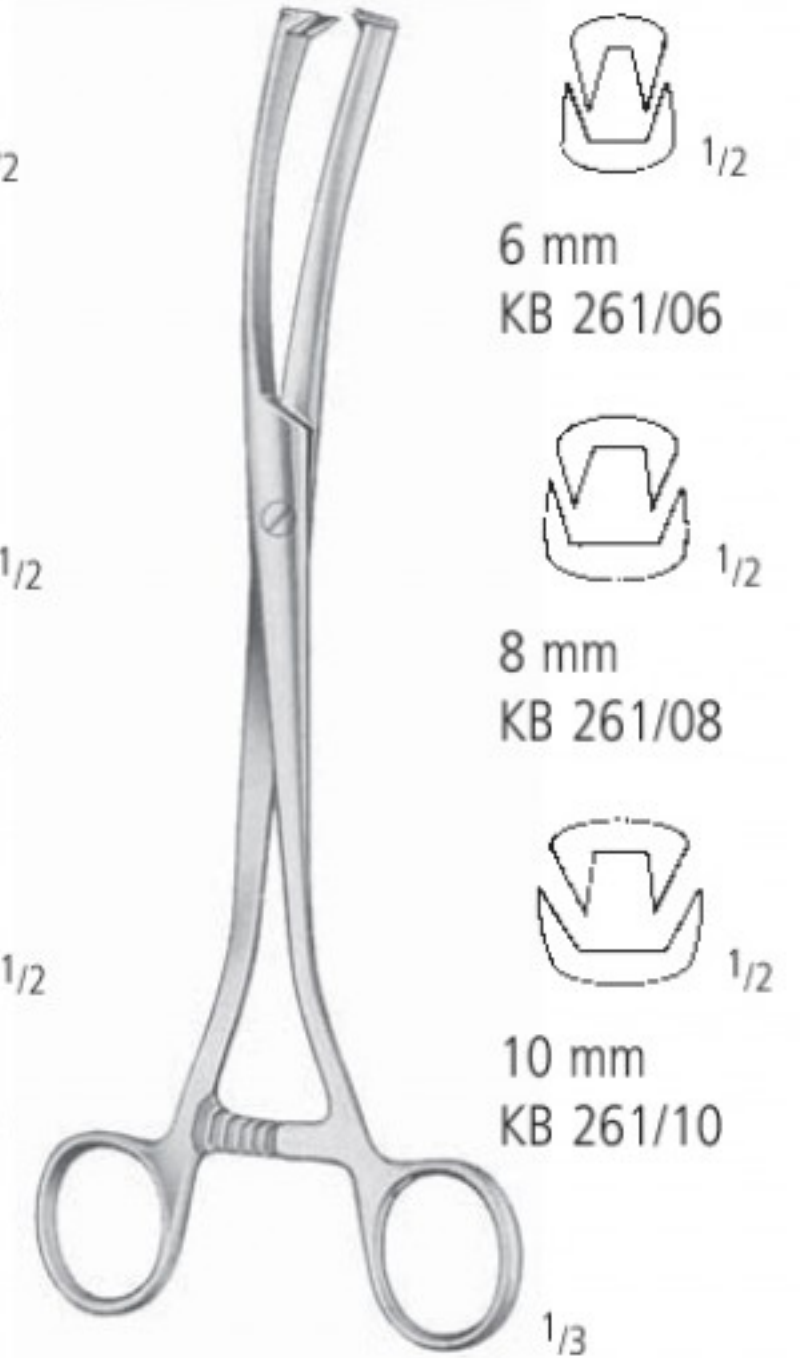
6 mm
 KB 260/06



8 mm
 KB 260/08



10 mm
 KB 260/10



MUSEUX
 24,0 cm/9 1/2"



6 mm
 KB 261/06



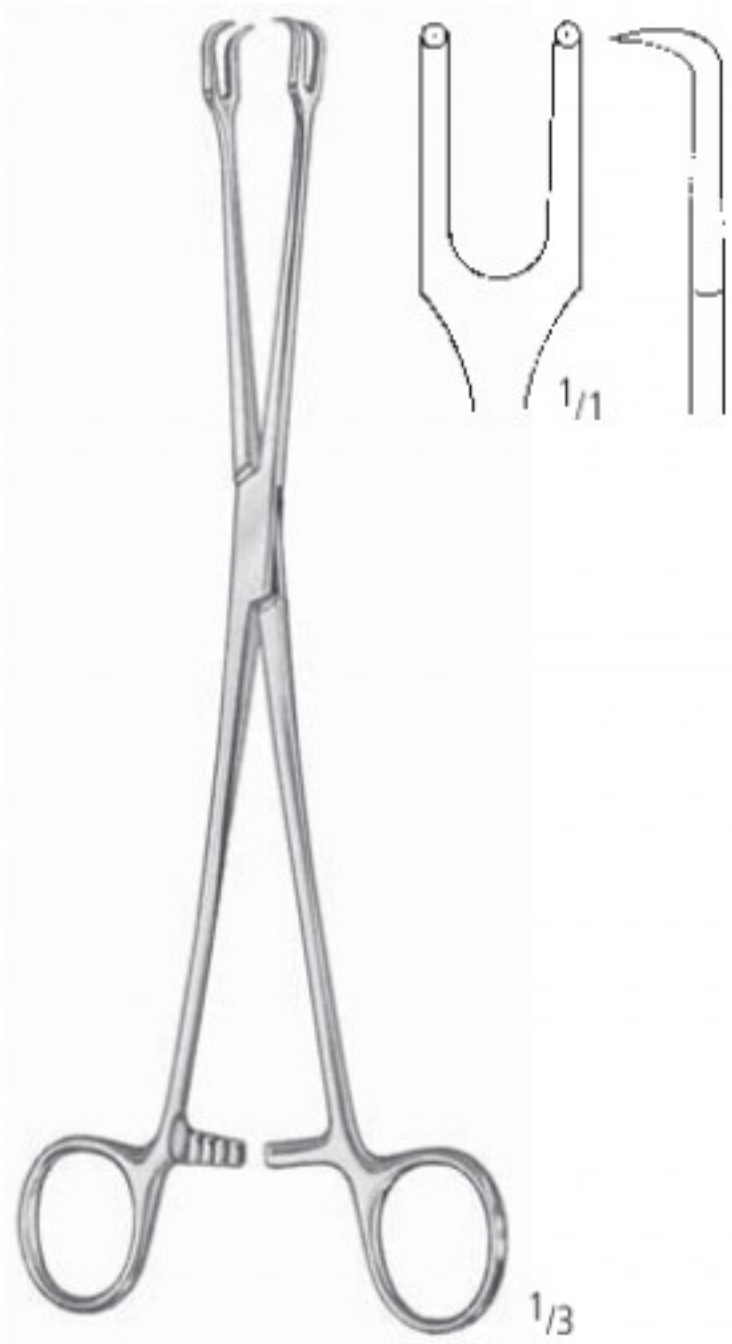
8 mm
 KB 261/08



10 mm
 KB 261/10

GYNÄKOLOGIE GYNECOLOGY GINECOLOGIA GYNECOLOGIE GINECOLOGIA

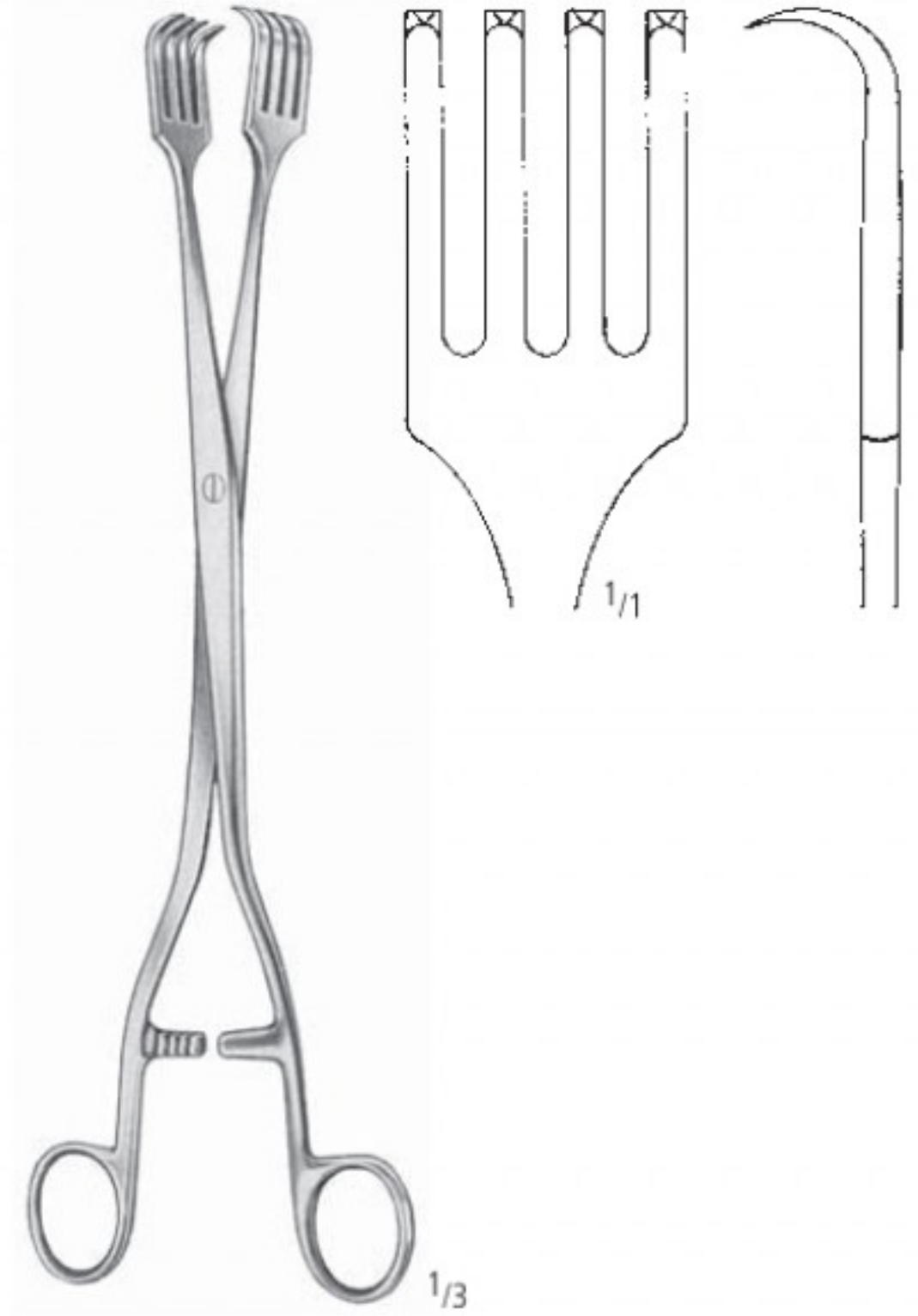
Hakenzangen
 Tenaculum Forceps
 Pinzas para coger el cuello del útero
 Pincès pour abaissement du col de l'utérus
 Pinze per abbassare il collo del l'utero



SCHRÖDER
 KB 262/24
 24,0 cm/9 1/2"



SCHRÖDER
 KB 263/24
 24,0 cm/9 1/2"



PRATT
 KB 265/28
 28,0 cm/11"



JACOBS
 KB 266/21
 21,0 cm/8 1/4"



JACOBS
 KB 267/21
 21,0 cm/8 1/4"



TEALE
 KB 269/23
 23,0 cm/9"

AA
 AB
 AC
 AD
 AE
 AF
 AK
 AL
 AM
 AO
 AP
 AR
 KA
 KB
 KC
 KD
 KU
 KY

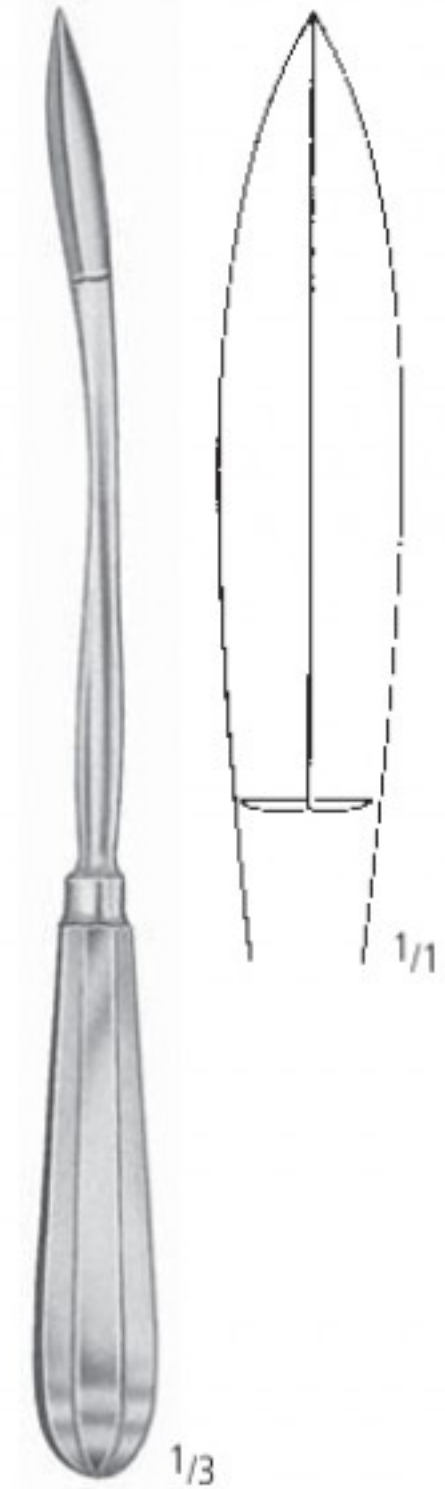
Myom-Instrumente, Uterus-Fasszangen
 Myoma Instruments, Uterine Elevating Forceps
 Instrumentos para fibroma, Pinzas para el útero
 Instruments pour fibrome, Pincès hystérolabes
 Strumenti per fibromi, Pinze per afferrare l'utero



DOYEN
 KB 270/17
 17,0 cm/6³/₄"



DOYEN
 KB 272/17
 17,0 cm/6³/₄"



SEGOND
 KB 275/27
 27,0 cm/10¹/₂"



DARTIGUES
 KB 280/27
 27,0 cm/10¹/₂"



SOMER
 KB 283/23
 23,0 cm/9"

Polypenzangen in Gruppe AF
 For polypus forceps see section AF
 Para pinzas polipos vea la sección AF
 Pour pincès à polypes voir la section AF
 Per le pinze per polipi, consultare la sezione AF

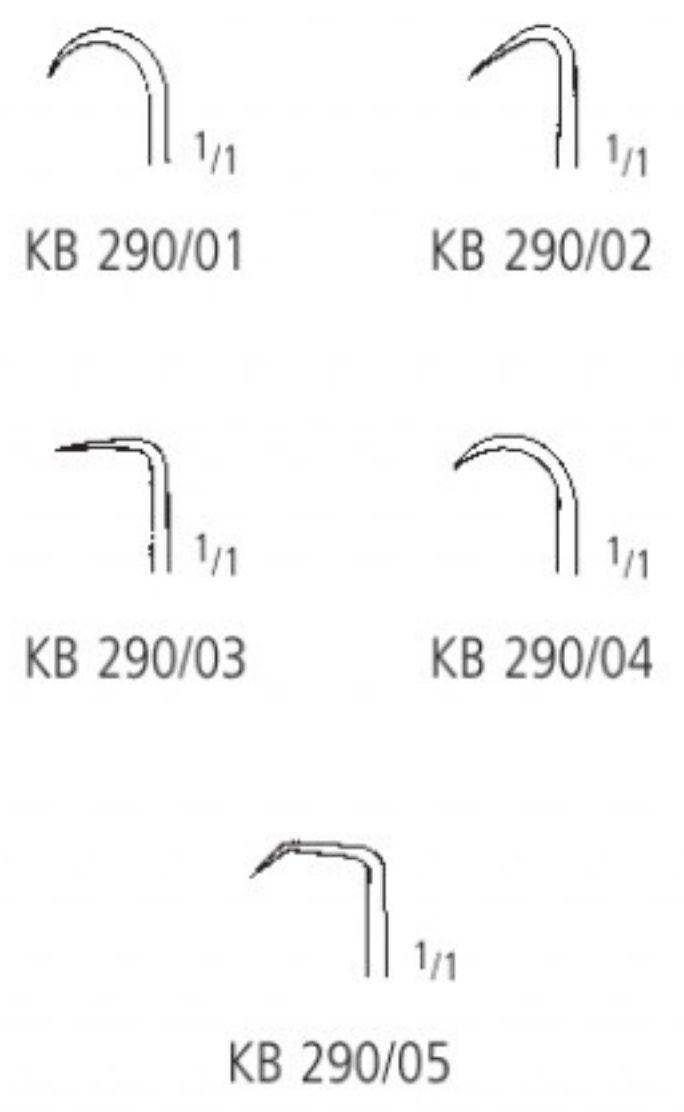
GYNÄKOLOGIE GYNECOLOGY GINECOLOGIA GYNECOLOGIE GINECOLOGIA

Fistelhaken
Fistula Hooks
Ganchos para fistulas
Crochets pour fistules
Uncini per fistola

AA
AB
AC
AD
AE
AF
AK
AL
AM
AO
AP
AR
KA
KB
KC
KD
KU
KY



EMMET
22,0 cm/8³/₄"



SIMON
KB 292/01
22,0 cm/8³/₄"



SIMON
KB 292/02
22,0 cm/8³/₄"

Weitere Haken in Gruppe AK
For further hooks see section AK
Para otras ganchos vea la sección AK
Pour d'autres crochets voir la section AK
Per altri tipi di divaricatori, consultare la sezione AK

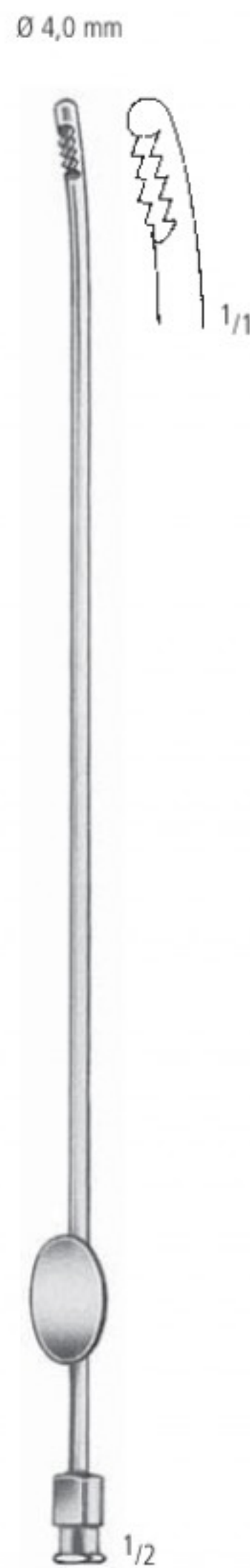
Saug- und Biopsieküretten
 Suction Biopsy Curettes
 Curetas aspiradoras para biopsia
 Curettes à aspiration pour biopsie
 Curette d'aspirazione per biopsia



RANDALL
 KB 300/04
 24,0 cm/9 1/2"



NOVAK
 23,0 cm/9"
 Ø 2,0 mm KB 302/02
 Ø 3,0 mm KB 302/03



NOVAK
 KB 302/04
 23,0 cm/9"



KEVORKIAN
 KB 304/30
 30,0 cm/12"



KEVORKIAN
 KB 305/30
 30,0 cm/12"

GYNÄKOLOGIE GYNECOLOGY GINECOLOGIA GYNECOLOGIE GINECOLOGIA

Biopsie- und Absaugküretten
 Biopsy and Aspirating Curettes
 Curetas para biopsia y de aspiración
 Curettes pour biopsie et d'aspiration
 Curette per biopsia et per aspirazione



4,0 mm
KB 308/04



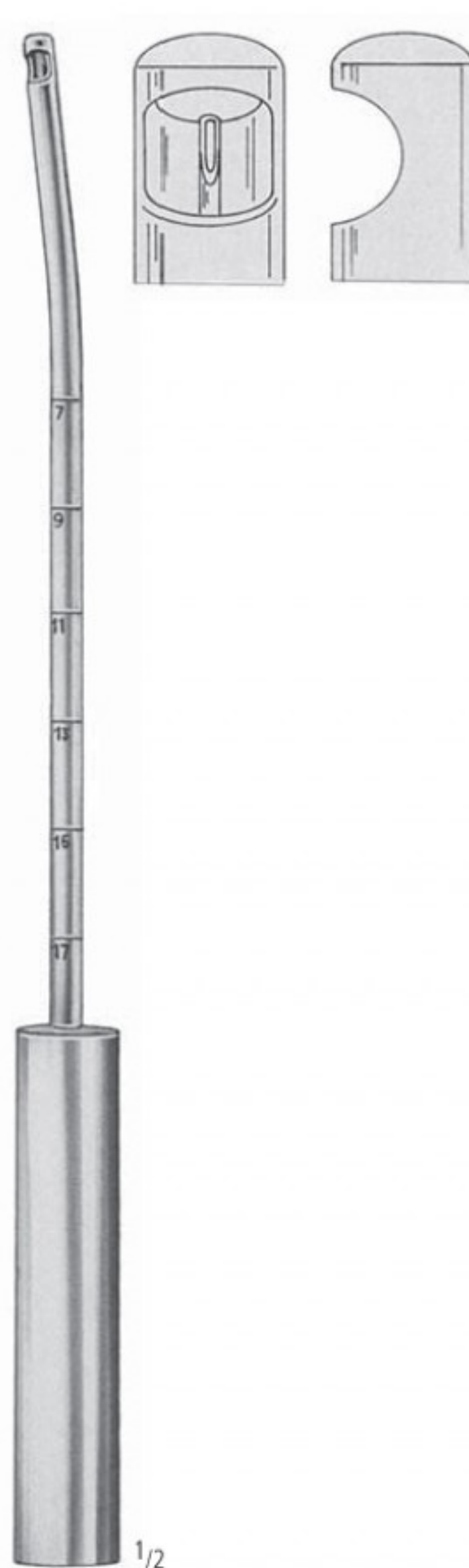
6,0 mm
KB 308/06



9,0 mm
KB 308/09



KB 310/00

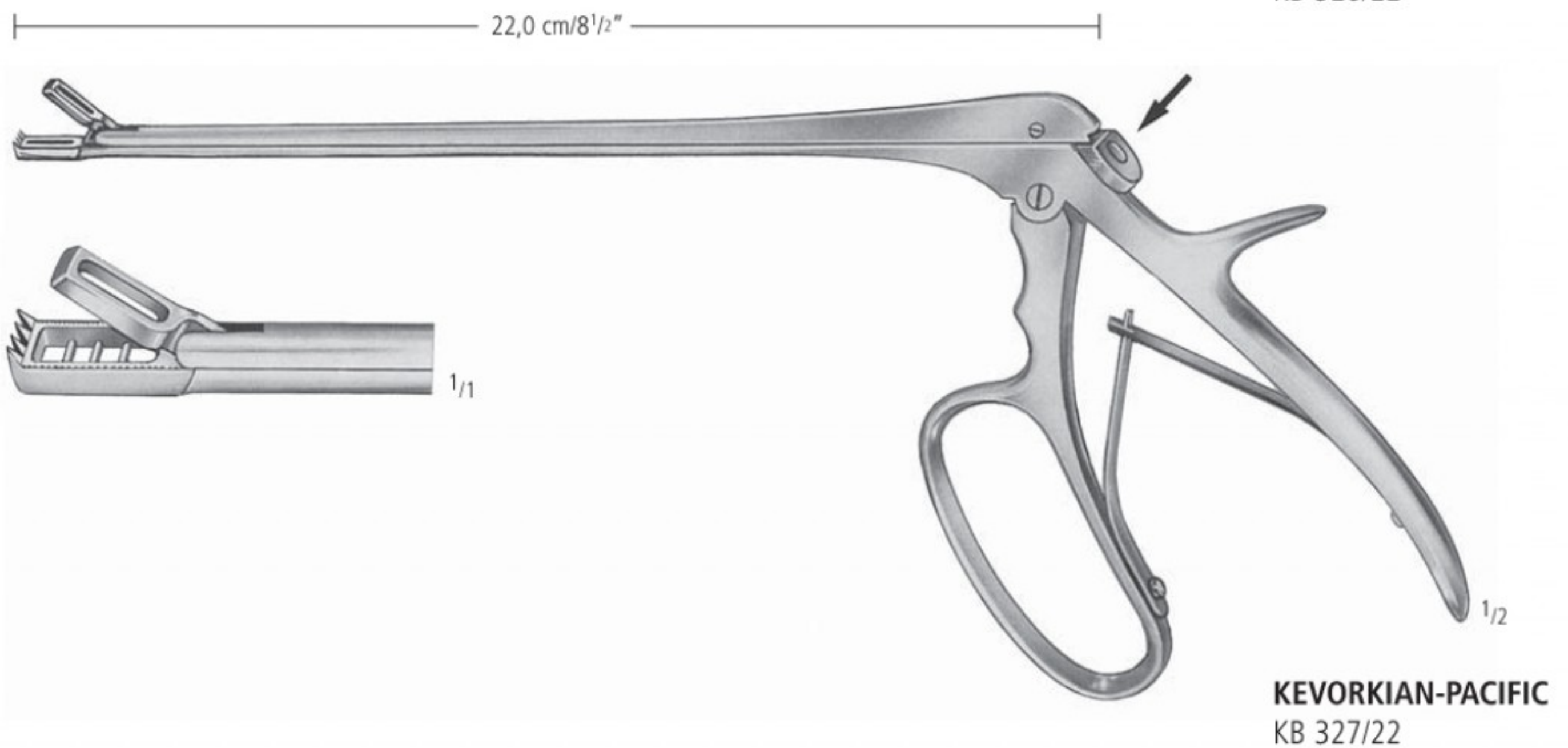
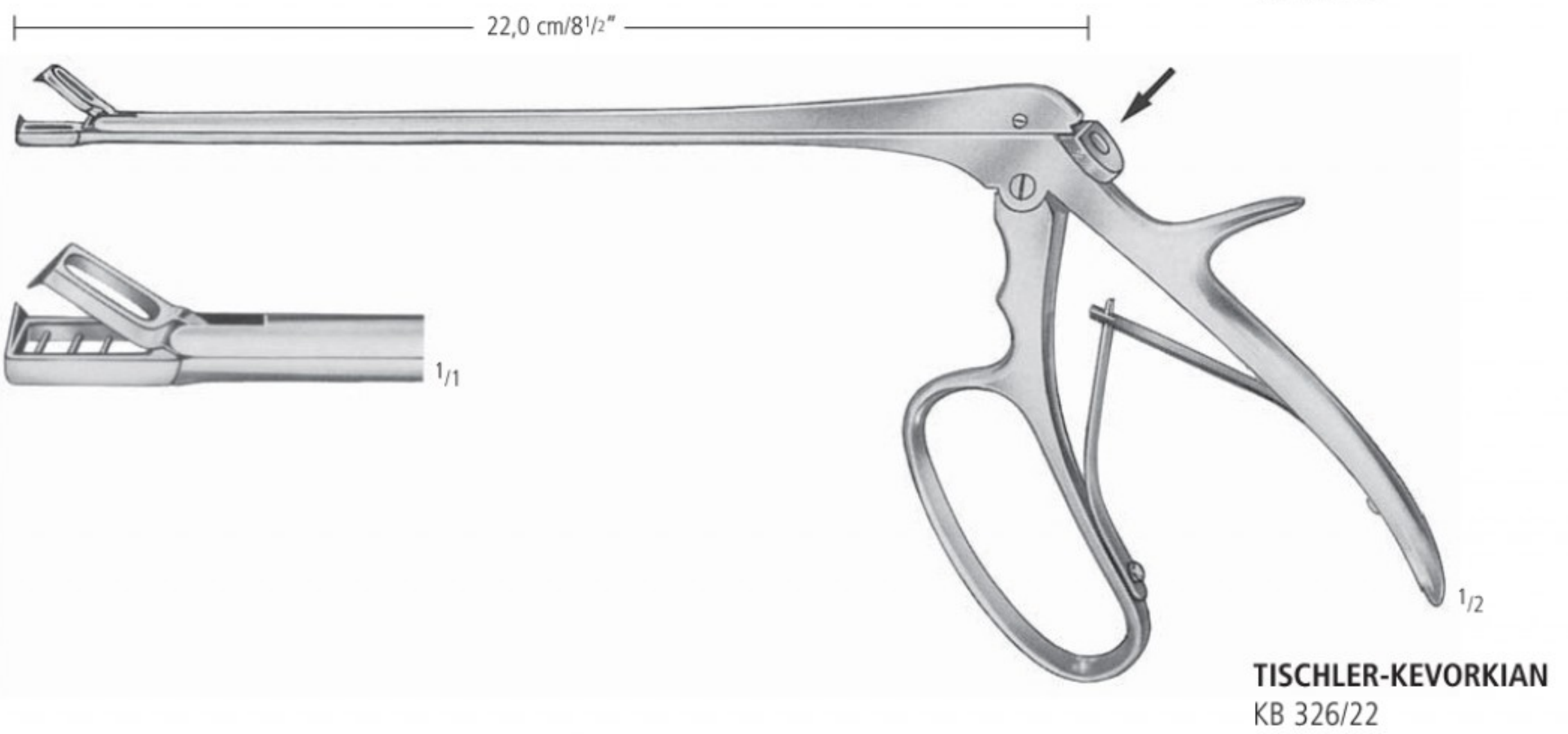
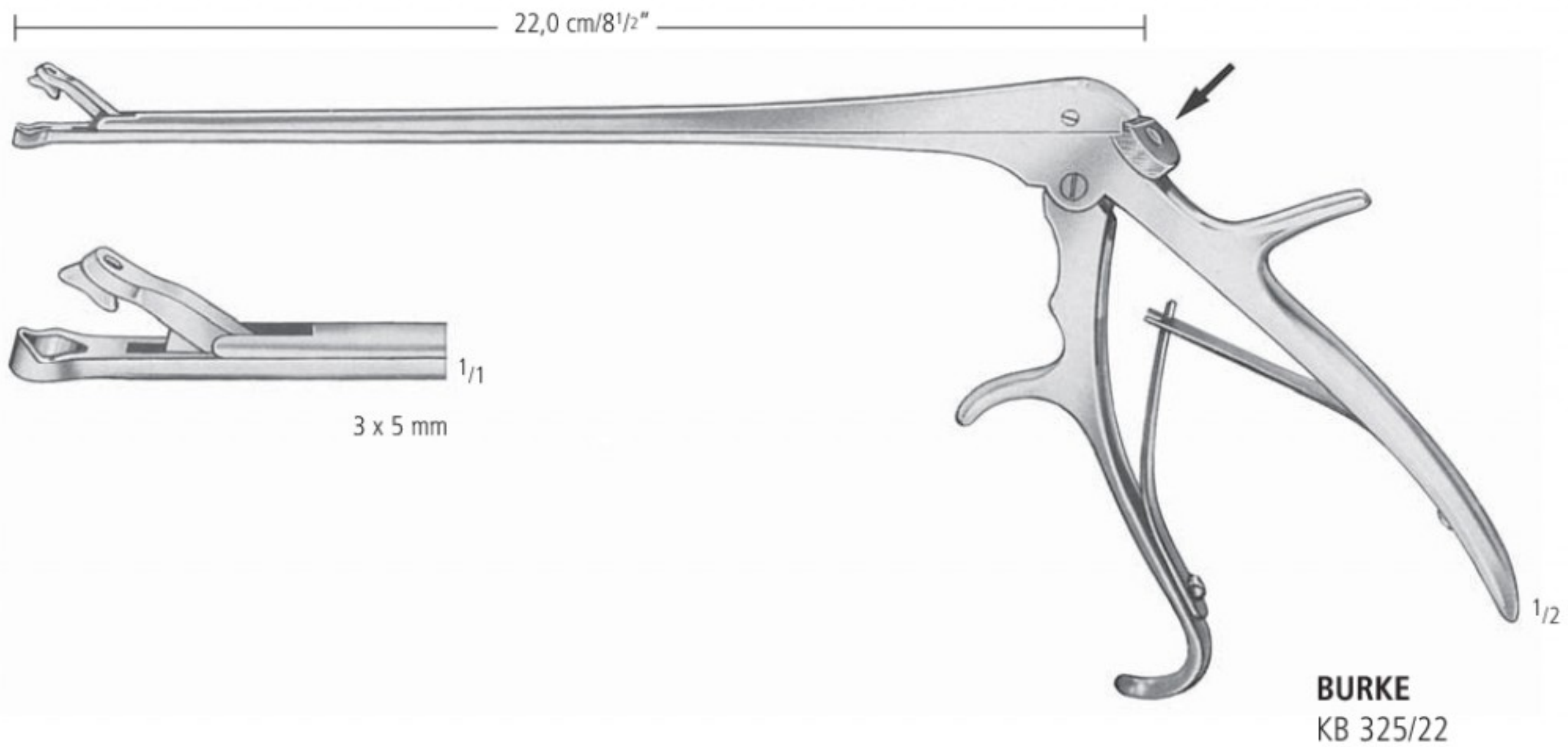


- Ø 3,0 mm KB 310/03
- Ø 4,5 mm KB 310/04
- Ø 6,0 mm KB 310/06
- Ø 8,0 mm KB 310/08
- Ø 10,0 mm KB 310/10
- Ø 12,0 mm KB 310/12
- Ø 14,0 mm KB 310/14

MILAN
28,0 cm/11"

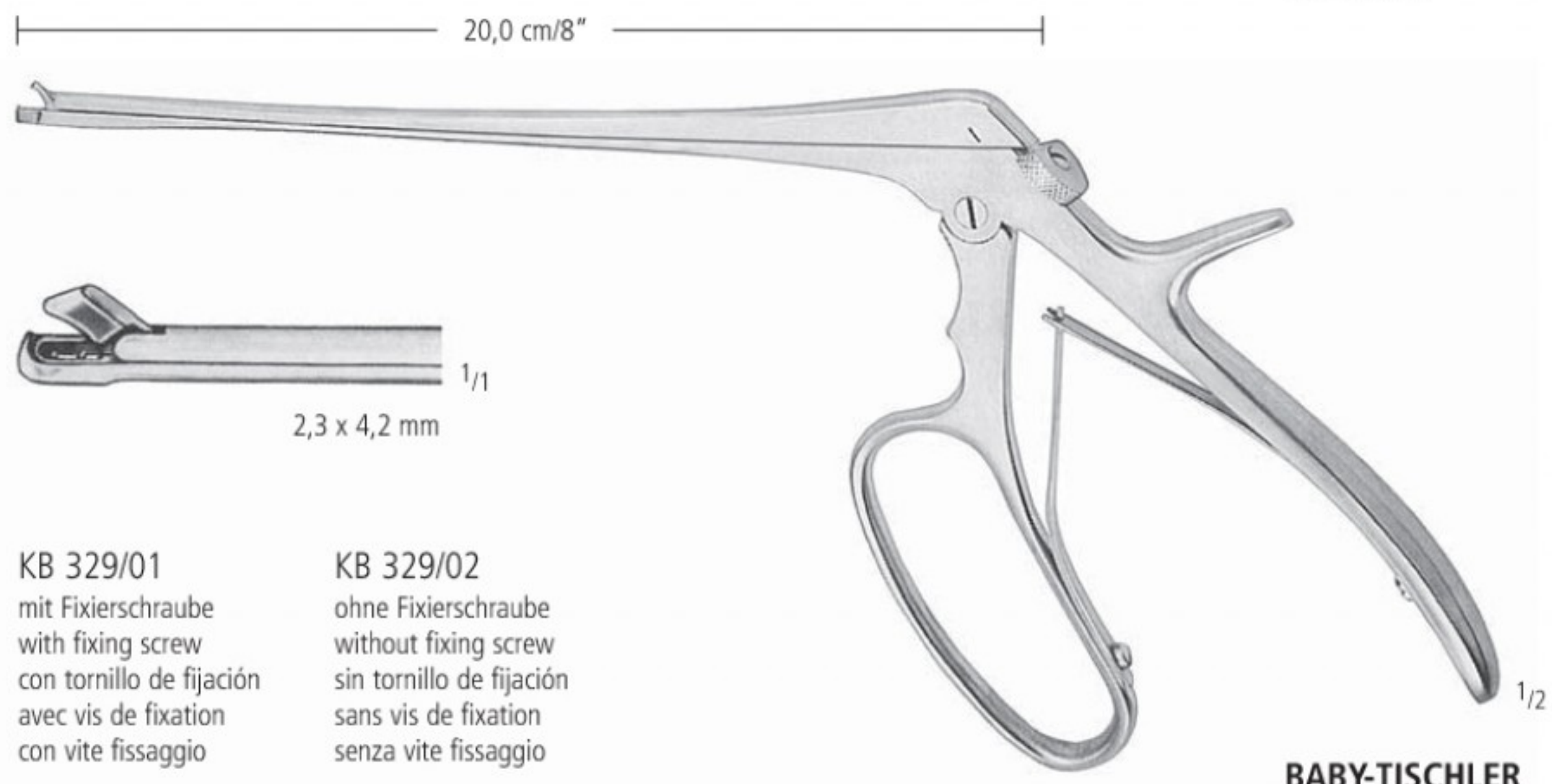
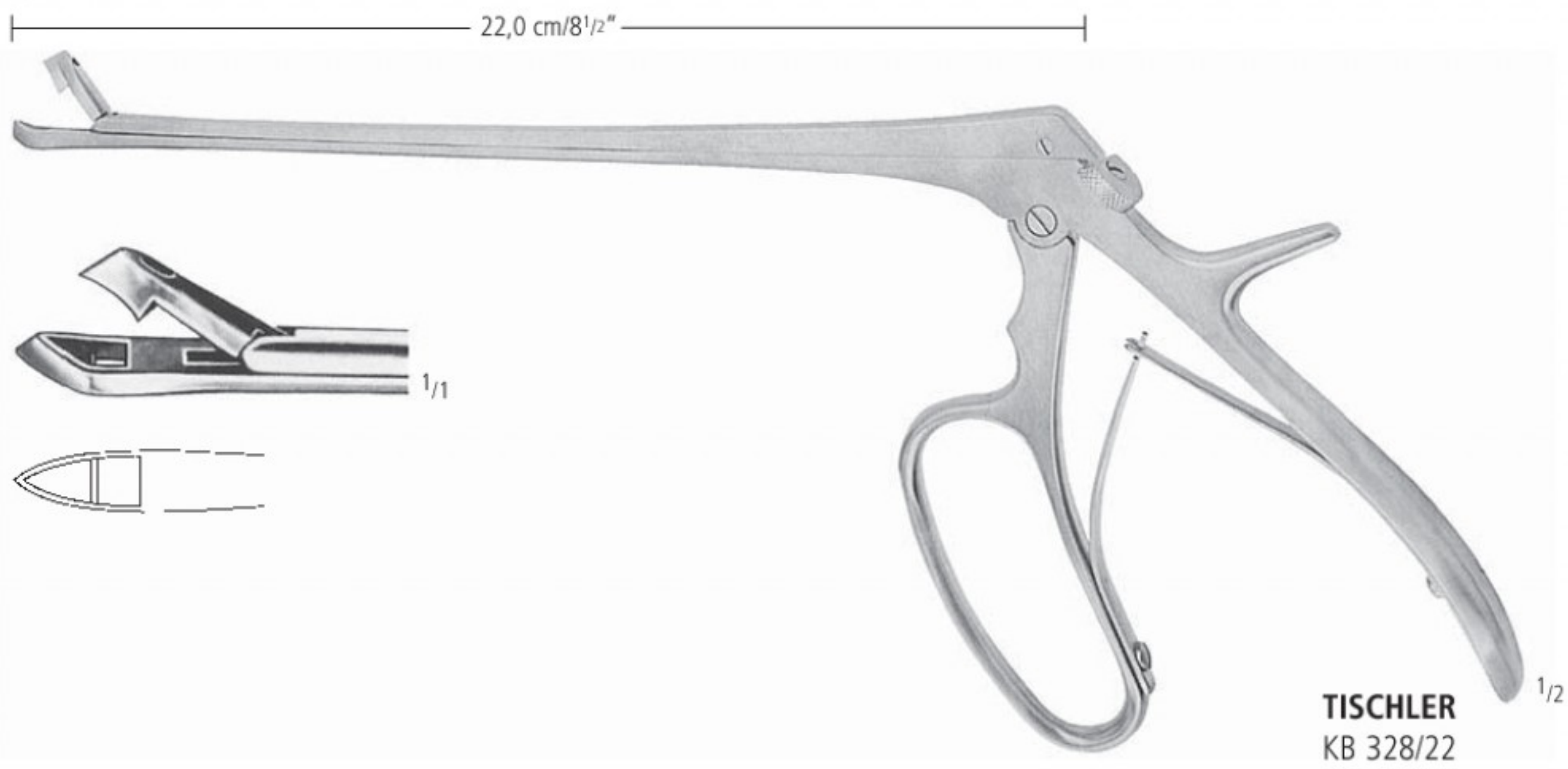
AA
AB
AC
AD
AE
AF
AK
AL
AM
AO
AP
AR
KA
KB
KC
KD
KU
KY

Uterus-Biopsiezangen
 Cervical Biopsy Forceps
 Pinzas saca bocados para biopsia
 Pincas emporte-pièces à biopsie
 Pinze taglienti per biopsia



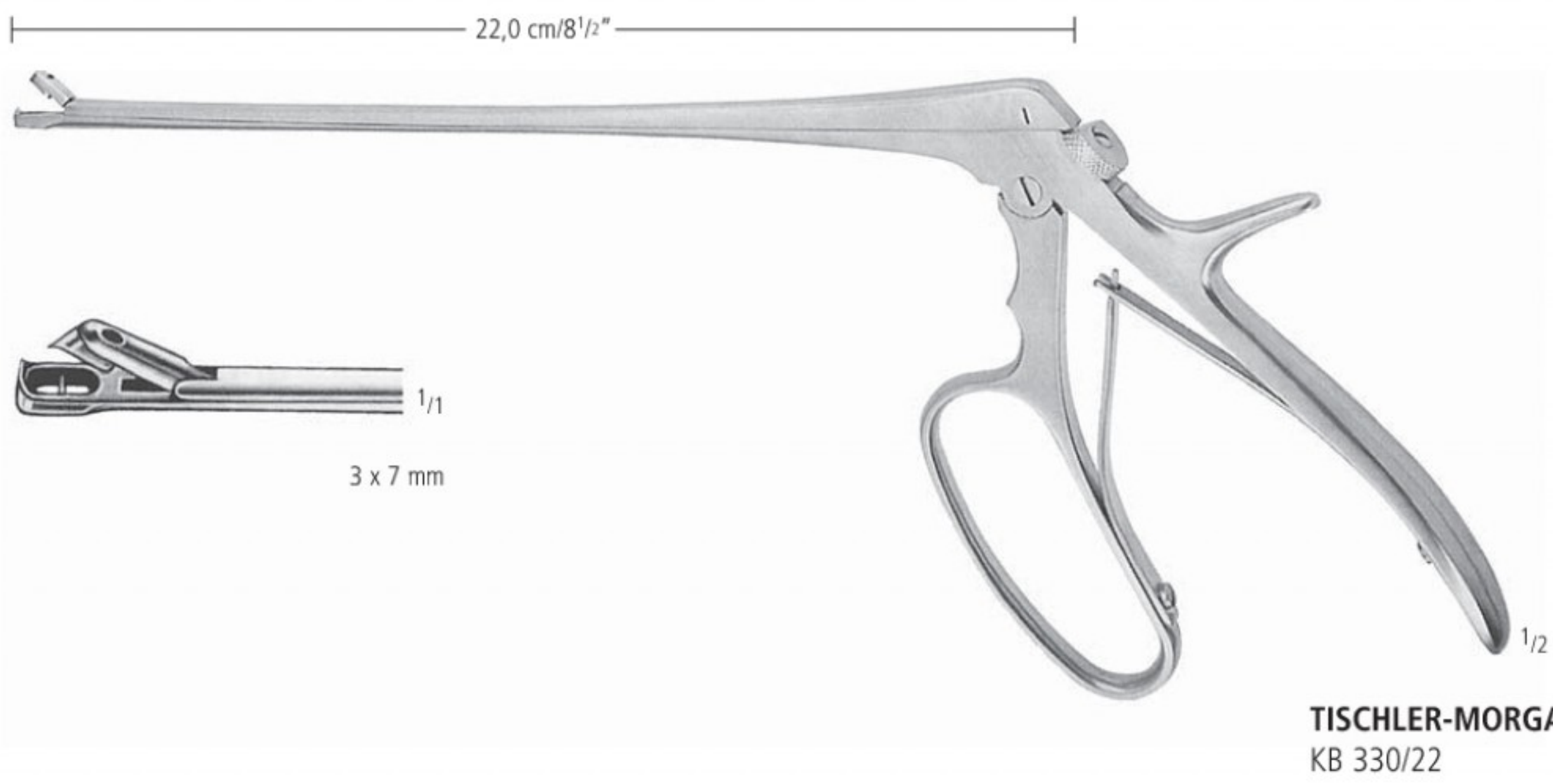
GYNÄKOLOGIE GYNECOLOGY GINECOLOGIA GYNECOLOGIE GINECOLOGIA

Uterus-Biopsiezangen
 Cervical Biopsy Forceps
 Pinzas saca bocados para biopsia
 Pincers emporte-pièces à biopsie
 Pinze taglianti per biopsia



KB 329/01
 mit Fixierschraube
 with fixing screw
 con tornillo de fijación
 avec vis de fixation
 con vite fissaggio

KB 329/02
 ohne Fixierschraube
 without fixing screw
 sin tornillo de fijación
 sans vis de fixation
 senza vite fissaggio



AA
AB
AC
AD
AE
AF
AK
AL
AM
AO
AP
AR
KA
KB
KC
KD
KU
KY

Uterus-Biopsiezangen
 Cervical Biopsy Forceps
 Pinzas saca bocados para biopsia
 Pincas emporte-pièces à biopsie
 Pinze taglianti per biopsia



GELLHORN
 KB 331/23
 23,0 cm/9"



FAURE
 KB 333/23
 23,0 cm/9"



SCHUBERT
 KB 334/21 KB 334/29
 21,0 cm/8 1/2" 29,0 cm/11 1/2"

Uterus-Biopsiezangen
 Cervical Biopsy Forceps
 Pinzas saca bocados para biopsia
 Pincers emporte-pièces à biopsie
 Pinze taglianti per biopsia

AA
 AB
 AC
 AD
 AE
 AF
 AK
 AL
 AM
 AO
 AP
 AR
 KA
 KB
 KC
 KD
 KU
 KY



THOMS-GAYLOR
 KB 335/24
 24,0 cm/9¹/₂"



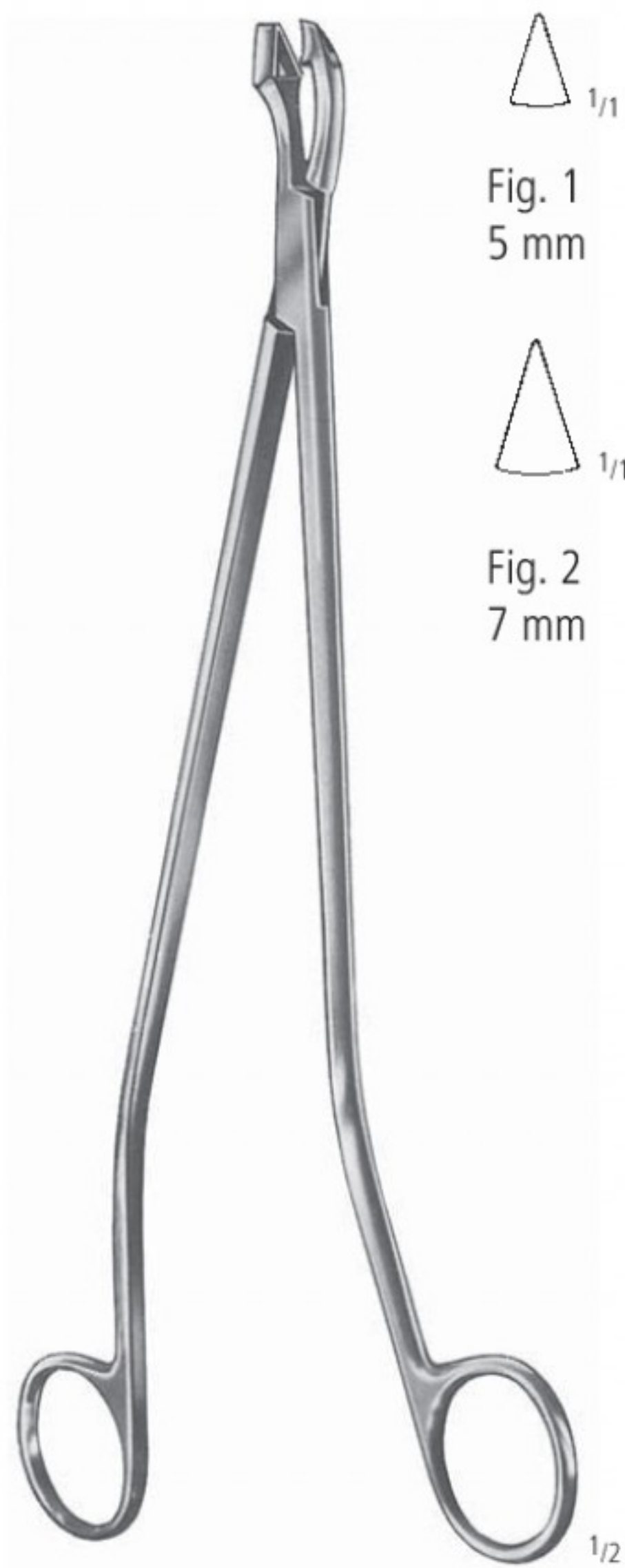
SCHUBERT
 KB 337/26
 26,0 cm/10¹/₂"



TISCHLER
 KB 338/27
 27,0 cm/10³/₄"



Uterus-Biopsiezangen
 Cervical Biopsy Forceps
 Pinzas saca bocados para biopsia
 Pincas emporte-pièces à biopsie
 Pinze taglianti per biopsia



SCHUMACHER-VAN DOREN
 KB 339/24 KB 340/24
 Fig. 1 Fig. 2
 24,0 cm/9¹/₂"



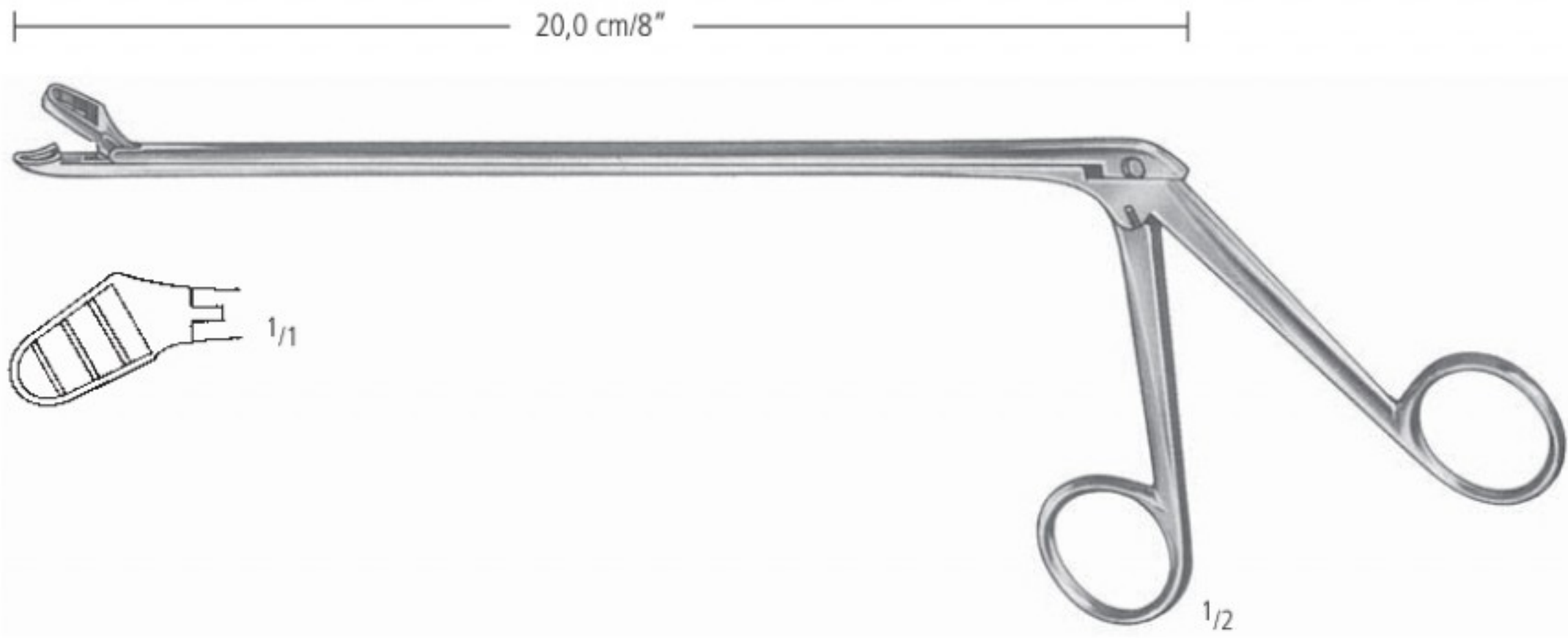
VAN DOREN
 KB 341/25
 25,0 cm/10"



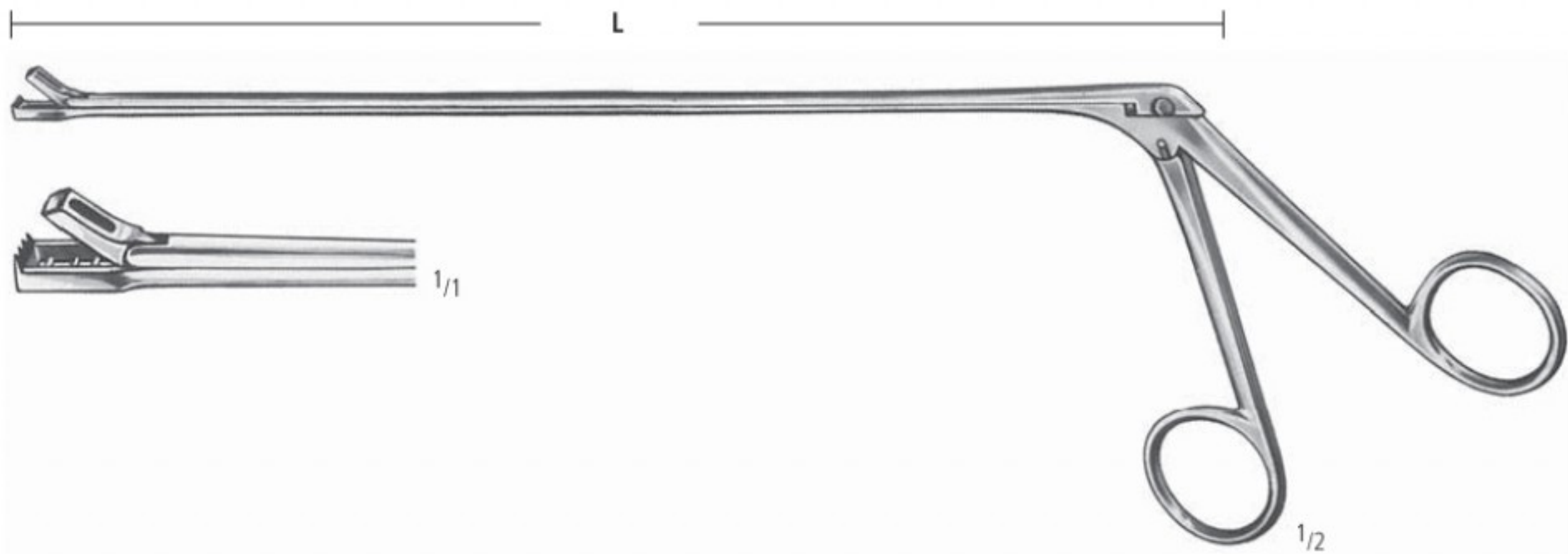
VAN DOREN
 KB 342/25
 25,0 cm/10"

GYNÄKOLOGIE GYNECOLOGY GINECOLOGIA GYNECOLOGIE GINECOLOGIA

Uterus-Biopsiezangen
 Cervical Biopsy Forceps
 Pinzas saca bocados para biopsia
 Pincers emporte-pièces à biopsie
 Pinze taglianti per biopsia



ALEXANDER
 KB 343/28



KEVORKIAN
 L = 23,0 cm/9" KB 345/23
 L = 25,0 cm/10" KB 345/25

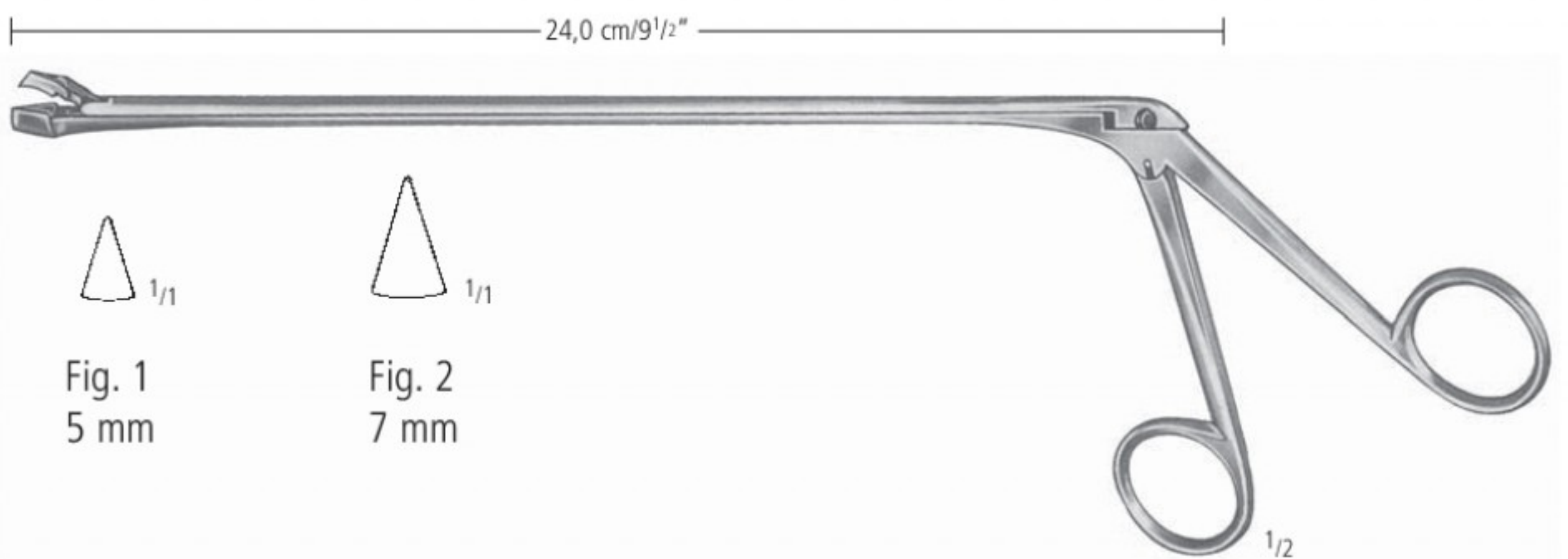


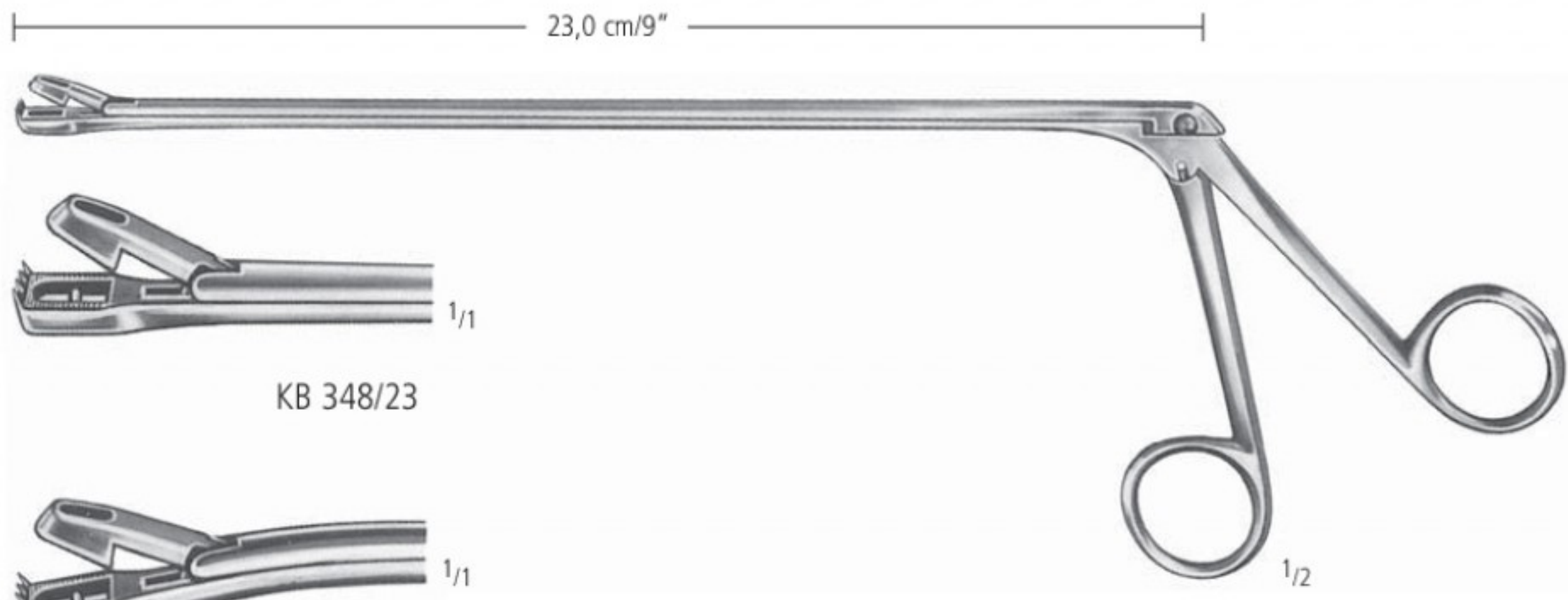
Fig. 1
 5 mm

Fig. 2
 7 mm

SCHUMACHER
 KB 347/05 KB 347/07
 5 mm 7 mm

AA
 AB
 AC
 AD
 AE
 AF
 AK
 AL
 AM
 AO
 AP
 AR
 KA
 KB
 KC
 KD
 KU
 KY

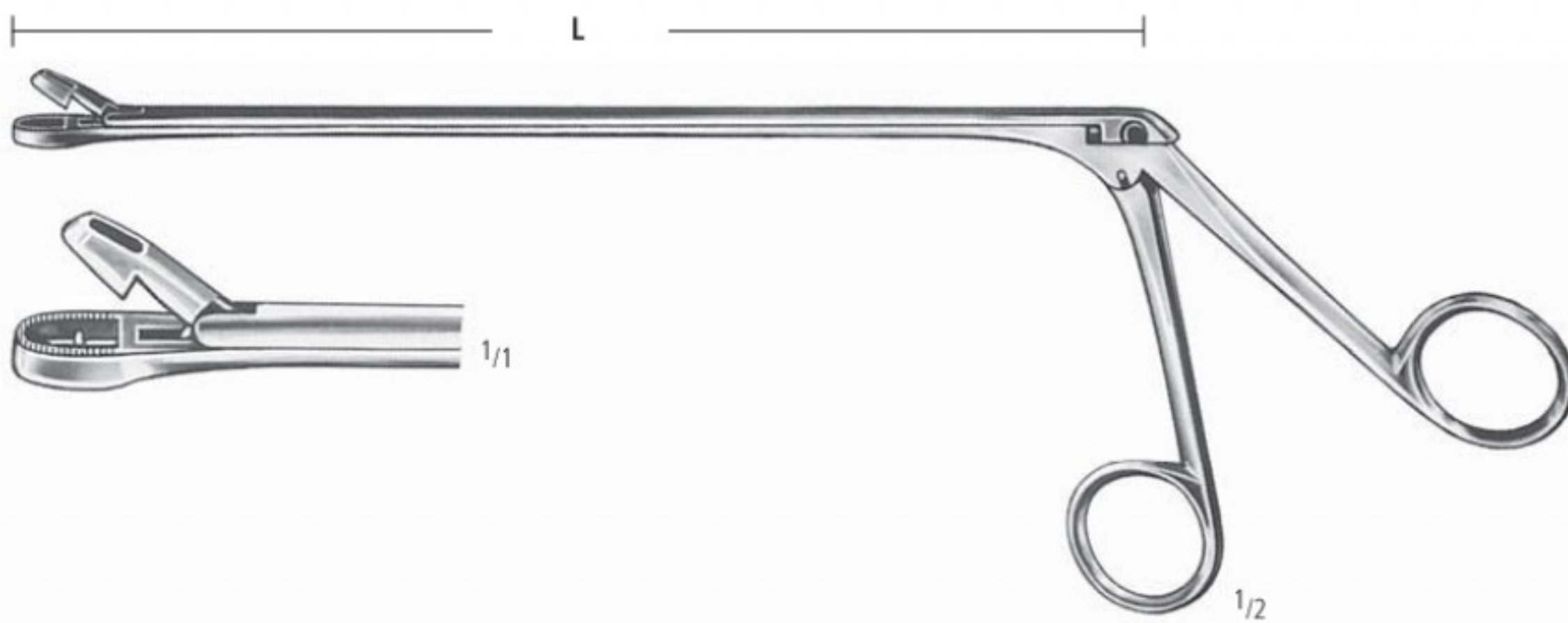
Uterus-Biopsiezangen
 Cervical Biopsy Forceps
 Pinzas saca bocados para biopsia
 Pincas emporte-pièces à biopsie
 Pinze taglianti per biopsia



KB 348/23

KB 349/23

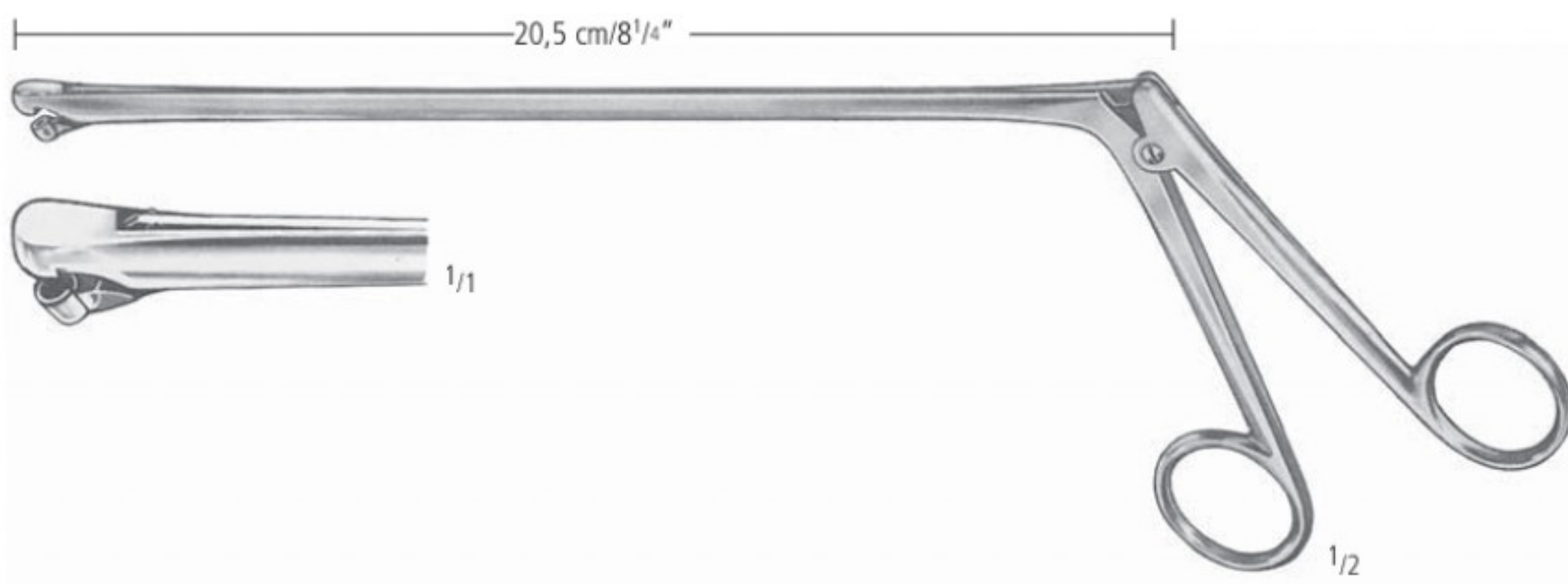
WITTNER



EPPENDORF

L = 20,0 cm/8" KB 350/20

L = 23,0 cm/9" KB 350/23

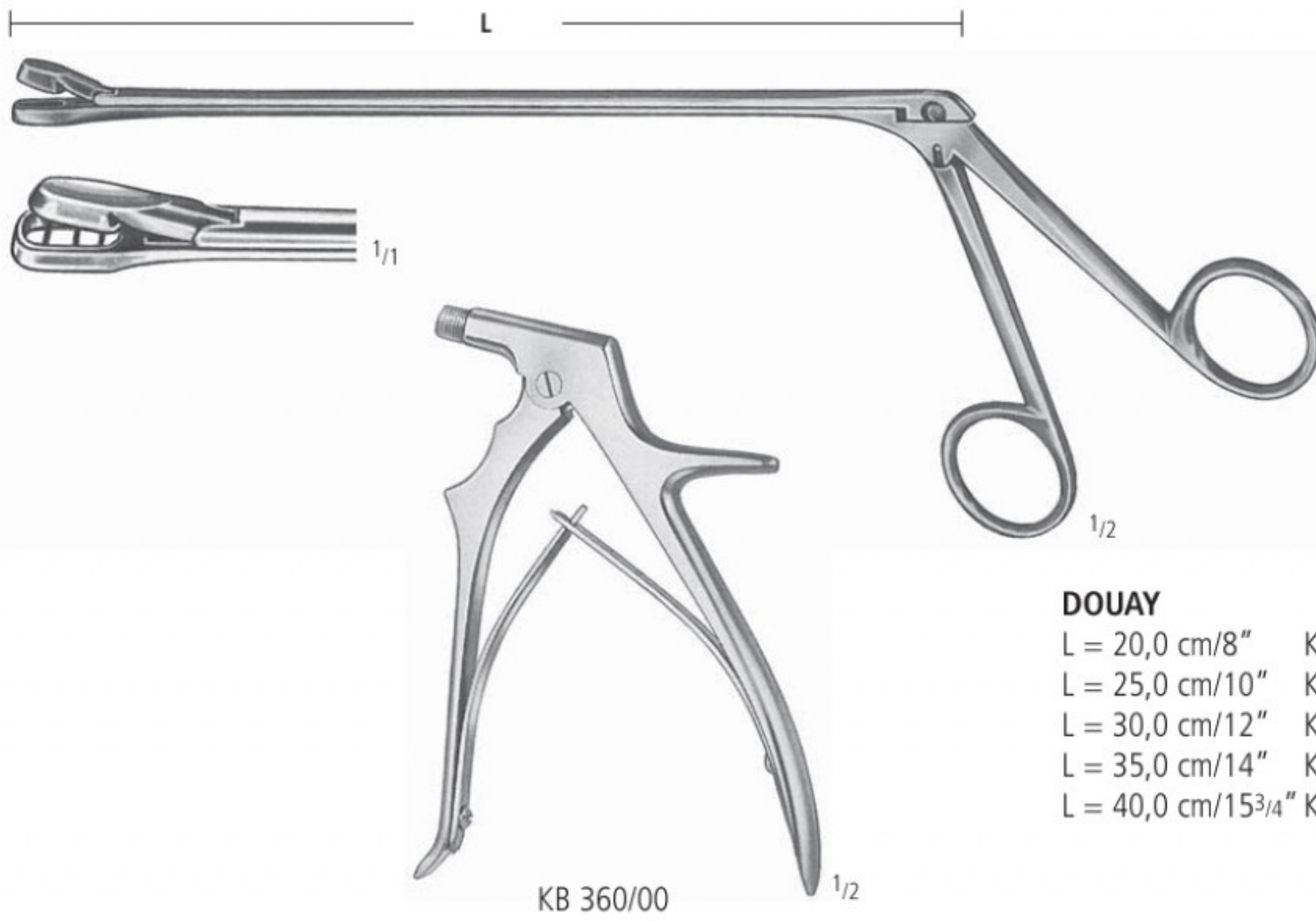


BERGER

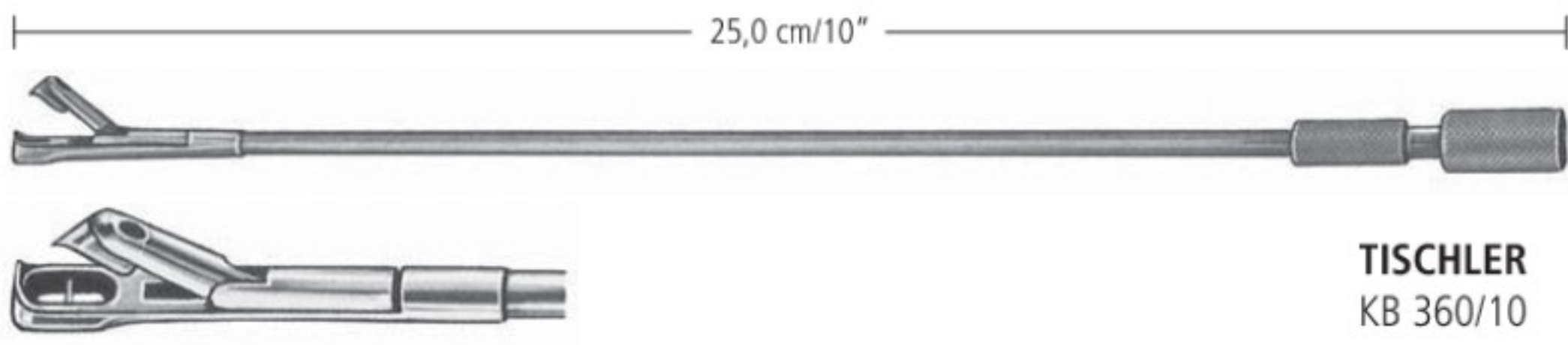
KB 352/20

GYNÄKOLOGIE GYNECOLOGY GINECOLOGIA GYNECOLOGIE GINECOLOGIA

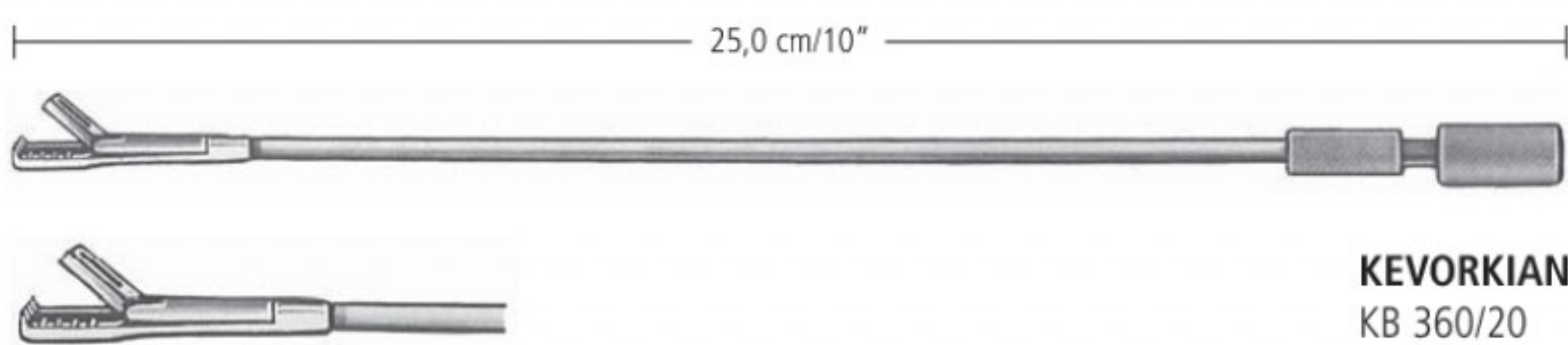
Uterus-Biopsiezangen
 Cervical Biopsy Forceps
 Pinzas saca bocados para biopsia
 Pincas emporte-pièces à biopsie
 Pinze taglianti per biopsia



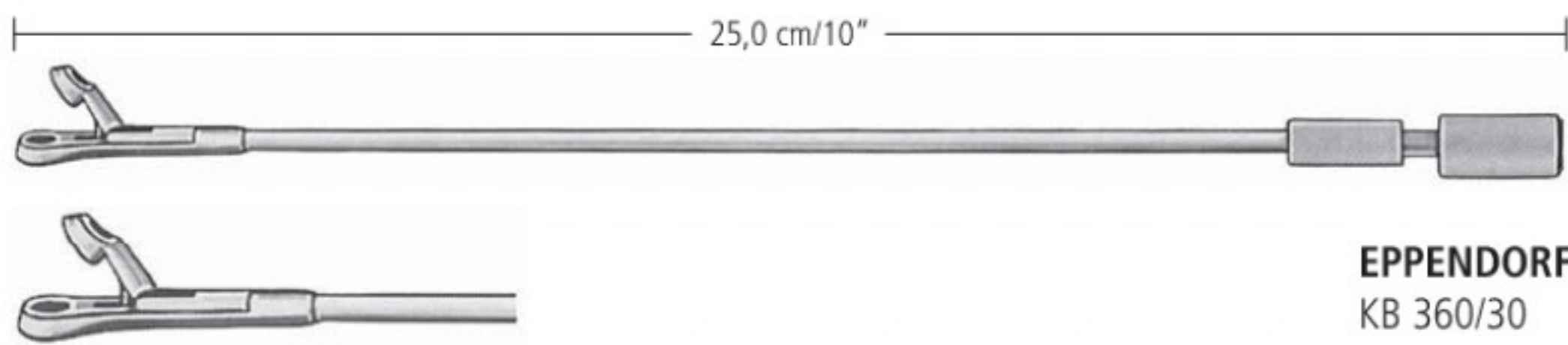
- DOUAY**
 L = 20,0 cm/8" KB 356/20
 L = 25,0 cm/10" KB 356/25
 L = 30,0 cm/12" KB 356/30
 L = 35,0 cm/14" KB 356/35
 L = 40,0 cm/15³/₄" KB 356/40



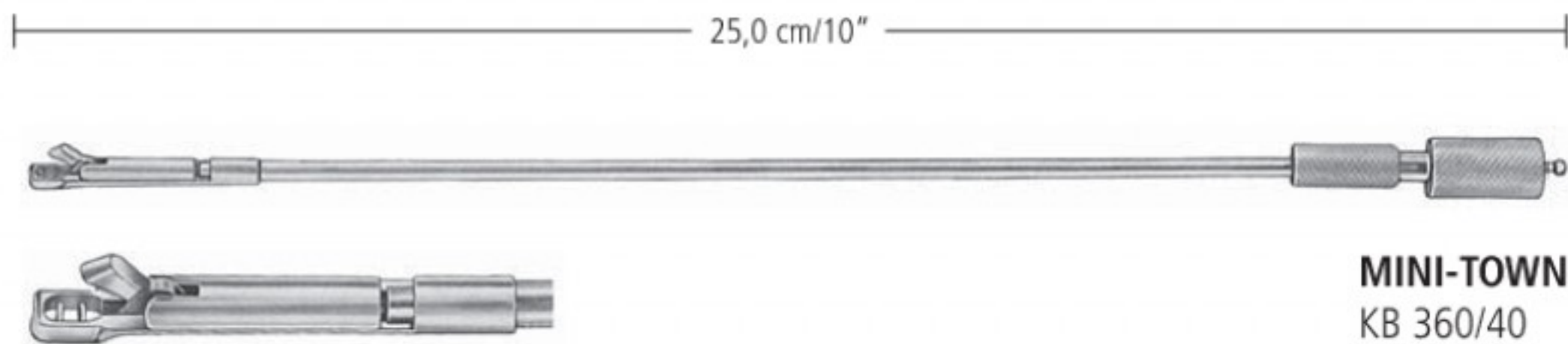
TISCHLER
 KB 360/10



KEVORKIAN
 KB 360/20



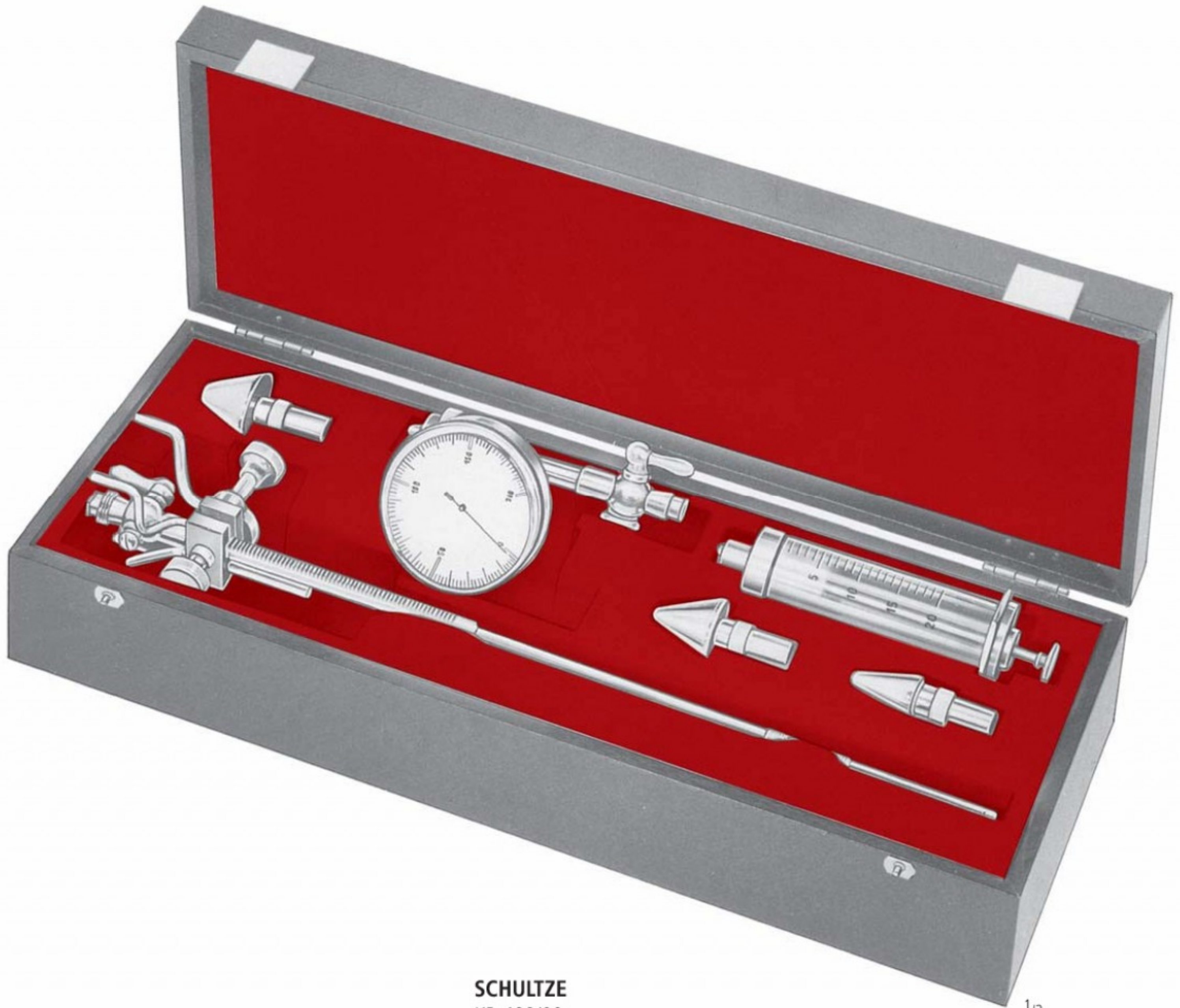
EPPENDORF
 KB 360/30



MINI-TOWNSEND
 KB 360/40

AA
 AB
 AC
 AD
 AE
 AF
 AK
 AL
 AM
 AO
 AP
 AR
 KA
 KB
 KC
 KD
 KU
 KY

Instrumentarium zur Hysterosalpingographie
Instrumentation for Hystero-Salpingography
Instrumental para histero-salpingografía
Instrumentation pour hystéro-salpingographie
Strumentario per isterosalpingografia

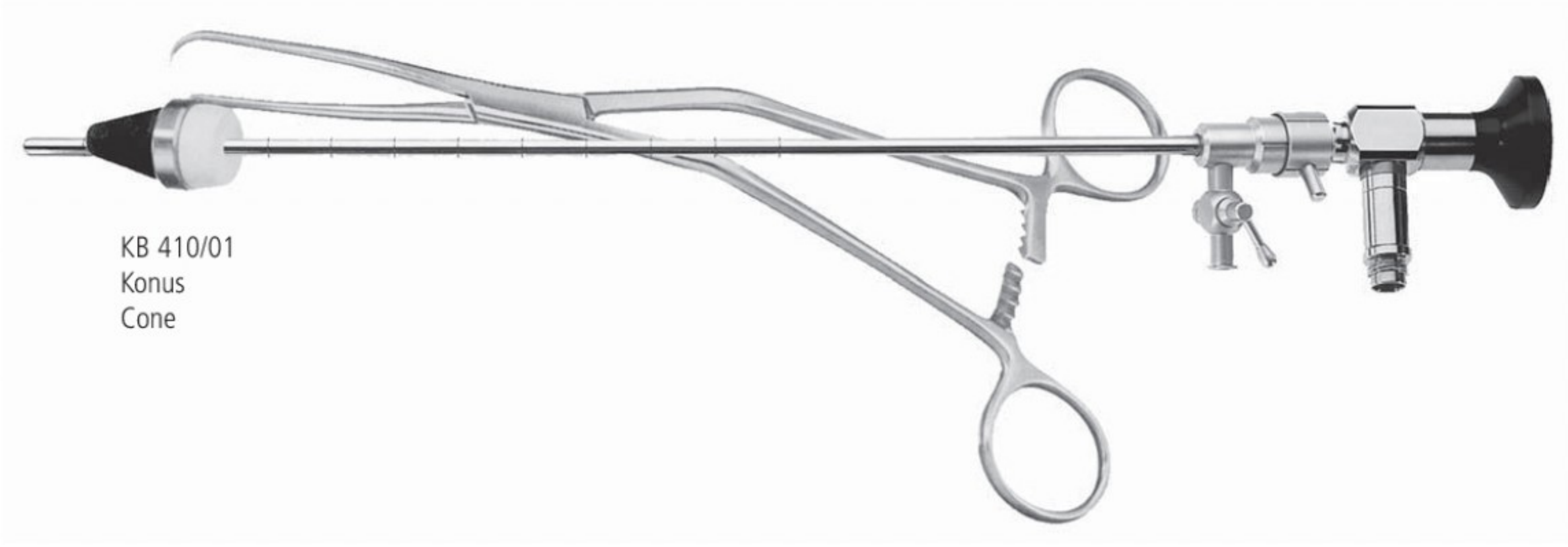


SCHULTZE
KB 400/00

komplett
complete
completo
complet
completo

Hysteroskopie
 Hysteroscopy
 Histeroscopia
 Hysteroscopie
 Isteroscopia

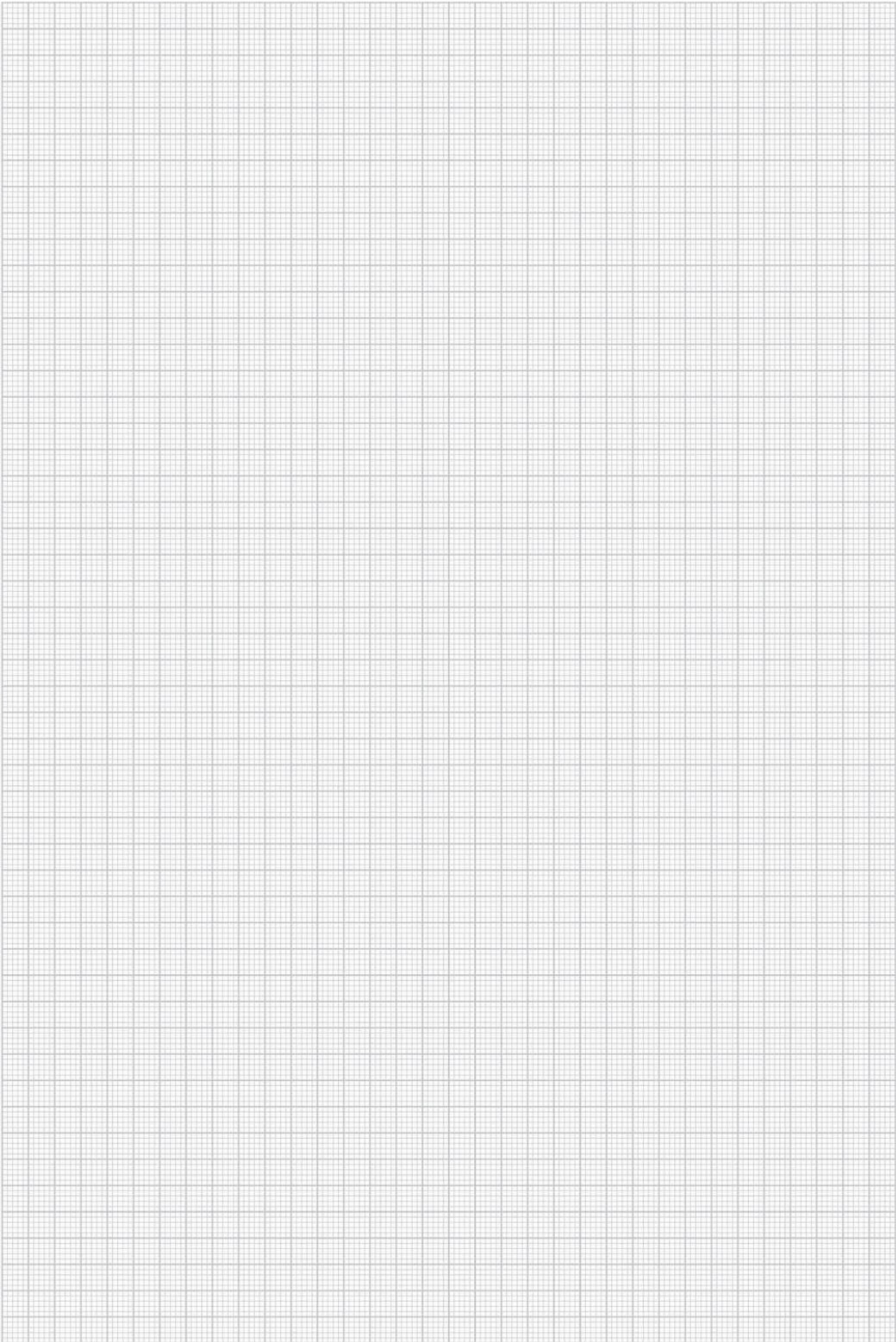
AA
 AB
 AC
 AD
 AE
 AF
 AK
 AL
 AM
 AO
 AP
 AR
 KA
 KB
 KC
 KD
 KU
 KY



KB 410/01
 Konus
 Cone

KB 410/00
 Zange + Konus
 Forceps + Cone

KB



Endoskopie, Pelviskopie
 Endoscopy, Pelviscopy
 Endoscopio, Pelviscopio
 Endoscopie, Pelviscopie
 Endoscopia, Pelviscopia

AA
AB
AC
AD
AE
AF
AK
AL
AM
AO
AP
AR
KA
KB
KC
KD
KU
KY



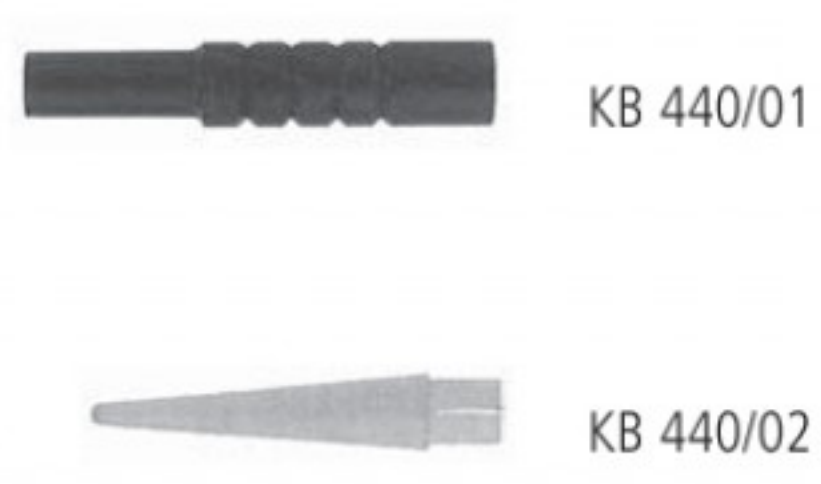
COHEN
KB 430/00

mit zwei Aufsätzen
with two cones



KB 440/00

komplett
complete
completo
complet
completo



Uterusküretten
 Uterine Curettes
 Curetas uterinas
 Curettes utérines
 Curette uterine

scharf
 sharp
 cortante
 tranchante
 taglienti



Fig. 00	5,0 mm	KB 499/00	KB 509/00	KB 519/00	KB 529/00
Fig. 0	6,0 mm	KB 500/00	KB 510/00	KB 520/00	KB 530/00
Fig. 1	7,0 mm	KB 500/01	KB 510/01	KB 520/01	KB 530/01
Fig. 2	8,0 mm	KB 500/02	KB 510/02	KB 520/02	KB 530/02
Fig. 3	9,0 mm	KB 500/03	KB 510/03	KB 520/03	KB 530/03
Fig. 4	11,0 mm	KB 500/04	KB 510/04	KB 520/04	KB 530/04
Fig. 5	12,0 mm	KB 500/05	KB 510/05	KB 520/05	KB 530/05
Fig. 6	14,0 mm	KB 500/06	KB 510/06	KB 520/06	KB 530/06
Fig. 7	15,0 mm	KB 500/07	KB 510/07	KB 520/07	KB 530/07
Fig. 8	16,0 mm	KB 500/08	KB 510/08	KB 520/08	KB 530/08
Fig. 9	19,0 mm	KB 500/09	KB 510/09	KB 520/09	KB 530/09
Fig. 10	20,0 mm	KB 500/10	KB 510/10	KB 520/10	KB 530/10
Fig. 11	21,0 mm	KB 500/11	KB 510/11	KB 520/11	KB 530/11
Fig. 12	23,0 mm	KB 500/12	KB 510/12	KB 520/12	KB 530/12

GYNÄKOLOGIE GYNECOLOGY GINECOLOGIA GYNECOLOGIE GINECOLOGIA

Uterusküretten
 Uterine Curettes
 Curetas uterinas
 Curettes utérines
 Curette uterine

stumpf
 blunt
 romo
 mousse
 smusse



31,0 cm/12¹/₄"

RECAMIER / SIMS

26,0 cm/10¹/₂"

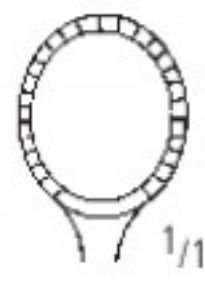
Fig. 00	5,0 mm	KB 549/00	KB 559/00	KB 569/00	KB 579/00
Fig. 0	6,0 mm	KB 550/00	KB 560/00	KB 570/00	KB 580/00
Fig. 1	7,0 mm	KB 550/01	KB 560/01	KB 570/01	KB 580/01
Fig. 2	8,0 mm	KB 550/02	KB 560/02	KB 570/02	KB 580/02
Fig. 3	9,0 mm	KB 550/03	KB 560/03	KB 570/03	KB 580/03
Fig. 4	11,0 mm	KB 550/04	KB 560/04	KB 570/04	KB 580/04
Fig. 5	12,0 mm	KB 550/05	KB 560/05	KB 570/05	KB 580/05
Fig. 6	14,0 mm	KB 550/06	KB 560/06	KB 570/06	KB 580/06
Fig. 7	15,0 mm	KB 550/07	KB 560/07	KB 570/07	KB 580/07
Fig. 8	16,0 mm	KB 550/08	KB 560/08	KB 570/08	KB 580/08
Fig. 9	19,0 mm	KB 550/09	KB 560/09	KB 570/09	KB 580/09
Fig. 10	20,0 mm	KB 550/10	KB 560/10	KB 570/10	KB 580/10
Fig. 11	21,0 mm	KB 550/11	KB 560/11	KB 570/11	KB 580/11
Fig. 12	23,0 mm	KB 550/12	KB 560/12	KB 570/12	KB 580/12

AA
 AB
 AC
 AD
 AE
 AF
 AG
 AH
 AI
 AJ
 AK
 AL
 AM
 AN
 AO
 AP
 AQ
 AR
 AS
 AT
 AU
 AV
 AW
 AX
 AY
 AZ
 BA
 BB
 BC
 BD
 BE
 BF
 BG
 BH
 BI
 BJ
 BK
 BL
 BM
 BN
 BO
 BP
 BQ
 BR
 BS
 BT
 BU
 BV
 BW
 BX
 BY
 BZ
 CA
 CB
 CC
 CD
 CE
 CF
 CG
 CH
 CI
 CJ
 CK
 CL
 CM
 CN
 CO
 CP
 CQ
 CR
 CS
 CT
 CU
 CV
 CW
 CX
 CY
 CZ
 DA
 DB
 DC
 DD
 DE
 DF
 DG
 DH
 DI
 DJ
 DK
 DL
 DM
 DN
 DO
 DP
 DQ
 DR
 DS
 DT
 DU
 DV
 DW
 DX
 DY
 DZ
 EA
 EB
 EC
 ED
 EE
 EF
 EG
 EH
 EI
 EJ
 EK
 EL
 EM
 EN
 EO
 EP
 EQ
 ER
 ES
 ET
 EU
 EV
 EW
 EX
 EY
 EZ
 FA
 FB
 FC
 FD
 FE
 FF
 FG
 FH
 FI
 FJ
 FK
 FL
 FM
 FN
 FO
 FP
 FQ
 FR
 FS
 FT
 FU
 FV
 FW
 FX
 FY
 FZ
 GA
 GB
 GC
 GD
 GE
 GF
 GG
 GH
 GI
 GJ
 GK
 GL
 GM
 GN
 GO
 GP
 GQ
 GR
 GS
 GT
 GU
 GV
 GW
 GX
 GY
 GZ
 HA
 HB
 HC
 HD
 HE
 HF
 HG
 HH
 HI
 HJ
 HK
 HL
 HM
 HN
 HO
 HP
 HQ
 HR
 HS
 HT
 HU
 HV
 HW
 HX
 HY
 HZ
 IA
 IB
 IC
 ID
 IE
 IF
 IG
 IH
 II
 IJ
 IK
 IL
 IM
 IN
 IO
 IP
 IQ
 IR
 IS
 IT
 IU
 IV
 IW
 IX
 IY
 IZ
 JA
 JB
 JC
 JD
 JE
 JF
 JG
 JH
 JI
 JJ
 JK
 JL
 JM
 JN
 JO
 JP
 JQ
 JR
 JS
 JT
 JU
 JV
 JW
 JX
 JY
 JZ
 KA
 KB
 KC
 KD
 KE
 KF
 KG
 KH
 KI
 KJ
 KK
 KL
 KM
 KN
 KO
 KP
 KQ
 KR
 KS
 KT
 KU
 KV
 KW
 KX
 KY
 KZ
 LA
 LB
 LC
 LD
 LE
 LF
 LG
 LH
 LI
 LJ
 LK
 LL
 LM
 LN
 LO
 LP
 LQ
 LR
 LS
 LT
 LU
 LV
 LW
 LX
 LY
 LZ
 MA
 MB
 MC
 MD
 ME
 MF
 MG
 MH
 MI
 MJ
 MK
 ML
 MM
 MN
 MO
 MP
 MQ
 MR
 MS
 MT
 MU
 MV
 MW
 MX
 MY
 MZ
 NA
 NB
 NC
 ND
 NE
 NF
 NG
 NH
 NI
 NJ
 NK
 NL
 NM
 NN
 NO
 NP
 NQ
 NR
 NS
 NT
 NU
 NV
 NW
 NX
 NY
 NZ
 OA
 OB
 OC
 OD
 OE
 OF
 OG
 OH
 OI
 OJ
 OK
 OL
 OM
 ON
 OO
 OP
 OQ
 OR
 OS
 OT
 OU
 OV
 OW
 OX
 OY
 OZ
 PA
 PB
 PC
 PD
 PE
 PF
 PG
 PH
 PI
 PJ
 PK
 PL
 PM
 PN
 PO
 PP
 PQ
 PR
 PS
 PT
 PU
 PV
 PW
 PX
 PY
 PZ
 QA
 QB
 QC
 QD
 QE
 QF
 QG
 QH
 QI
 QJ
 QK
 QL
 QM
 QN
 QO
 QP
 QQ
 QR
 QS
 QT
 QU
 QV
 QW
 QX
 QY
 QZ
 RA
 RB
 RC
 RD
 RE
 RF
 RG
 RH
 RI
 RJ
 RK
 RL
 RM
 RN
 RO
 RP
 RQ
 RR
 RS
 RT
 RU
 RV
 RW
 RX
 RY
 RZ
 SA
 SB
 SC
 SD
 SE
 SF
 SG
 SH
 SI
 SJ
 SK
 SL
 SM
 SN
 SO
 SP
 SQ
 SR
 SS
 ST
 SU
 SV
 SW
 SX
 SY
 SZ
 TA
 TB
 TC
 TD
 TE
 TF
 TG
 TH
 TI
 TJ
 TK
 TL
 TM
 TN
 TO
 TP
 TQ
 TR
 TS
 TT
 TU
 TV
 TW
 TX
 TY
 TZ
 UA
 UB
 UC
 UD
 UE
 UF
 UG
 UH
 UI
 UJ
 UK
 UL
 UM
 UN
 UO
 UP
 UQ
 UR
 US
 UT
 UY
 UZ
 VA
 VB
 VC
 VD
 VE
 VF
 VG
 VH
 VI
 VJ
 VK
 VL
 VM
 VN
 VO
 VP
 VQ
 VR
 VS
 VT
 VU
 VV
 VW
 VX
 VY
 VZ
 WA
 WB
 WC
 WD
 WE
 WF
 WG
 WH
 WI
 WJ
 WK
 WL
 WM
 WN
 WO
 WP
 WQ
 WR
 WS
 WT
 WU
 WV
 WW
 WX
 WY
 WZ
 XA
 XB
 XC
 XD
 XE
 XF
 XG
 XH
 XI
 XJ
 XK
 XL
 XM
 XN
 XO
 XP
 XQ
 XR
 XS
 XT
 XU
 XV
 XW
 XX
 XY
 XZ
 YA
 YB
 YC
 YD
 YE
 YF
 YG
 YH
 YI
 YJ
 YK
 YL
 YM
 YN
 YO
 YP
 YQ
 YR
 YS
 YT
 YU
 YV
 YW
 YX
 YZ
 ZA
 ZB
 ZC
 ZD
 ZE
 ZF
 ZG
 ZH
 ZI
 ZJ
 ZK
 ZL
 ZM
 ZN
 ZO
 ZP
 ZQ
 ZR
 ZS
 ZT
 ZU
 ZV
 ZW
 ZX
 ZY
 ZZ

Uterusküretten
 Uterine Curettes
 Curetas uterinas
 Curettes utérines
 Curette uterine



COLLIN
 28,0 cm/11"



8,0 mm
 KB 590/08



10,0 mm
 KB 590/10



12,0 mm
 KB 590/12



14,0 mm
 KB 590/14



BLAKE
 KB 592/27
 27,0 cm/10¹/₂"



scharf
 sharp
 cortante
 tranchante
 taglienti



stumpf
 blunt
 romo
 mousse
 smusse

Uteruslöffel
 Uterine Scoops
 Cucharillas y curetas uterinas
 Curettes utérines
 Curette uterine

AA
 AB
 AC
 AD
 AE
 AF
 AG
 AH
 AI
 AJ
 AK
 AL
 AM
 AN
 AO
 AP
 AQ
 AR
 AS
 AT
 AU
 AV
 AW
 AX
 AY
 AZ
 BA
 BB
 BC
 BD
 BE
 BF
 BG
 BH
 BI
 BJ
 BK
 BL
 BM
 BN
 BO
 BP
 BQ
 BR
 BS
 BT
 BU
 BV
 BW
 BX
 BY
 BZ
 CA
 CB
 CC
 CD
 CE
 CF
 CG
 CH
 CI
 CJ
 CK
 CL
 CM
 CN
 CO
 CP
 CQ
 CR
 CS
 CT
 CU
 CV
 CW
 CX
 CY
 CZ
 DA
 DB
 DC
 DD
 DE
 DF
 DG
 DH
 DI
 DJ
 DK
 DL
 DM
 DN
 DO
 DP
 DQ
 DR
 DS
 DT
 DU
 DV
 DW
 DX
 DY
 DZ
 EA
 EB
 EC
 ED
 EE
 EF
 EG
 EH
 EI
 EJ
 EK
 EL
 EM
 EN
 EO
 EP
 EQ
 ER
 ES
 ET
 EU
 EV
 EW
 EX
 EY
 EZ
 FA
 FB
 FC
 FD
 FE
 FF
 FG
 FH
 FI
 FJ
 FK
 FL
 FM
 FN
 FO
 FP
 FQ
 FR
 FS
 FT
 FU
 FV
 FW
 FX
 FY
 FZ
 GA
 GB
 GC
 GD
 GE
 GF
 GG
 GH
 GI
 GJ
 GK
 GL
 GM
 GN
 GO
 GP
 GQ
 GR
 GS
 GT
 GU
 GV
 GW
 GX
 GY
 GZ
 HA
 HB
 HC
 HD
 HE
 HF
 HG
 HH
 HI
 HJ
 HK
 HL
 HM
 HN
 HO
 HP
 HQ
 HR
 HS
 HT
 HU
 HV
 HW
 HX
 HY
 HZ
 IA
 IB
 IC
 ID
 IE
 IF
 IG
 IH
 II
 IJ
 IK
 IL
 IM
 IN
 IO
 IP
 IQ
 IR
 IS
 IT
 IU
 IV
 IW
 IX
 IY
 IZ
 JA
 JB
 JC
 JD
 JE
 JF
 JG
 JH
 JI
 JJ
 JK
 JL
 JM
 JN
 JO
 JP
 JQ
 JR
 JS
 JT
 JU
 JV
 JW
 JX
 JY
 JZ
 KA
 KB
 KC
 KD
 KE
 KF
 KG
 KH
 KI
 KJ
 KK
 KL
 KM
 KN
 KO
 KP
 KQ
 KR
 KS
 KT
 KU
 KV
 KW
 KX
 KY
 KZ
 LA
 LB
 LC
 LD
 LE
 LF
 LG
 LH
 LI
 LJ
 LK
 LL
 LM
 LN
 LO
 LP
 LQ
 LR
 LS
 LT
 LU
 LV
 LW
 LX
 LY
 LZ
 MA
 MB
 MC
 MD
 ME
 MF
 MG
 MH
 MI
 MJ
 MK
 ML
 MM
 MN
 MO
 MP
 MQ
 MR
 MS
 MT
 MU
 MV
 MW
 MX
 MY
 MZ
 NA
 NB
 NC
 ND
 NE
 NF
 NG
 NH
 NI
 NJ
 NK
 NL
 NM
 NN
 NO
 NP
 NQ
 NR
 NS
 NT
 NU
 NV
 NW
 NX
 NY
 NZ
 OA
 OB
 OC
 OD
 OE
 OF
 OG
 OH
 OI
 OJ
 OK
 OL
 OM
 ON
 OO
 OP
 OQ
 OR
 OS
 OT
 OU
 OV
 OW
 OX
 OY
 OZ
 PA
 PB
 PC
 PD
 PE
 PF
 PG
 PH
 PI
 PJ
 PK
 PL
 PM
 PN
 PO
 PP
 PQ
 PR
 PS
 PT
 PU
 PV
 PW
 PX
 PY
 PZ
 QA
 QB
 QC
 QD
 QE
 QF
 QG
 QH
 QI
 QJ
 QK
 QL
 QM
 QN
 QO
 QP
 QQ
 QR
 QS
 QT
 QU
 QV
 QW
 QX
 QY
 QZ
 RA
 RB
 RC
 RD
 RE
 RF
 RG
 RH
 RI
 RJ
 RK
 RL
 RM
 RN
 RO
 RP
 RQ
 RR
 RS
 RT
 RU
 RV
 RW
 RX
 RY
 RZ
 SA
 SB
 SC
 SD
 SE
 SF
 SG
 SH
 SI
 SJ
 SK
 SL
 SM
 SN
 SO
 SP
 SQ
 SR
 SS
 ST
 SU
 SV
 SW
 SX
 SY
 SZ
 TA
 TB
 TC
 TD
 TE
 TF
 TG
 TH
 TI
 TJ
 TK
 TL
 TM
 TN
 TO
 TP
 TQ
 TR
 TS
 TT
 TU
 TV
 TW
 TX
 TY
 TZ
 UA
 UB
 UC
 UD
 UE
 UF
 UG
 UH
 UI
 UJ
 UK
 UL
 UM
 UN
 UO
 UP
 UQ
 UR
 US
 UT
 UY
 UZ
 VA
 VB
 VC
 VD
 VE
 VF
 VG
 VH
 VI
 VJ
 VK
 VL
 VM
 VN
 VO
 VP
 VQ
 VR
 VS
 VT
 VU
 VV
 VW
 VX
 VY
 VZ
 WA
 WB
 WC
 WD
 WE
 WF
 WG
 WH
 WI
 WJ
 WK
 WL
 WM
 WN
 WO
 WP
 WQ
 WR
 WS
 WT
 WU
 WV
 WW
 WX
 WY
 WZ
 XA
 XB
 XC
 XD
 XE
 XF
 XG
 XH
 XI
 XJ
 XK
 XL
 XM
 XN
 XO
 XP
 XQ
 XR
 XS
 XT
 XU
 XV
 XW
 XX
 XY
 XZ
 YA
 YB
 YC
 YD
 YE
 YF
 YG
 YH
 YI
 YJ
 YK
 YL
 YM
 YN
 YO
 YP
 YQ
 YR
 YS
 YT
 YU
 YV
 YW
 YX
 YZ
 ZA
 ZB
 ZC
 ZD
 ZE
 ZF
 ZG
 ZH
 ZI
 ZJ
 ZK
 ZL
 ZM
 ZN
 ZO
 ZP
 ZQ
 ZR
 ZS
 ZT
 ZU
 ZV
 ZW
 ZX
 ZY
 ZZ



25,0 cm/10"
 30,0 cm/12"

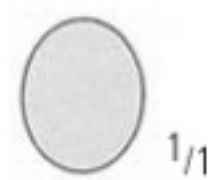


Fig. 1
 KB 594/01
 KB 595/01



Fig. 2
 KB 594/02
 KB 595/02

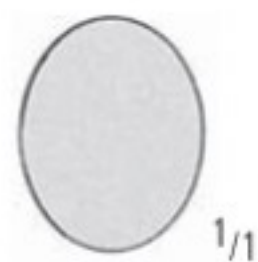


Fig. 3
 KB 594/03
 KB 595/03



Fig. 4
 KB 594/04
 KB 595/04

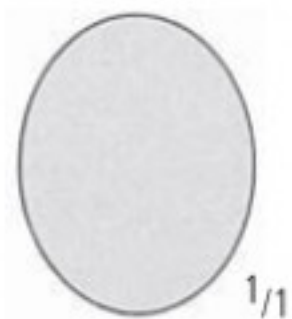


Fig. 5
 KB 594/05
 KB 595/05

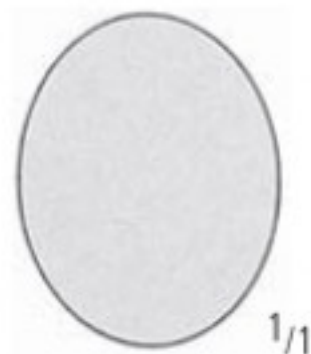
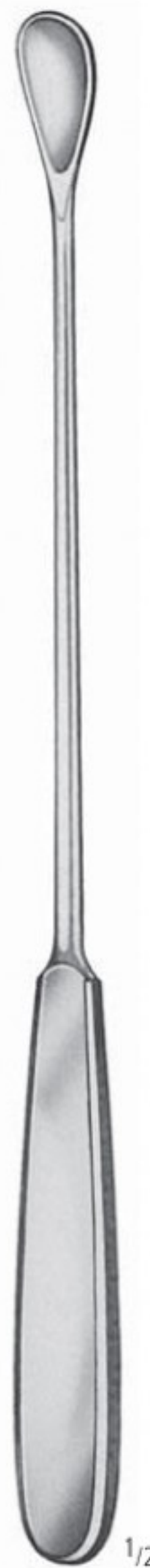


Fig. 6
 KB 594/06
 KB 595/06

25,0 cm/10"
 30,0 cm/12"

SIMON / SCHRÖDER



GOURDET
 28,0 cm/11"

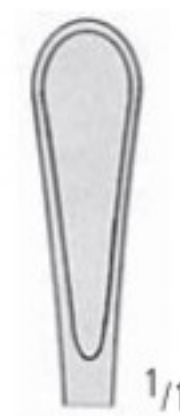


Fig. 1
 KB 596/01



Fig. 2
 KB 596/02



Fig. 3
 KB 596/03



Fig. 4
 KB 596/04



Fig. 5
 KB 596/05

KB

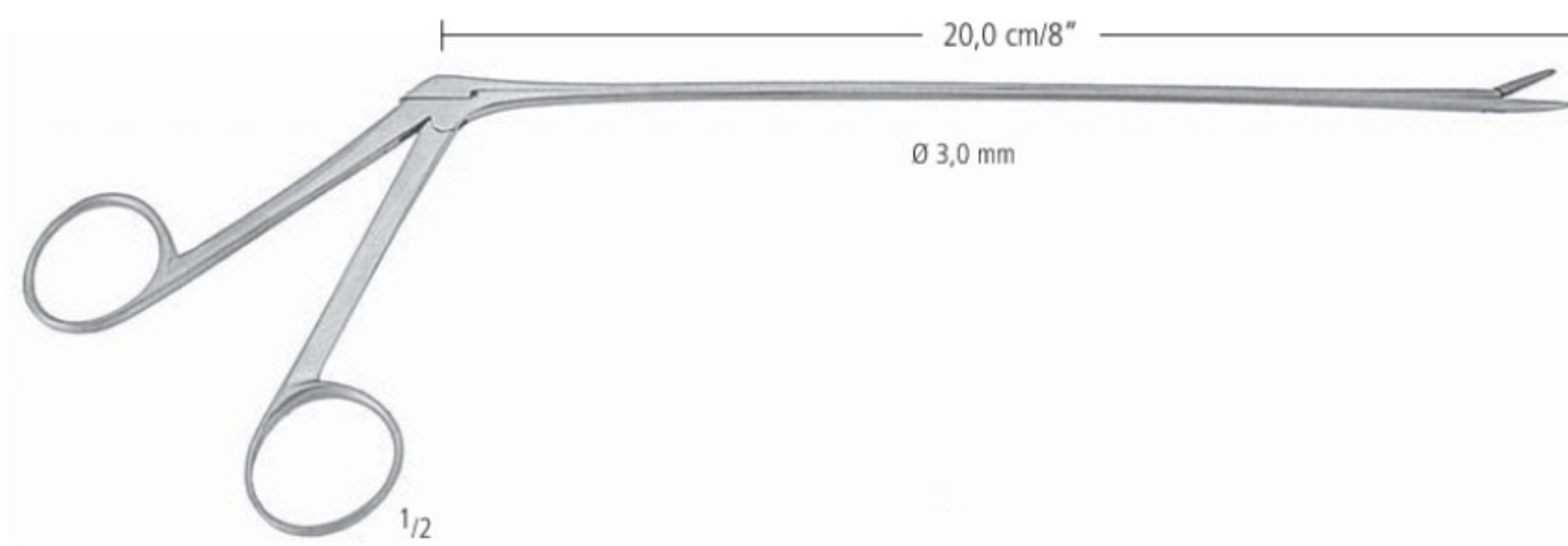
KC

KD

KU

KY

Instrumente für die Entfernung von Spiralen
Instruments for Removal of I.U.D.
Instrumentos para remover dispositivo intrauterino
Instruments pour retirer le stérilet
Strumenti per la rimozione dello I.U.D.



KB 598/20



SAUNDERS
KB 599/31
31,0 cm/12¹/₄"

GYNÄKOLOGIE GYNECOLOGY GINECOLOGIA GYNECOLOGIE GINECOLOGIA

Instrumente für Mini-Laparotomie
 Instruments for Mini-Laparotomy
 Instrumentas para Mini-Laparotomia
 Instruments pour la Mini-Laparotomie
 Strumenti per Mini-Laparotomia



1/2

Uterus-Manipulator
 Uterine manipulator

RAMATHIBODI
 KB 630/27
 27,5 cm/10³/₄"



1/2

Tuben-Haken
 Tubal hook

RAMATHIBODI
 KB 631/25
 25 cm/10"

AA
 AB
 AC
 AD
 AE
 AF
 AK
 AL
 AM
 AO
 AP
 AR
 KA
KB
 KC
 KD
 KU
 KY

GEBURTSHILFE
OBSTETRICS
OBSTETRICIA
ACCOUCHEMENTS
OSTETRICIA

KB

nopa[®] instruments



Beckenzirkel, Geburtszangen
 Pelvimeters, Obstetrical Forceps
 Pelvimetros, Forceps obstétrico
 Compas pelvimètre, Forceps obstétriques
 Pelvimetri, Pinza ostetrica



MARTIN
 KB 700/34
 34,0 cm/13¹/₃"



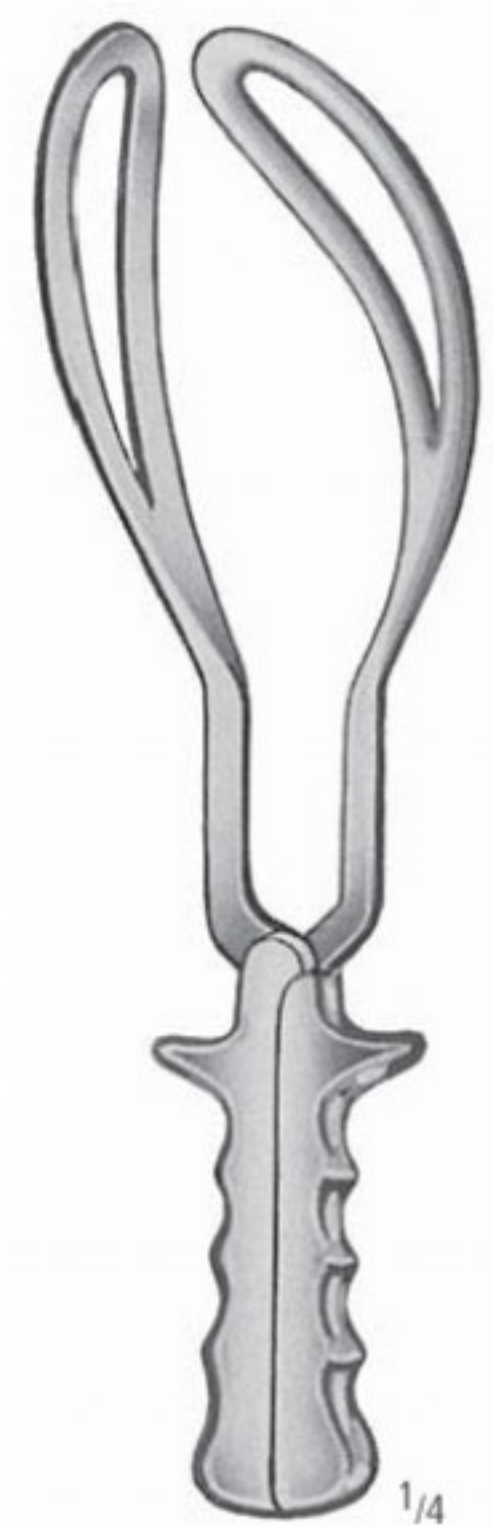
NAEGELE
 KB 730/36 36,0 cm/14"
 KB 730/40 40,0 cm/15³/₄"



SIMPSON
 KB 732/23
 23,0 cm/9"



SIMPSON
 KB 734/30
 30,0 cm/12"



SIMPSON-BRAUN
 KB 736/36
 36,0 cm/14"

GEBURTSHILFE OBSTETRICS OBSTETRICIA ACCOUCHEMENTS OSTETRICIA

Geburtszangen
 Obstetrical Forceps
 Forceps obstétrico
 Forceps obstétriques
 Pinza ostetrica



McLEAN
 KB 744/36
 36,0 cm/14"



KIELLAND
 KB 752/41
 41,0 cm/16"



KIELLAND-LUIKART
 KB 754/40
 40,0 cm/15³/₄"



WRIGLEY
 KB 756/28
 28,0 cm/11"



DE LEE
 KB 758/30
 30,0 cm/12"



PIPER
 KB 760/44
 44,0 cm/17¹/₃"

AA
 AB
 AC
 AD
 AE
 AF
 AK
 AL
 AM
 AO
 AP
 AR
 KA
KB
 KC
 KD
 KU
 KY

Plazentar- und Abortuszangen
 Placenta and Ovum Forceps
 Pinzas para aborto y placenta
 Pincas à faux germes et placenta
 Pinze per aborto e placenta



Fig. 1



Fig. 2



Fig. 3

1/3

WINTER

28,0 cm/11"

Fig. 1 KB 780/01

Fig. 2 KB 780/02

Fig. 3 KB 780/03



1/3

WINTER

28,0 cm/11"

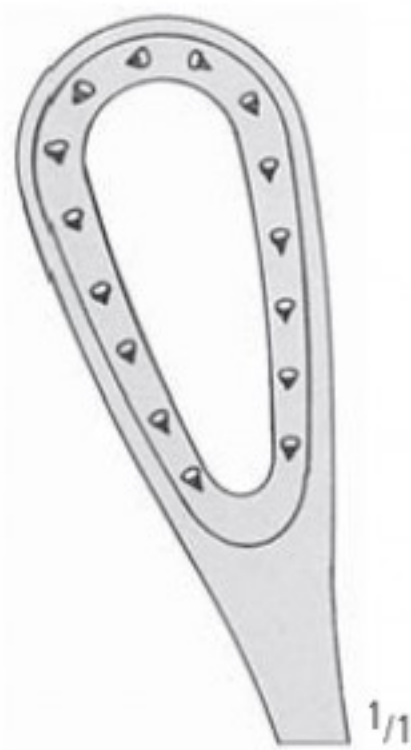
Fig. 1 KB 781/01

Fig. 2 KB 781/02

Fig. 3 KB 781/03



KB 784/27

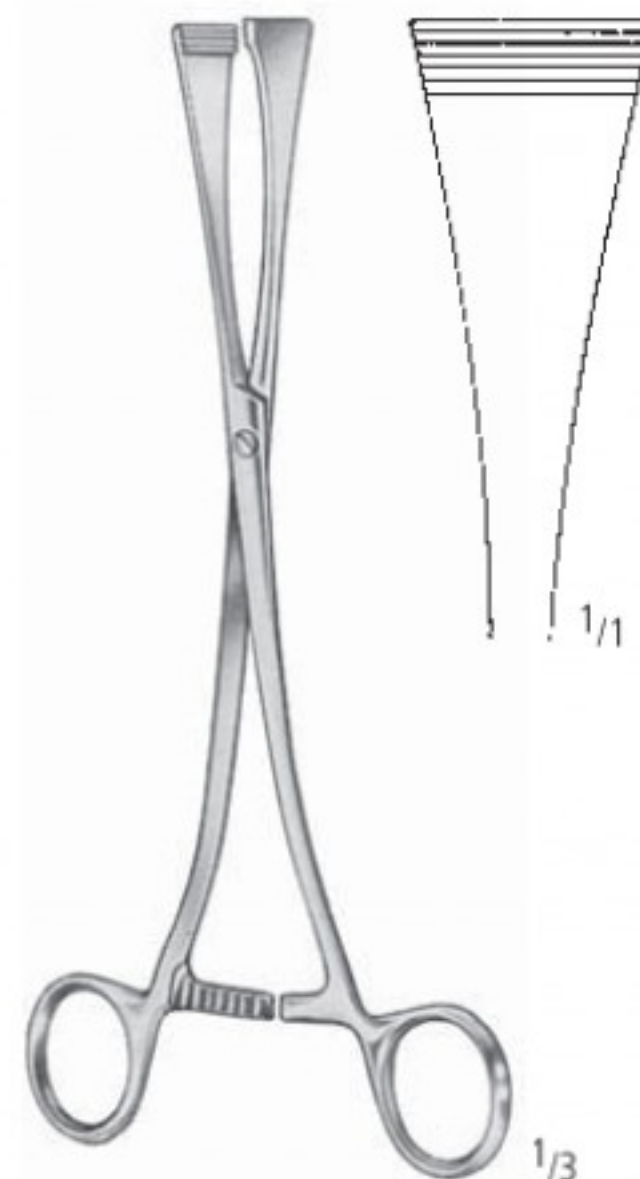


KB 785/27

1/3

SAENGER

27,0 cm/10³/₄"



1/3

GREEN-ARMYTAGE

KB 786/21

21,0 cm/8¹/₄"



WALLICH

KB 787/42

42,0 cm/16¹/₂"

GEBURTSHILFE OBSTETRICS OBSTETRICIA ACCOUCHEMENTS OSTETRICIA

Perforatorien, Dekapitationshaken
 Perforators, Decapitating Hooks
 Perfora-crâneos, Ganchos para decapitación
 Perce-crânes, Crochets pour détroncation
 Spezzacrani, Uncino per detroncazione



NAEGELE
 KB 788/25
 25,0 cm/10"



SMELLIE
 KB 790/25
 25,0 cm/10"



BRAUN
 KB 791/30
 30,0 cm/12"



SMELLIE
 KB 792/30
 30,0 cm/12"

AA
 AB
 AC
 AD
 AE
 AF
 AK
 AL
 AM
 AO
 AP
 AR
 KA
KB
 KC
 KD
 KU
 KY

Basiotrib, Kranioklast
 Basiotribe, Cranioclast
 Basiotribo, Craneoclasto
 Basiotribe, Cranioclaste
 Basiotribo, Cranioclaste



TARNIER
 KB 798/46
 46,0 cm/18"



BRAUN
 KB 799/42
 42,0 cm/16 1/2"

Instrumente für die Amnionblase
 Instruments for the amnion bladder
 Instrumentos para la vesícula amniótica
 Instruments pour la vésicule amniotique
 Strumenti per la vescicola amniotica



IOWA
 KB 801/14
 14,0 cm/5¹/₂"



IOWA
 KB 805/26
 26,0 cm/10¹/₂"



BEACHAM
 KB 806/26
 26,0 cm/10¹/₂"

AA
 AB
 AC
 AD
 AE
 AF
 AK
 AL
 AM
 AO
 AP
 AR
 KA
KB
 KC
 KD
 KU
 KY

