
UROLOGIE
UROLOGY
UROLOGIA
UROLOGIE
UROLOGIA

KC

nopa[®] instruments



Vasektomieklemmen
 Vasectomy Forceps
 Pinzas de vasectomía
 Pincas de vasectomie
 Pinze de vasectomia



KC 040/01
 14,0 cm/5 1/2"



KC 040/02
 14,0 cm/5 1/2"

UROLOGIE UROLOGY UROLOGIA UROLOGIE UROLOGIA

Nierensteinzangen
 Kidney Stone Forceps
 Pinzas para cálculos renales
 Pincas pour les calculs du bassinet
 Pinza per calcoli renali

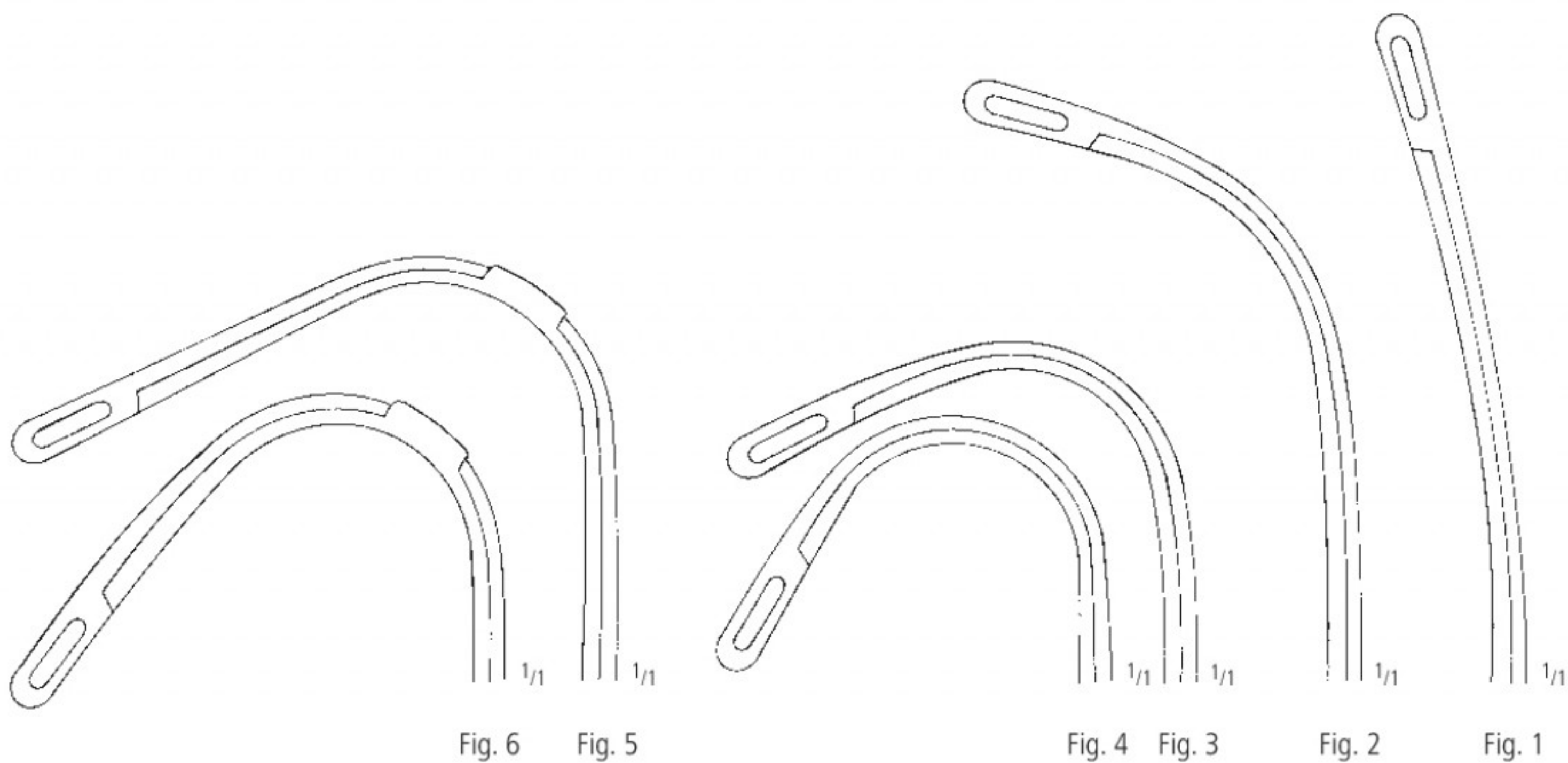
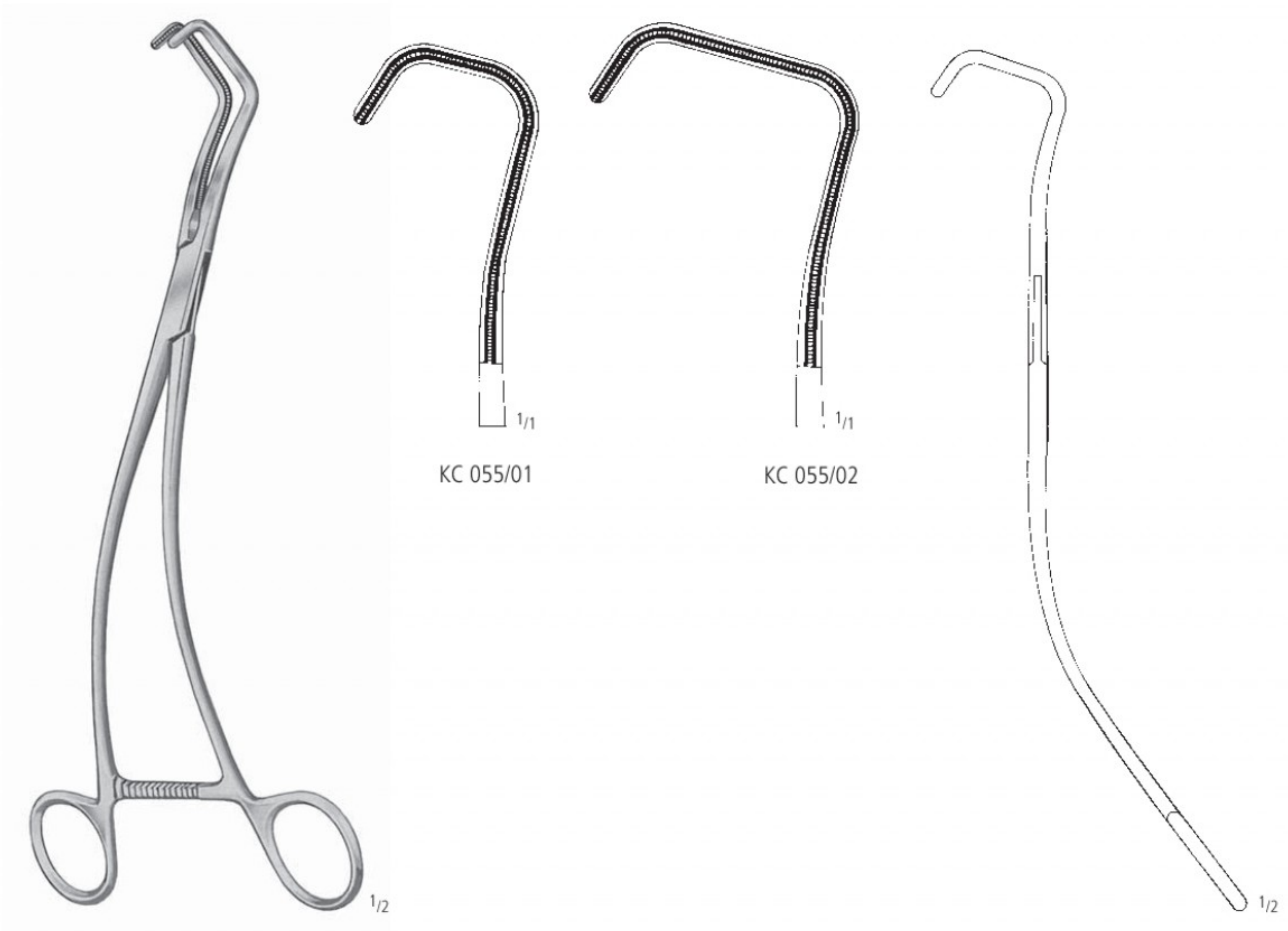


Fig.	cm / in.	RANDALL
1	23,0/9"	KC 051/01
2	22,0/8 ³ / ₄ "	KC 051/02
3	22,0/8 ³ / ₄ "	KC 051/03
4	22,0/8 ³ / ₄ "	KC 051/04
5	19,0/7 ¹ / ₂ "	KC 051/05
6	19,0/7 ¹ / ₂ "	KC 051/06

AA
AB
AC
AD
AE
AF
AK
AL
AM
AO
AP
AR
KA
KB
KC
KD
KU
KY

KC

Tangentialklemmen
 Tangential Forceps
 Pinzas tangenciales
 Pincas à tangential
 Pinze per tangentiale



URO-TANGENTIAL
 26,0 cm/10¹/₂"

UROLOGIE UROLOGY UROLOGIA UROLOGIE UROLOGIA

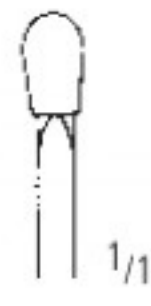
Gallensteinsonden, Gallenkanal Dilatatore
 Gall Stone Probes, Gall Duct Dilators
 Exploradores para cálculos biliares, Dilatadores para conductos biliares
 Explorateurs à calculs biliaires, Dilatateurs à voies biliaires
 Sonde per calcoli biliari, Dilatatori per condotti biliari



MOYNIHAN
 KC 110/34
 34,0 cm/13¹/₃"



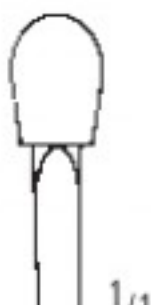
DESJARDINS
 28,0 cm/11"



KC 120/02



KC 120/04



KC 120/06



BAKES
 30,0 cm/12"



Fig. 1
 KC 130/01



Fig. 2
 KC 130/02



Fig. 3
 KC 130/03



Fig. 4
 KC 130/04

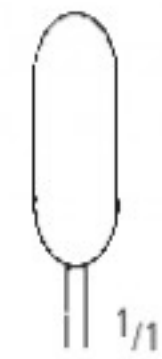


Fig. 5
 KC 130/05



Fig. 6
 KC 130/06



Fig. 7
 KC 130/07



Fig. 8
 KC 130/08



Fig. 9
 KC 130/09



Fig. 10
 KC 130/10

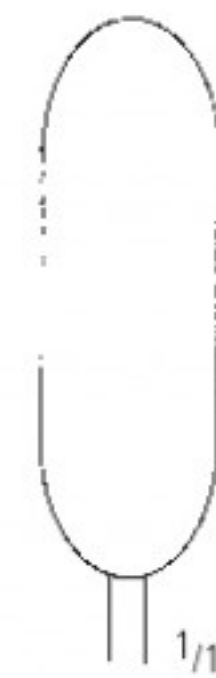


Fig. 11
 KC 130/11



Fig. 12
 KC 130/12



Fig. 13
 KC 130/13

AA
 AB
 AC
 AD
 AE
 AF
 AK
 AL
 AM
 AO
 AP
 AR
 KA
 KB
 KC
 KD
 KU
 KY

Gallensteinzangen
 Gall Stone Forceps
 Pinzas para cálculos biliares
 Pincers pour calculs biliaires
 Pinze per calcoli biliari



BLAKE
 KC 186/20
 20,0 cm/8"



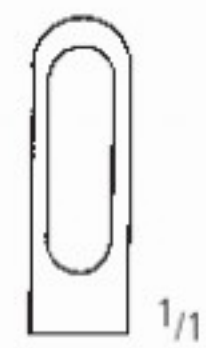
BLAKE
 KC 187/20
 20,0 cm/8"



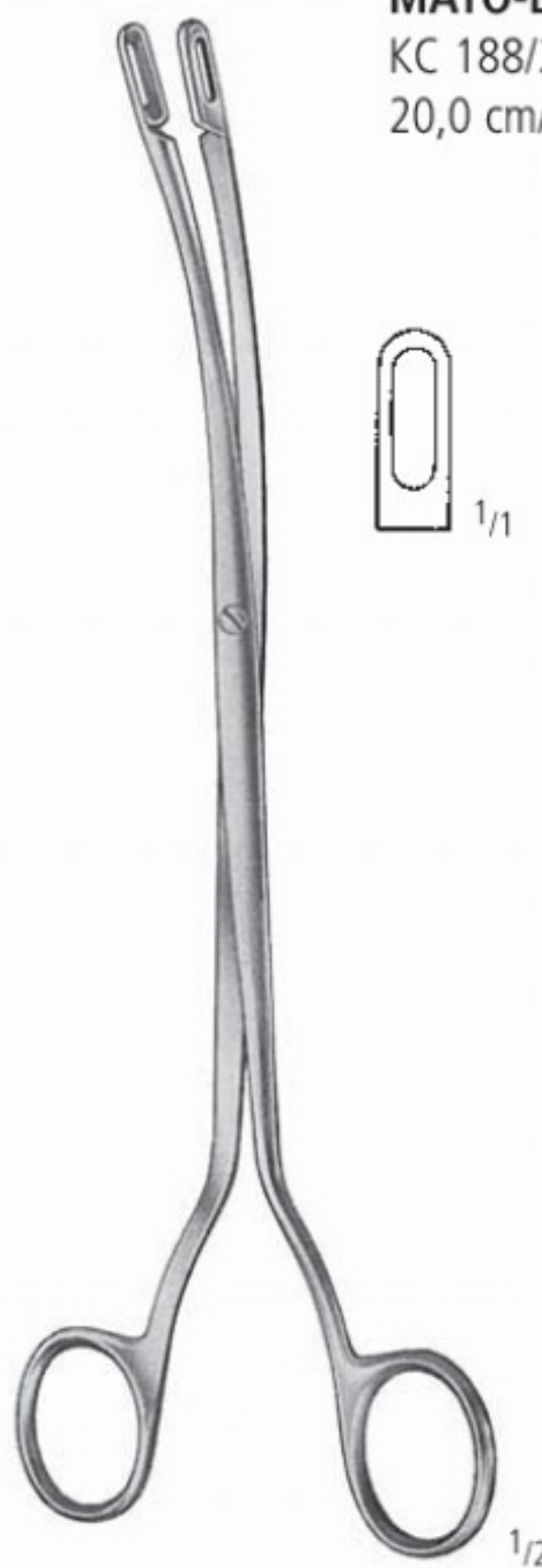
MAYO-BLAKE
 KC 188/20
 20,0 cm/8"



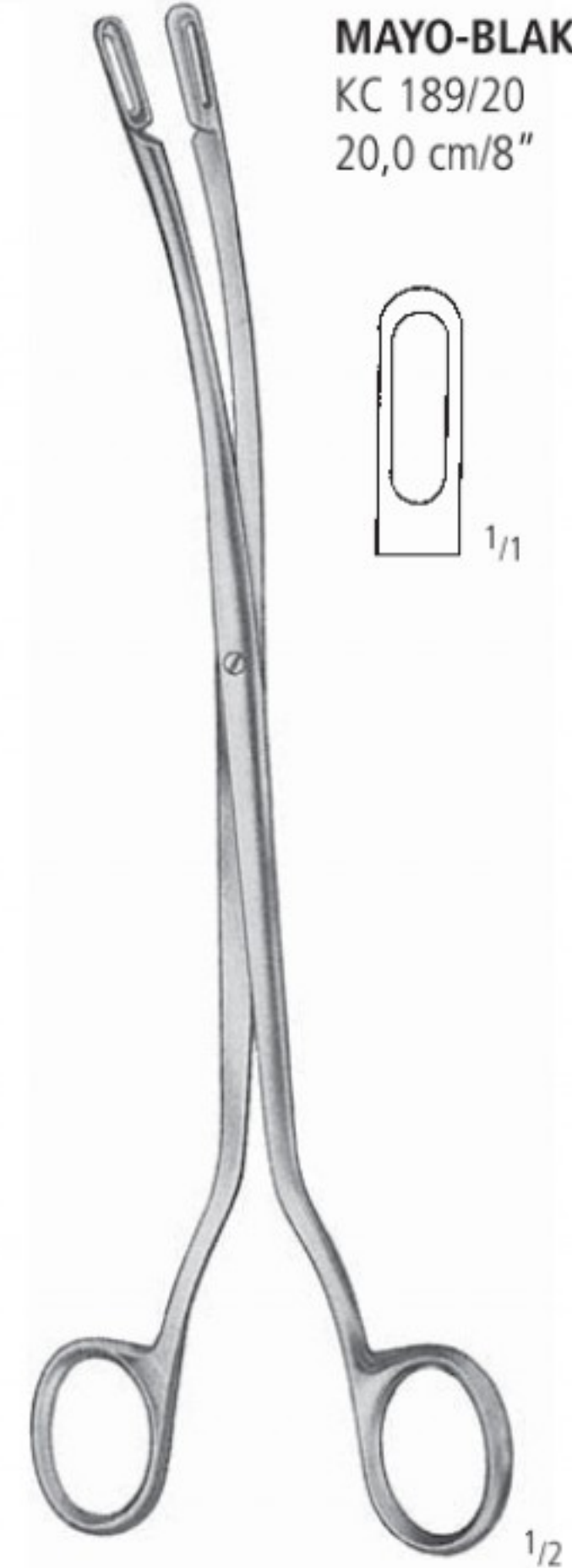
MAYO-BLAKE
 KC 189/20
 20,0 cm/8"



MIXTER
 KC 190/22
 22,0 cm/8³/₄"



DESJARDINS
 KC 191/01
 23,0 cm/9"



DESJARDINS
 KC 191/02
 23,0 cm/9"

UROLOGIE UROLOGY UROLOGIA UROLOGIE UROLOGIA

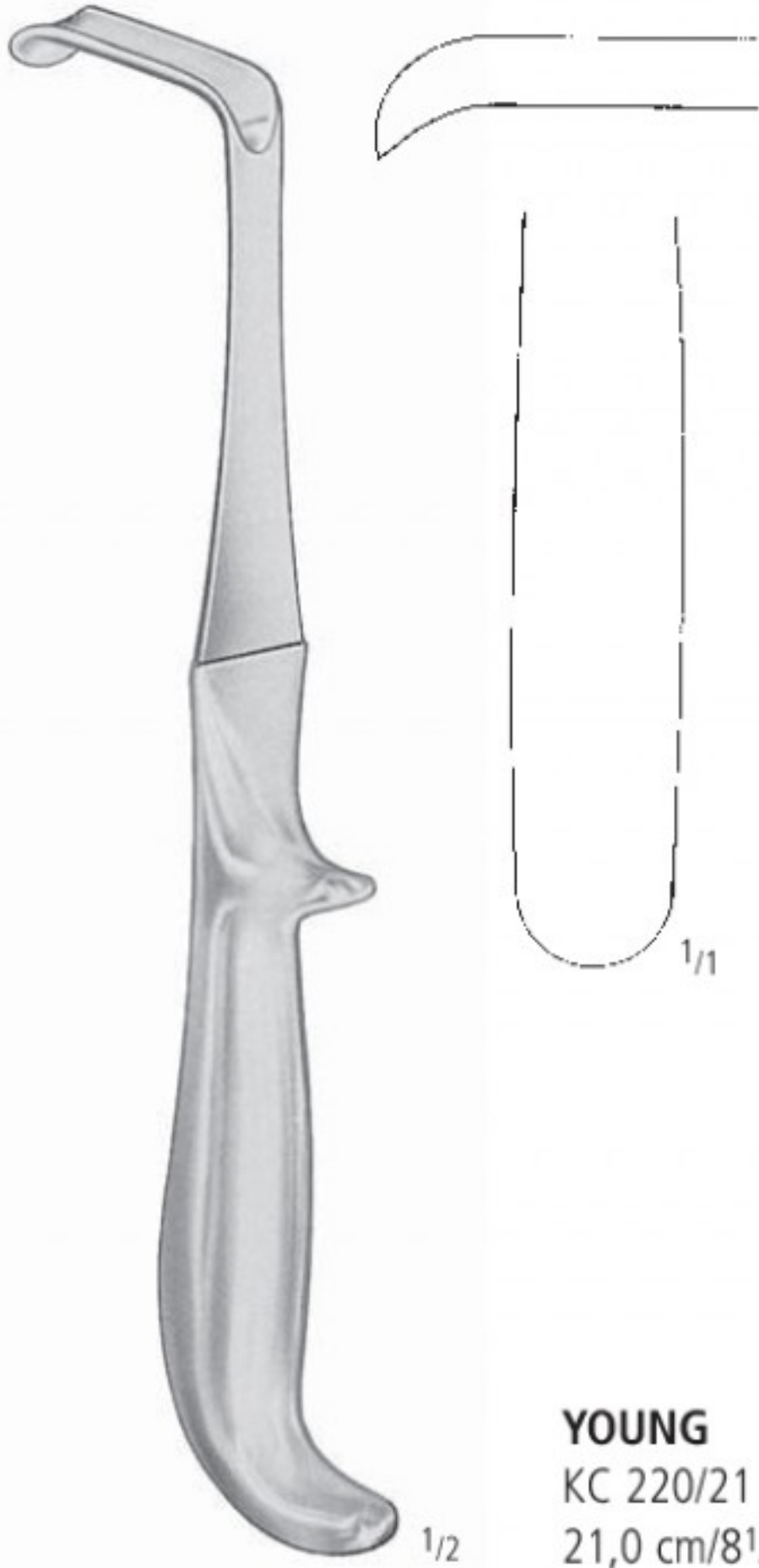
Gallensteinlöffel
 Gall Stone Scoops
 Cucharillas para coger cálculos biliares
 Curettes pour calculs biliaires
 Cucchiari per calcoli biliari

 <p>1/2</p>	 <p>1/1</p>	<p>KC 200/01</p>	 <p>1/2</p>	 <p>1/1</p>	<p>2,5 mm Fig. 000 KC 210/02</p>	 <p>1/1</p>	<p>3,2 mm Fig. 00 KC 210/03</p>
	 <p>1/1</p>	<p>KC 200/02</p>		 <p>1/1</p>	<p>4,2 mm Fig. 0 KC 210/04</p>	 <p>1/1</p>	<p>5,5 mm Fig. 1 KC 210/05</p>
	 <p>1/1</p>	<p>KC 200/03</p>		 <p>1/1</p>	<p>6,7 mm Fig. 2 KC 210/06</p>	 <p>1/1</p>	<p>8,0 mm Fig. 3 KC 210/08</p>
	 <p>1/1</p>	<p>KC 200/04</p>		 <p>1/1</p>	<p>11,0 mm Fig. 4 KC 210/11</p>	 <p>1/1</p>	<p>15,0 mm Fig. 5 KC 210/15</p>

AA
AB
AC
AD
AE
AF
AK
AL
AM
AO
AP
AR
KA
KB
KC
KD
KU
KY

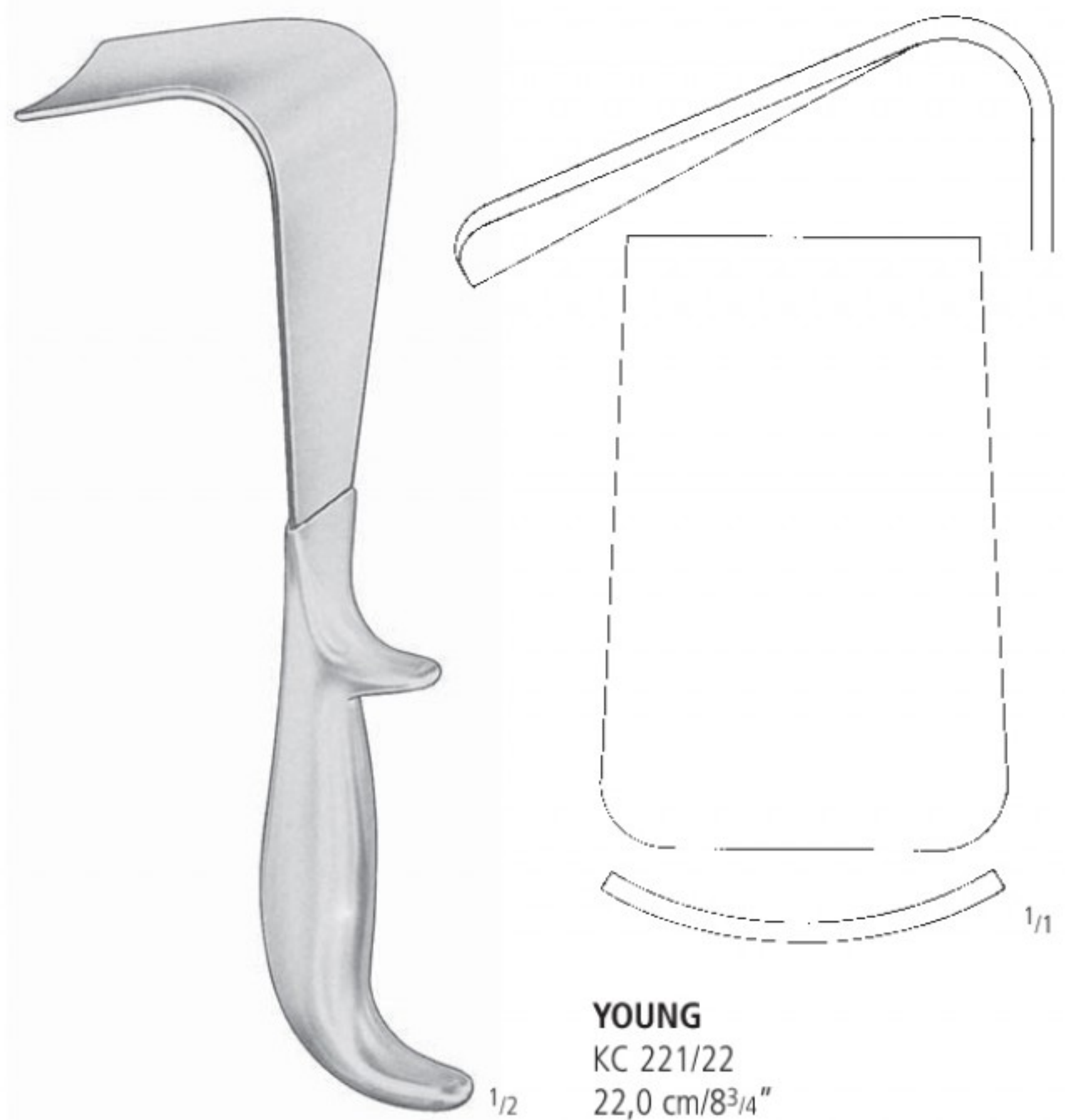
Prostatahaken
 Prostatic Retractors
 Separadores para la próstata
 Ecarteurs prostatiques
 Divaricatori prostatici

11 x 50 mm



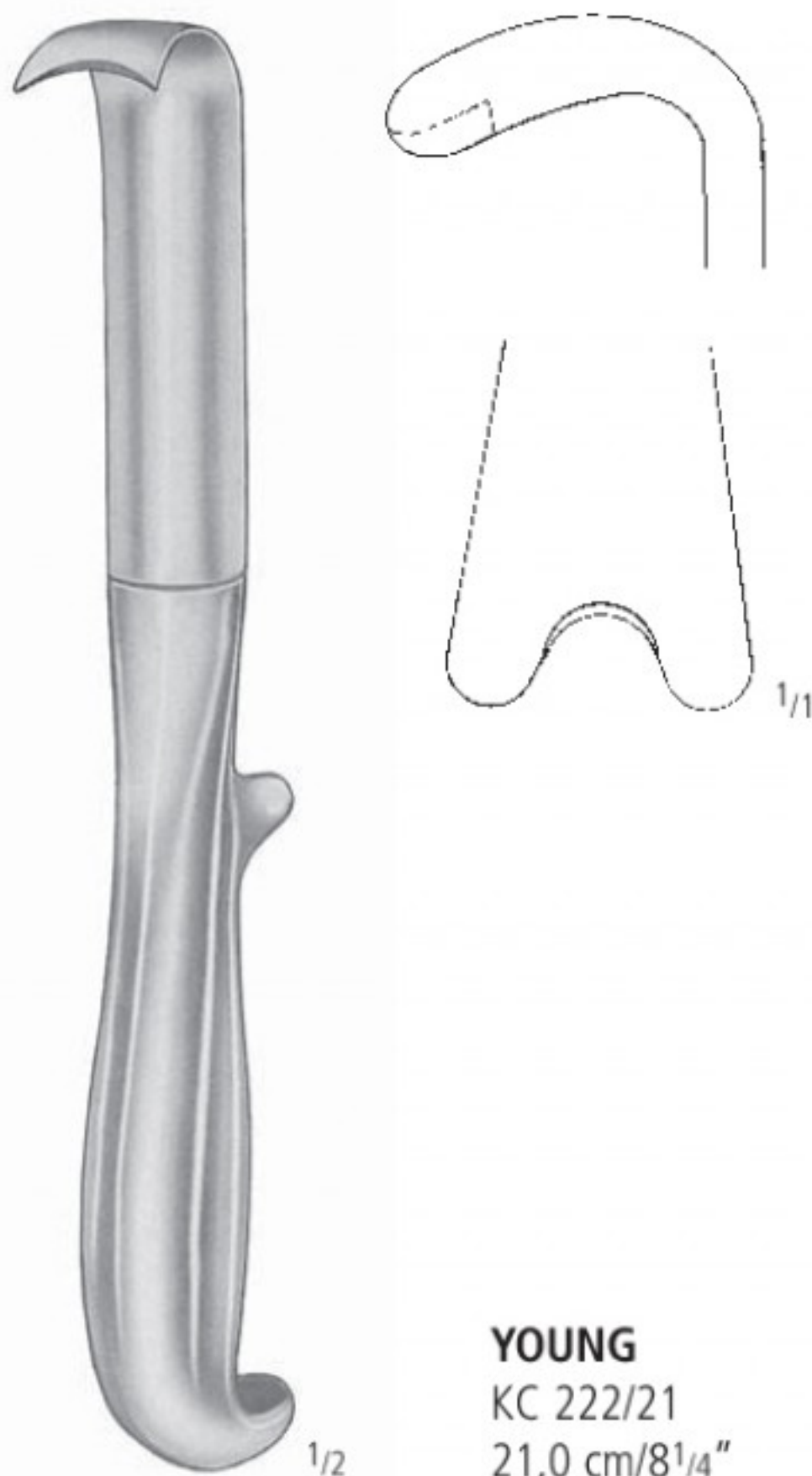
YOUNG
 KC 220/21
 21,0 cm/8¹/₄"

38 x 64 mm



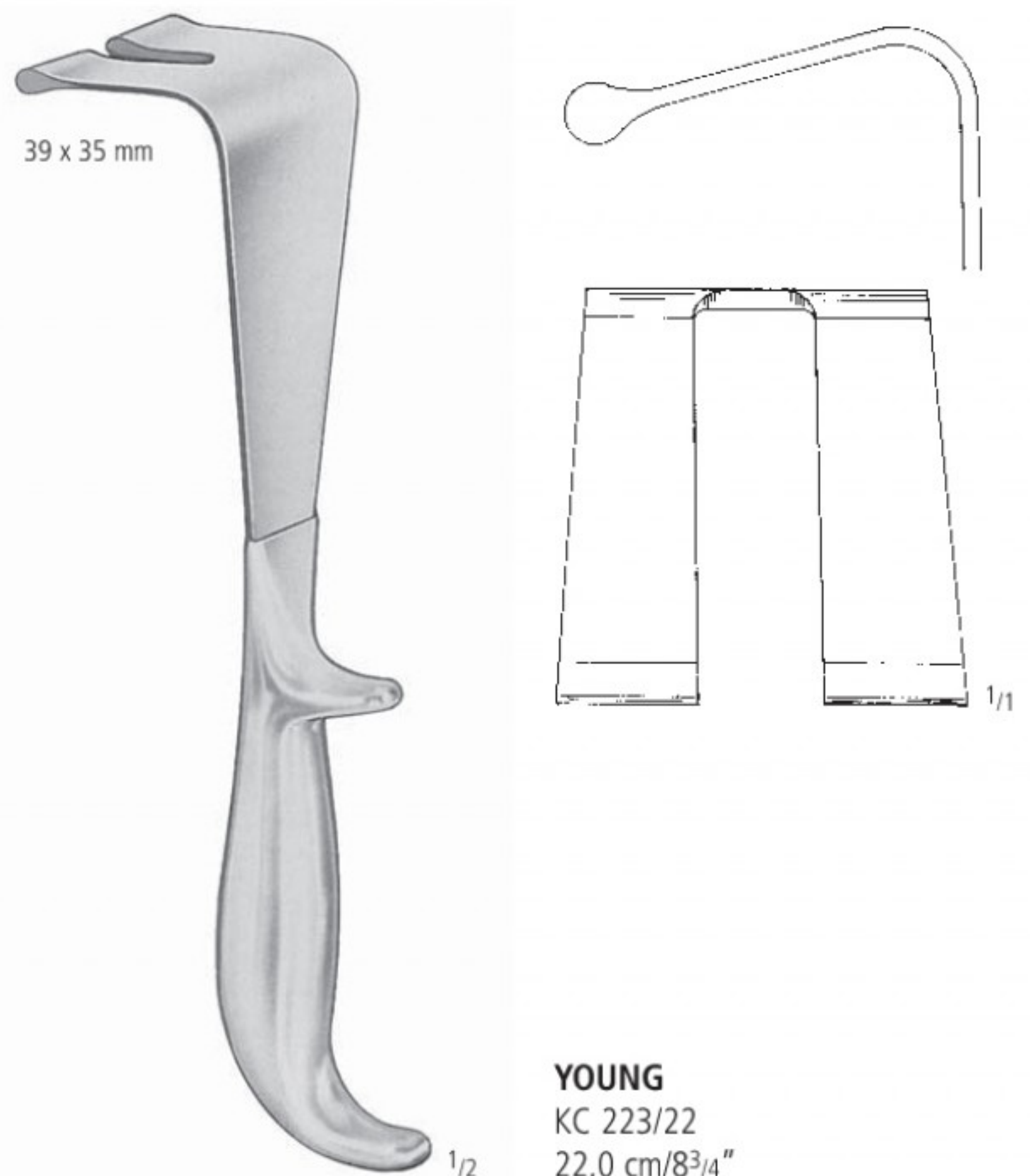
YOUNG
 KC 221/22
 22,0 cm/8³/₄"

25 x 25 mm



YOUNG
 KC 222/21
 21,0 cm/8¹/₄"

39 x 35 mm



YOUNG
 KC 223/22
 22,0 cm/8³/₄"

UROLOGIE UROLOGY UROLOGIA UROLOGIE UROLOGIA

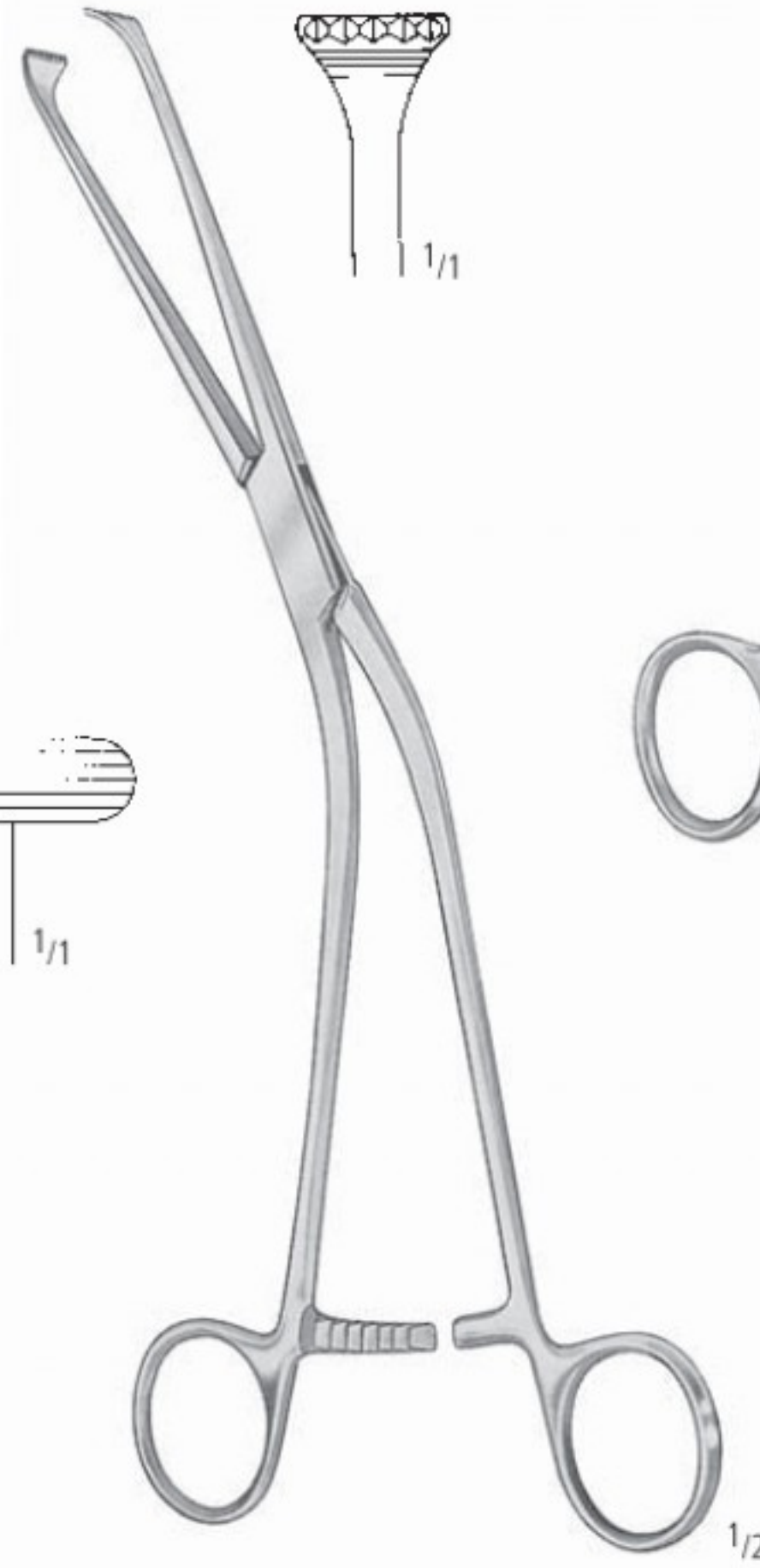
Instrumente für Prostata-Operationen
 Prostatectomy Instruments
 Instrumentos para prostatectomia
 Instruments pour prostatectomie
 Strumenti per operazioni della prostata



MILLIN
 KC 231/24
 24,0 cm/9¹/₂"



MILLIN
 KC 241/01
 23,0 cm/9"



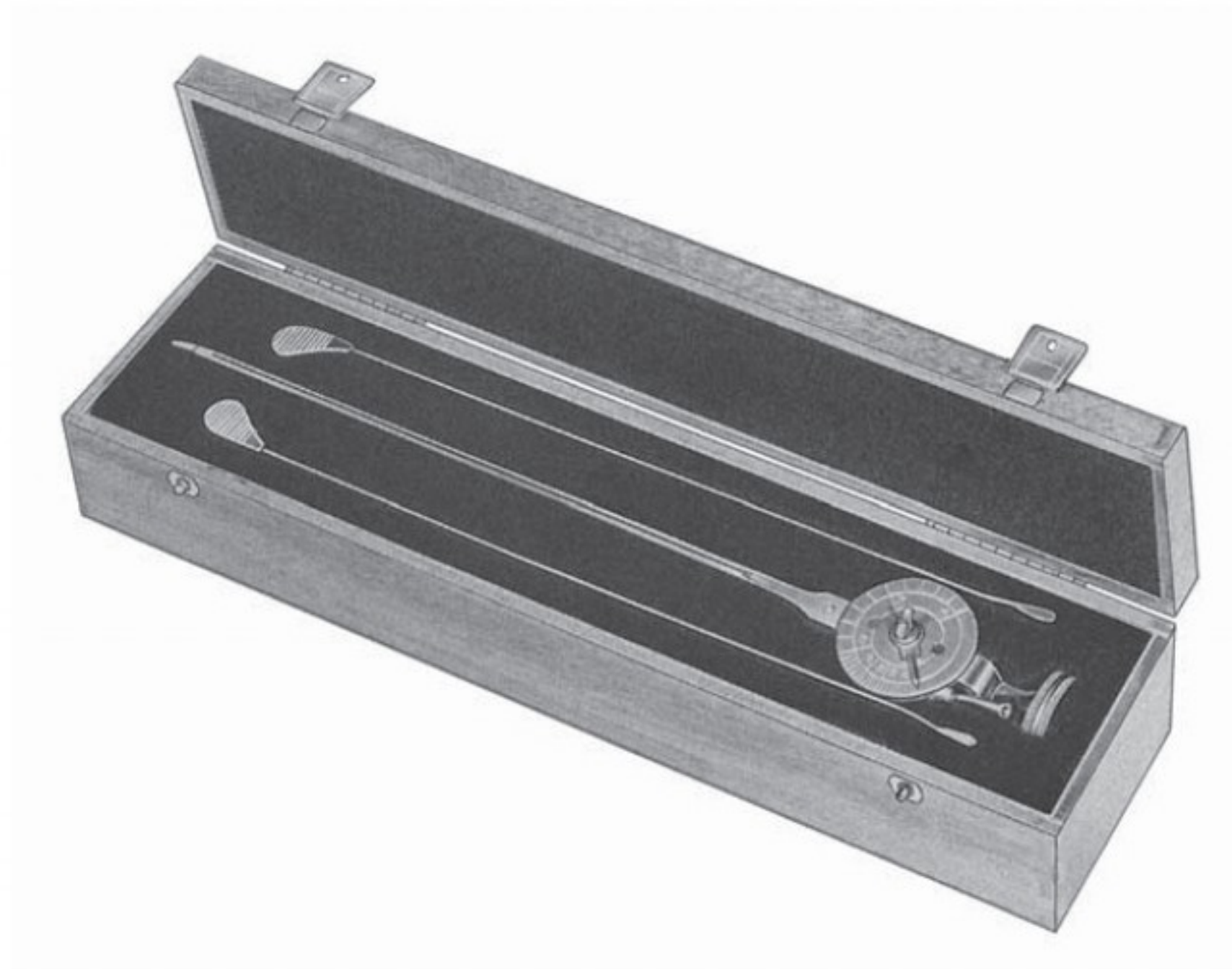
MILLIN
 KC 241/02
 23,0 cm/9"



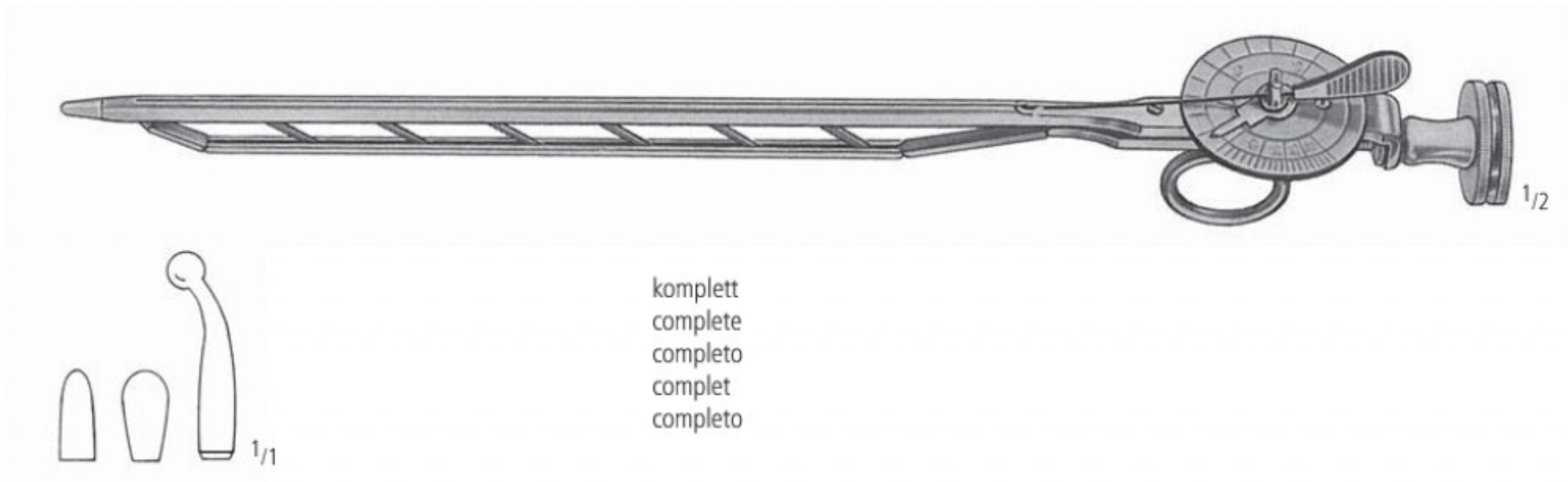
MILLIN
 KC 241/03
 24,0 cm/9¹/₂"

AA
 AB
 AC
 AD
 AE
 AF
 AG
 AH
 AI
 AJ
 AK
 AL
 AM
 AN
 AO
 AP
 AQ
 AR
 AS
 AT
 AU
 AV
 AW
 AX
 AY
 AZ
 BA
 BB
 BC
 BD
 BE
 BF
 BG
 BH
 BI
 BJ
 BK
 BL
 BM
 BN
 BO
 BP
 BQ
 BR
 BS
 BT
 BU
 BV
 BW
 BX
 BY
 BZ
 CA
 CB
 CC
 CD
 CE
 CF
 CG
 CH
 CI
 CJ
 CK
 CL
 CM
 CN
 CO
 CP
 CQ
 CR
 CS
 CT
 CU
 CV
 CW
 CX
 CY
 CZ
 DA
 DB
 DC
 DD
 DE
 DF
 DG
 DH
 DI
 DJ
 DK
 DL
 DM
 DN
 DO
 DP
 DQ
 DR
 DS
 DT
 DU
 DV
 DW
 DX
 DY
 DZ
 EA
 EB
 EC
 ED
 EE
 EF
 EG
 EH
 EI
 EJ
 EK
 EL
 EM
 EN
 EO
 EP
 EQ
 ER
 ES
 ET
 EU
 EV
 EW
 EX
 EY
 EZ
 FA
 FB
 FC
 FD
 FE
 FF
 FG
 FH
 FI
 FJ
 FK
 FL
 FM
 FN
 FO
 FP
 FQ
 FR
 FS
 FT
 FU
 FV
 FW
 FX
 FY
 FZ
 GA
 GB
 GC
 GD
 GE
 GF
 GG
 GH
 GI
 GJ
 GK
 GL
 GM
 GN
 GO
 GP
 GQ
 GR
 GS
 GT
 GU
 GV
 GW
 GX
 GY
 GZ
 HA
 HB
 HC
 HD
 HE
 HF
 HG
 HH
 HI
 HJ
 HK
 HL
 HM
 HN
 HO
 HP
 HQ
 HR
 HS
 HT
 HU
 HV
 HW
 HX
 HY
 HZ
 IA
 IB
 IC
 ID
 IE
 IF
 IG
 IH
 II
 IJ
 IK
 IL
 IM
 IN
 IO
 IP
 IQ
 IR
 IS
 IT
 IU
 IV
 IW
 IX
 IY
 IZ
 JA
 JB
 JC
 JD
 JE
 JF
 JG
 JH
 JI
 JJ
 JK
 JL
 JM
 JN
 JO
 JP
 JQ
 JR
 JS
 JT
 JU
 JV
 JW
 JX
 JY
 JZ
 KA
 KB
 KC
 KD
 KE
 KF
 KG
 KH
 KI
 KJ
 KK
 KL
 KM
 KN
 KO
 KP
 KQ
 KR
 KS
 KT
 KU
 KV
 KW
 KX
 KY
 KZ
 LA
 LB
 LC
 LD
 LE
 LF
 LG
 LH
 LI
 LJ
 LK
 LL
 LM
 LN
 LO
 LP
 LQ
 LR
 LS
 LT
 LU
 LV
 LW
 LX
 LY
 LZ
 MA
 MB
 MC
 MD
 ME
 MF
 MG
 MH
 MI
 MJ
 MK
 ML
 MM
 MN
 MO
 MP
 MQ
 MR
 MS
 MT
 MU
 MV
 MW
 MX
 MY
 MZ
 NA
 NB
 NC
 ND
 NE
 NF
 NG
 NH
 NI
 NJ
 NK
 NL
 NM
 NN
 NO
 NP
 NQ
 NR
 NS
 NT
 NU
 NV
 NW
 NX
 NY
 NZ
 OA
 OB
 OC
 OD
 OE
 OF
 OG
 OH
 OI
 OJ
 OK
 OL
 OM
 ON
 OO
 OP
 OQ
 OR
 OS
 OT
 OU
 OV
 OW
 OX
 OY
 OZ
 PA
 PB
 PC
 PD
 PE
 PF
 PG
 PH
 PI
 PJ
 PK
 PL
 PM
 PN
 PO
 PP
 PQ
 PR
 PS
 PT
 PU
 PV
 PW
 PX
 PY
 PZ
 QA
 QB
 QC
 QD
 QE
 QF
 QG
 QH
 QI
 QJ
 QK
 QL
 QM
 QN
 QO
 QP
 QQ
 QR
 QS
 QT
 QU
 QV
 QW
 QX
 QY
 QZ
 RA
 RB
 RC
 RD
 RE
 RF
 RG
 RH
 RI
 RJ
 RK
 RL
 RM
 RN
 RO
 RP
 RQ
 RR
 RS
 RT
 RU
 RV
 RW
 RX
 RY
 RZ
 SA
 SB
 SC
 SD
 SE
 SF
 SG
 SH
 SI
 SJ
 SK
 SL
 SM
 SN
 SO
 SP
 SQ
 SR
 SS
 ST
 SU
 SV
 SW
 SX
 SY
 SZ
 TA
 TB
 TC
 TD
 TE
 TF
 TG
 TH
 TI
 TJ
 TK
 TL
 TM
 TN
 TO
 TP
 TQ
 TR
 TS
 TT
 TU
 TV
 TW
 TX
 TY
 TZ
 UA
 UB
 UC
 UD
 UE
 UF
 UG
 UH
 UI
 UJ
 UK
 UL
 UM
 UN
 UO
 UP
 UQ
 UR
 US
 UT
 UU
 UV
 UW
 UX
 UY
 UZ
 VA
 VB
 VC
 VD
 VE
 VF
 VG
 VH
 VI
 VJ
 VK
 VL
 VM
 VN
 VO
 VP
 VQ
 VR
 VS
 VT
 VU
 VV
 VW
 VX
 VY
 VZ
 WA
 WB
 WC
 WD
 WE
 WF
 WG
 WH
 WI
 WJ
 WK
 WL
 WM
 WN
 WO
 WP
 WQ
 WR
 WS
 WT
 WU
 WV
 WW
 WX
 WY
 WZ
 XA
 XB
 XC
 XD
 XE
 XF
 XG
 XH
 XI
 XJ
 XK
 XL
 XM
 XN
 XO
 XP
 XQ
 XR
 XS
 XT
 XU
 XV
 XW
 XX
 XY
 XZ
 YA
 YB
 YC
 YD
 YE
 YF
 YG
 YH
 YI
 YJ
 YK
 YL
 YM
 YN
 YO
 YP
 YQ
 YR
 YS
 YT
 YU
 YV
 YW
 YX
 YY
 YZ
 ZA
 ZB
 ZC
 ZD
 ZE
 ZF
 ZG
 ZH
 ZI
 ZJ
 ZK
 ZL
 ZM
 ZN
 ZO
 ZP
 ZQ
 ZR
 ZS
 ZT
 ZU
 ZV
 ZW
 ZX
 ZY
 ZZ

Urethrotom
 Urethrotome
 Uretrótomos
 Uréthrotomes
 Uretrotomi



OTIS
 KC 246/00



komplett
 complete
 completo
 complet
 completo



KC 246/10

UROLOGIE UROLOGY UROLOGIA UROLOGIE UROLOGIA

Blasen-Wundspreizer
 Bladder Retractors
 Separadores vesicales
 Ecarteurs vésicaux
 Divaricatori vescicali



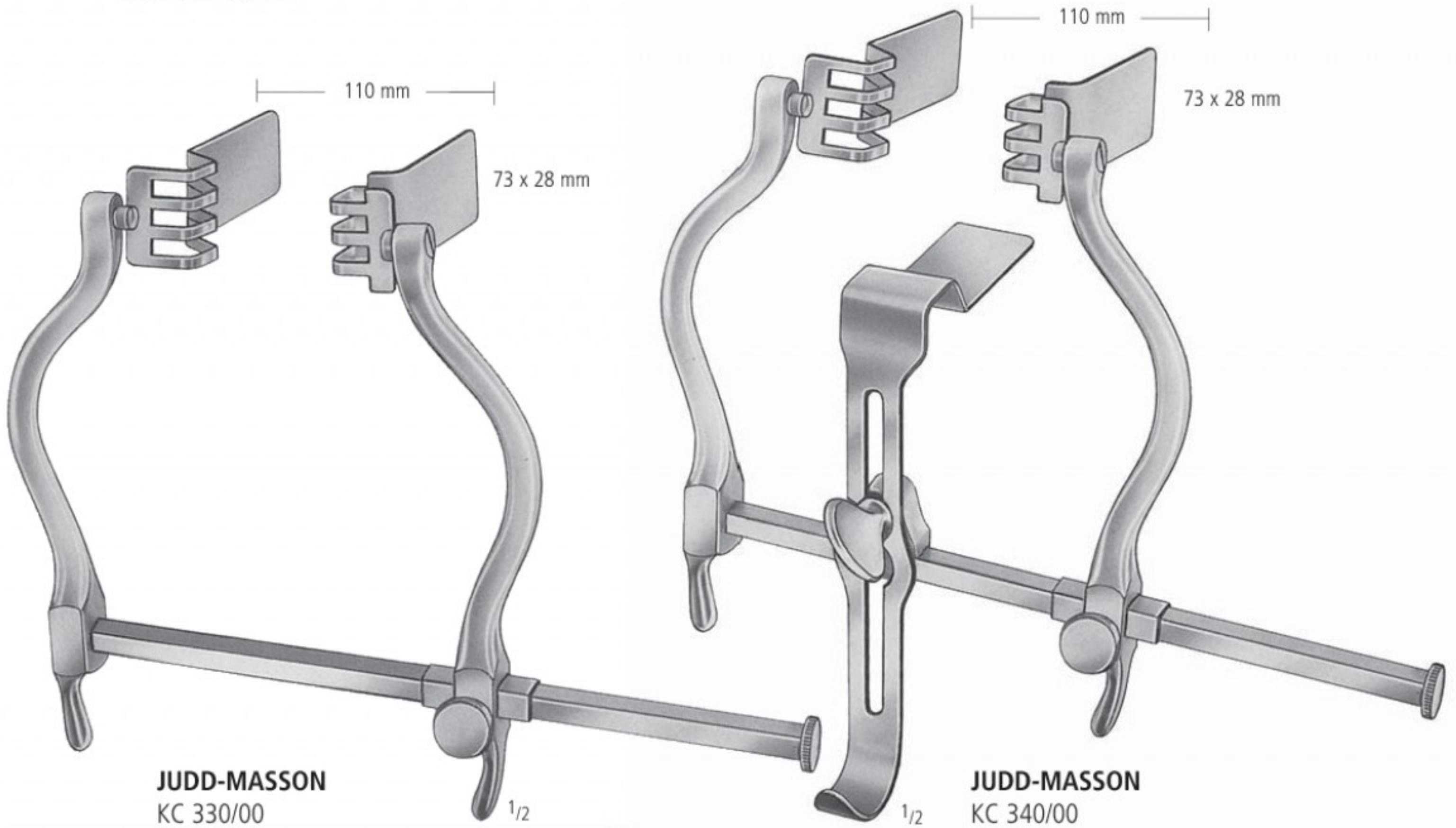
MILLIN
 KC 310/00
 28,0 cm/11"



LEGUEU
 KC 320/00
 17,0 cm/6³/₄"

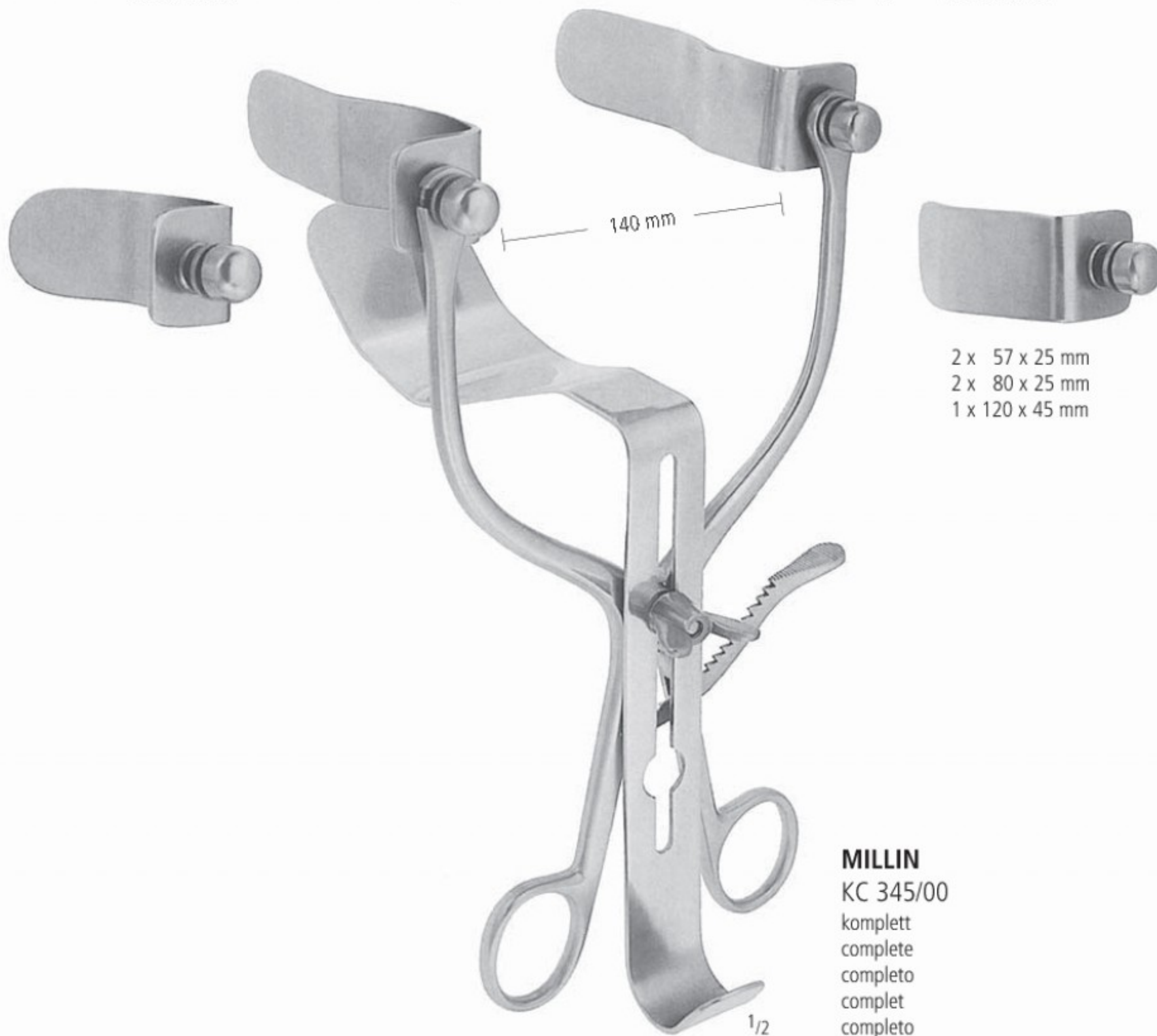
AA
 AB
 AC
 AD
 AE
 AF
 AK
 AL
 AM
 AO
 AP
 AR
 KA
 KB
 KC
 KD
 KU
 KY

Blasen-Wundspreizer
 Bladder Retractors
 Separadores vesicales
 Ecarteurs vésicaux
 Divaricatori vescicali



JUDD-MASSON
 KC 330/00

JUDD-MASSON
 KC 340/00



MILLIN
 KC 345/00
 komplett
 complete
 completo
 complet
 completo

UROLOGIE UROLOGY UROLOGIA UROLOGIE UROLOGIA

Blasenspatel
 Bladder Retractors
 Separadores vesicales
 Spatules et Valves vésicales
 Spatole e Divaricatori vescicali

AA
 AB
 AC
 AD
 AE
 AF
 AK
 AL
 AM
 AO
 AP
 AR
 KA
 KB
 KC
 KD
 KU
 KY



LEGUEU
 KC 350/27
 27,0 cm/10³/₄"



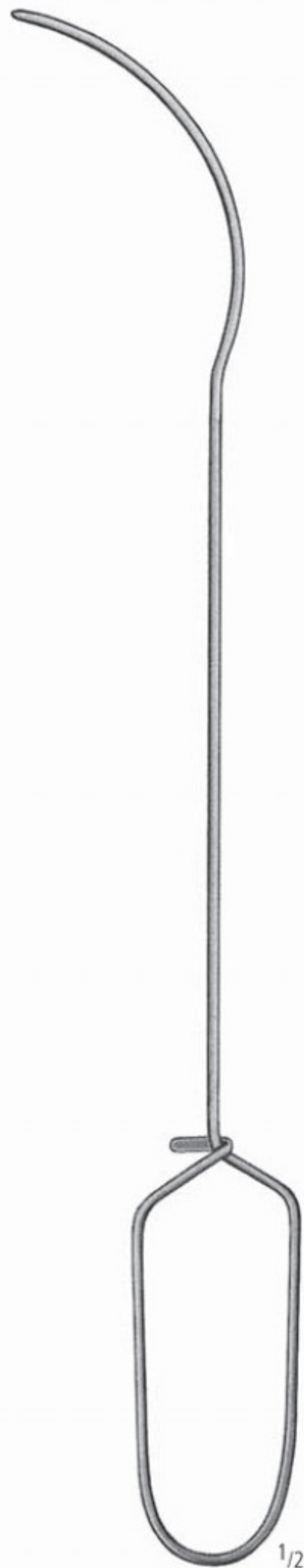
KOCHER
 KC 357/26
 26,0 cm/10¹/₂"

KC

Einführungsinstrumente
 Catheter Introducing Instruments
 Instrumentos para introducir catéteres
 Mandrins pour sondes urétrales
 Mandrini per sonda uretrali



GUYON
 KC 406/39
 39,0 cm/15¹/₃"



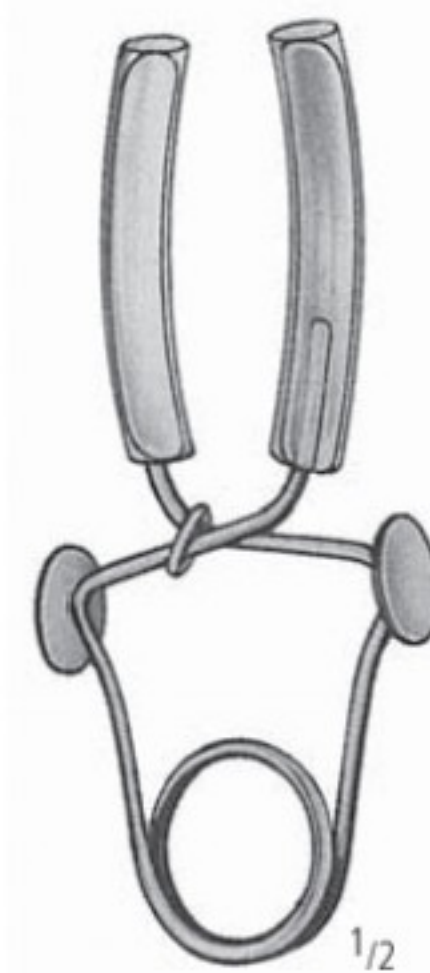
GUYON
 KC 407/35
 35,0 cm/14"

MATHIEU
 KC 420/20 20,0 cm/8"
 KC 420/28 28,0 cm/11"



STOCKMANN
 KC 445/08
 8,0 cm/3"

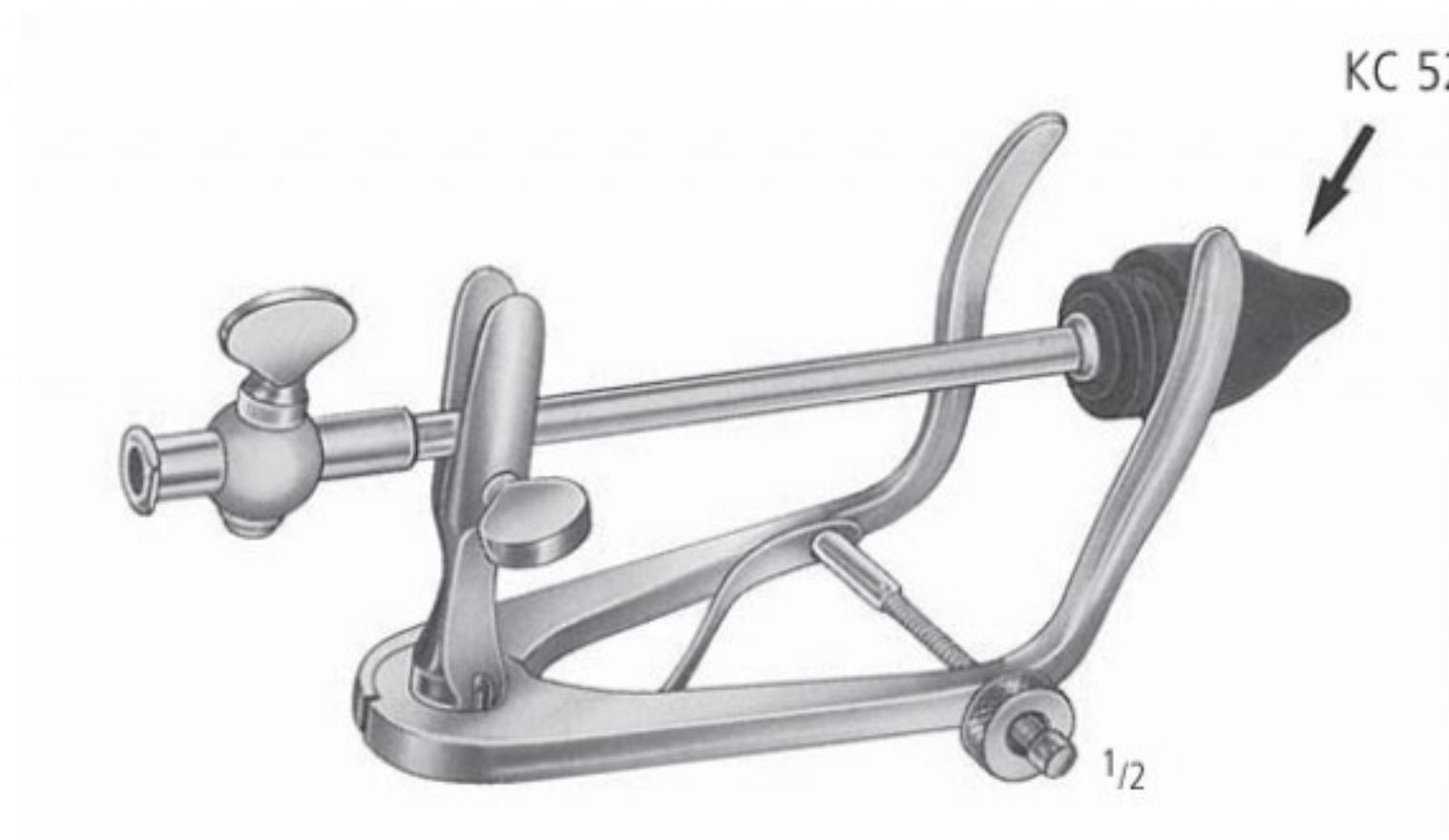
Penisklemmen
 Penis Seizing Forceps
 Compresseur de l'urètre
 Compresores uretrales
 Serrapene



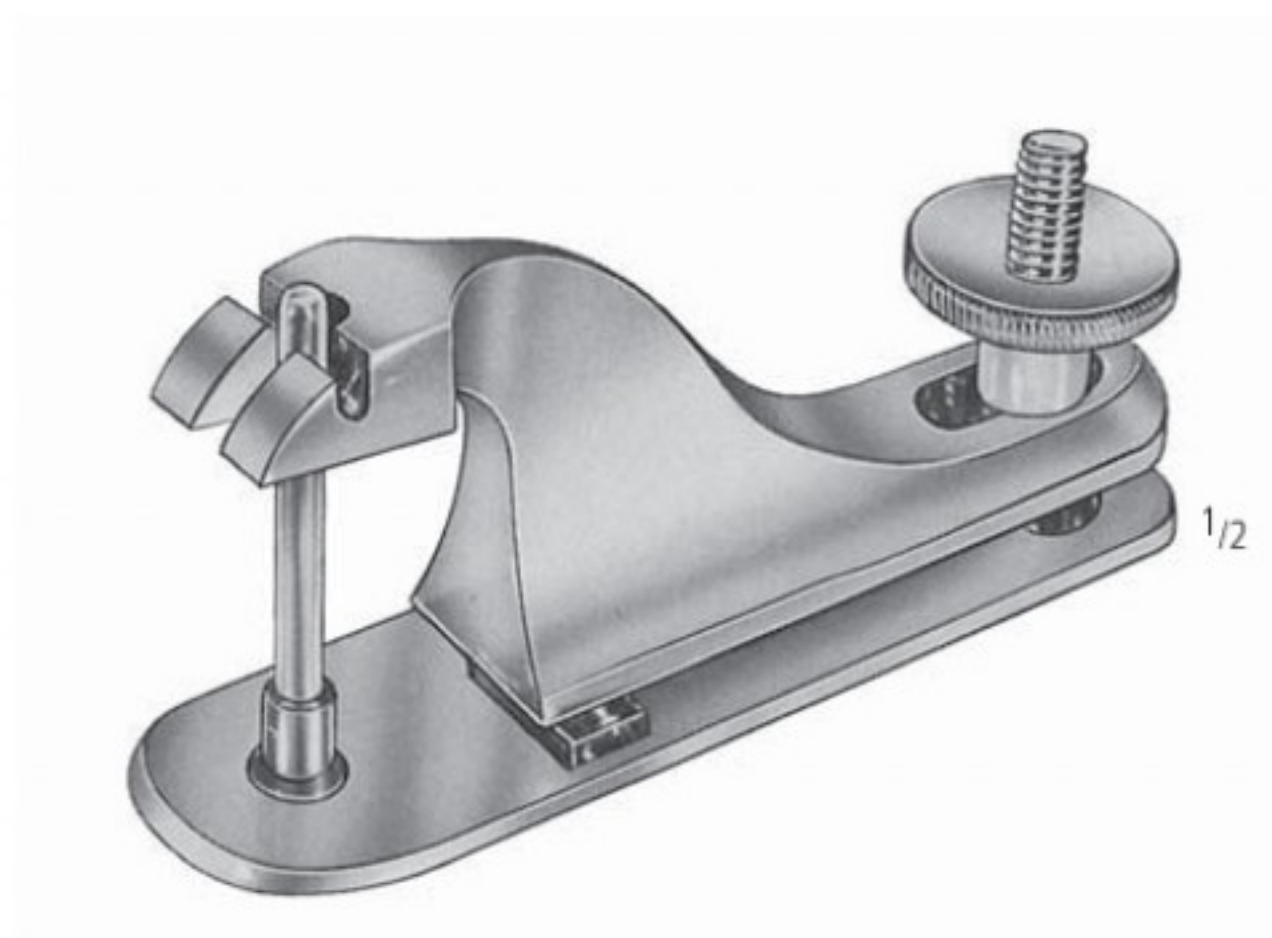
STRAUSS
 KC 449/11
 11,0 cm/4¹/₃"

Beschneidungsinstrument
Circumcision Instrument
Instrumento de circuncisión
Instrument de circoncision
Strumenti per circoncisione

AA
AB
AC
AD
AE
AF
AK
AL
AM
AO
AP
AR
KA
KB
KC
KD
KU
KY



KNUTSON Urethrographie - Instrument
KC 520/00
18,0 cm/7"



KC 530/08 - KC 530/32

mm Ø	
8	KC 530/08
11	KC 530/11
13	KC 530/13
16	KC 530/16
21	KC 530/21
26	KC 530/26
32	KC 530/32

KC

Dilationsbesteck
 Set of Dilating Sounds
 Juego de bujías dilatadoras
 Trousse de cathéters dilatateurs
 Set di candelette dilatatrici

**GUYON**

KC 700/00

420 x 175 x 40 mm

Besteck in Metalletui bestehend aus:

21 Bougies Guyon

4 Gleitsonden

Set in metal case containing:

21 Bougies Guyon

4 filiform Bougies

Juego en estuche de metal, conteniendo:

21 bujías Guyon

4 bujías conductoras

Trousse en boîte métal, contenant:

21 bougies Guyon

4 bougies conductrices

Set in scatola metallica, contente:

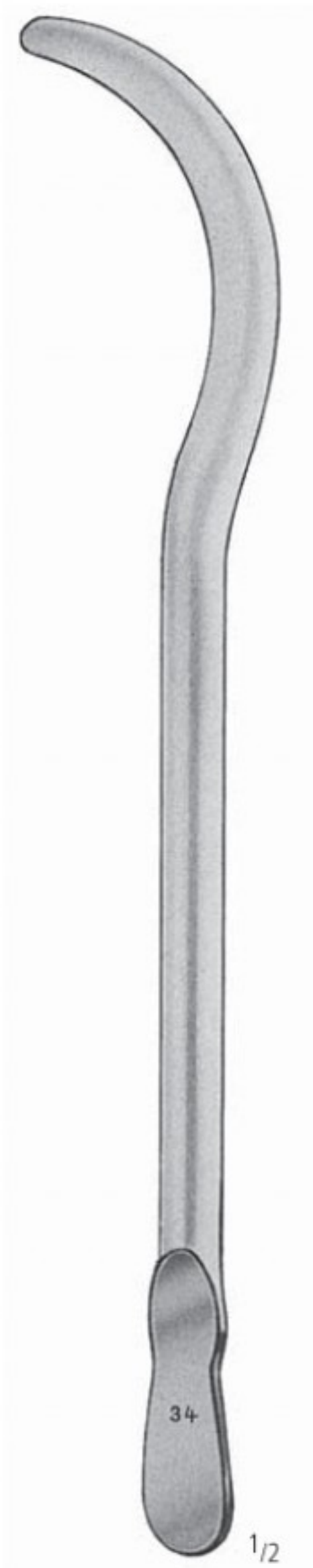
21 candelette Guyon

4 candelette filiformi

UROLOGIE UROLOGY UROLOGIA UROLOGIE UROLOGIA

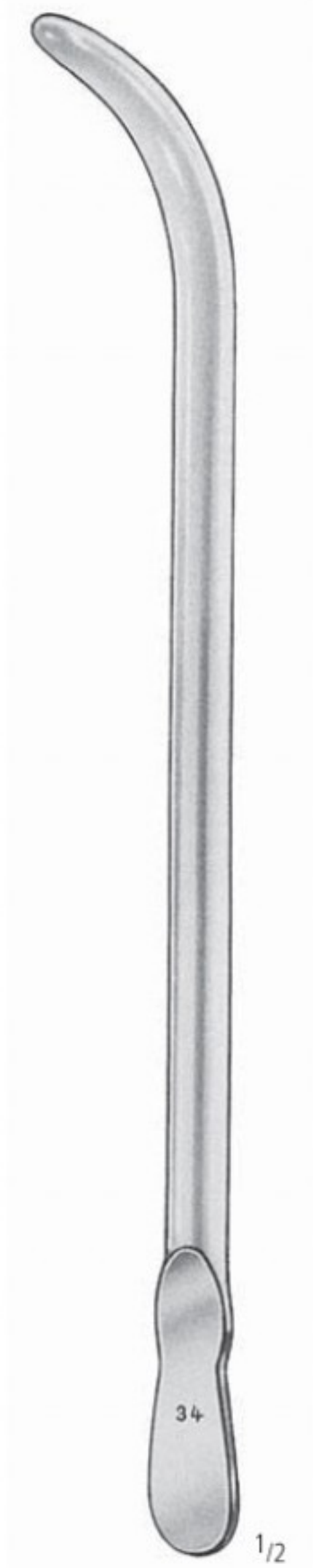
Dilatationsbougies
 Dilating Bougies
 Bujías dilatadoras
 Bougies dilatatrices
 Candelette dilatatrici

mm Ø	charrière (french)	GUYON	VAN BUREN
2 ² / ₃	8		KC 720/08
3 ¹ / ₃	10	KC 710/10	KC 720/10
3 ² / ₃	11	KC 710/11	
4	12	KC 710/12	KC 720/12
4 ¹ / ₃	13	KC 710/13	
4 ² / ₃	14	KC 710/14	KC 720/14
5	15	KC 710/15	
5 ¹ / ₃	16	KC 710/16	KC 720/16
5 ² / ₃	17	KC 710/17	
6	18	KC 710/18	KC 720/18
6 ¹ / ₃	19	KC 710/19	
6 ² / ₃	20	KC 710/20	KC 720/20
7	21	KC 710/21	
7 ¹ / ₃	22	KC 710/22	KC 720/22
7 ² / ₃	23	KC 710/23	
8	24	KC 710/24	KC 720/24
8 ¹ / ₃	25	KC 710/25	
8 ² / ₃	26	KC 710/26	KC 720/26
9	27	KC 710/27	
9 ¹ / ₃	28	KC 710/28	KC 720/28
9 ² / ₃	29	KC 710/29	
10	30	KC 710/30	KC 720/30
10 ² / ₃	32		KC 720/32
11 ¹ / ₃	34		KC 720/34
12	36		KC 720/36



GUYON
 27,0 cm/10³/₄"

ohne Gewinde
 without thread
 sin rosca
 sans filet
 senza filetto



VAN BUREN
 28,0 cm/11"

AA
 AB
 AC
 AD
 AE
 AF
 AG
 AH
 AI
 AJ
 AK
 AL
 AM
 AN
 AO
 AP
 AQ
 AR
 AS
 AT
 AU
 AV
 AW
 AX
 AY
 AZ
 BA
 BB
 BC
 BD
 BE
 BF
 BG
 BH
 BI
 BJ
 BK
 BL
 BM
 BN
 BO
 BP
 BQ
 BR
 BS
 BT
 BU
 BV
 BW
 BX
 BY
 BZ
 CA
 CB
 CC
 CD
 CE
 CF
 CG
 CH
 CI
 CJ
 CK
 CL
 CM
 CN
 CO
 CP
 CQ
 CR
 CS
 CT
 CU
 CV
 CW
 CX
 CY
 CZ
 DA
 DB
 DC
 DD
 DE
 DF
 DG
 DH
 DI
 DJ
 DK
 DL
 DM
 DN
 DO
 DP
 DQ
 DR
 DS
 DT
 DU
 DV
 DW
 DX
 DY
 DZ
 EA
 EB
 EC
 ED
 EE
 EF
 EG
 EH
 EI
 EJ
 EK
 EL
 EM
 EN
 EO
 EP
 EQ
 ER
 ES
 ET
 EU
 EV
 EW
 EX
 EY
 EZ
 FA
 FB
 FC
 FD
 FE
 FF
 FG
 FH
 FI
 FJ
 FK
 FL
 FM
 FN
 FO
 FP
 FQ
 FR
 FS
 FT
 FU
 FV
 FW
 FX
 FY
 FZ
 GA
 GB
 GC
 GD
 GE
 GF
 GG
 GH
 GI
 GJ
 GK
 GL
 GM
 GN
 GO
 GP
 GQ
 GR
 GS
 GT
 GU
 GV
 GW
 GX
 GY
 GZ
 HA
 HB
 HC
 HD
 HE
 HF
 HG
 HH
 HI
 HJ
 HK
 HL
 HM
 HN
 HO
 HP
 HQ
 HR
 HS
 HT
 HU
 HV
 HW
 HX
 HY
 HZ
 IA
 IB
 IC
 ID
 IE
 IF
 IG
 IH
 II
 IJ
 IK
 IL
 IM
 IN
 IO
 IP
 IQ
 IR
 IS
 IT
 IU
 IV
 IW
 IX
 IY
 IZ
 JA
 JB
 JC
 JD
 JE
 JF
 JG
 JH
 JI
 JJ
 JK
 JL
 JM
 JN
 JO
 JP
 JQ
 JR
 JS
 JT
 JU
 JV
 JW
 JX
 JY
 JZ
 KA
 KB
 KC
 KD
 KE
 KF
 KG
 KH
 KI
 KJ
 KK
 KL
 KM
 KN
 KO
 KP
 KQ
 KR
 KS
 KT
 KU
 KV
 KW
 KX
 KY
 KZ
 LA
 LB
 LC
 LD
 LE
 LF
 LG
 LH
 LI
 LJ
 LK
 LL
 LM
 LN
 LO
 LP
 LQ
 LR
 LS
 LT
 LU
 LV
 LW
 LX
 LY
 LZ
 MA
 MB
 MC
 MD
 ME
 MF
 MG
 MH
 MI
 MJ
 MK
 ML
 MM
 MN
 MO
 MP
 MQ
 MR
 MS
 MT
 MU
 MV
 MW
 MX
 MY
 MZ
 NA
 NB
 NC
 ND
 NE
 NF
 NG
 NH
 NI
 NJ
 NK
 NL
 NM
 NN
 NO
 NP
 NQ
 NR
 NS
 NT
 NU
 NV
 NW
 NX
 NY
 NZ
 OA
 OB
 OC
 OD
 OE
 OF
 OG
 OH
 OI
 OJ
 OK
 OL
 OM
 ON
 OO
 OP
 OQ
 OR
 OS
 OT
 OU
 OV
 OW
 OX
 OY
 OZ
 PA
 PB
 PC
 PD
 PE
 PF
 PG
 PH
 PI
 PJ
 PK
 PL
 PM
 PN
 PO
 PP
 PQ
 PR
 PS
 PT
 PU
 PV
 PW
 PX
 PY
 PZ
 QA
 QB
 QC
 QD
 QE
 QF
 QG
 QH
 QI
 QJ
 QK
 QL
 QM
 QN
 QO
 QP
 QQ
 QR
 QS
 QT
 QU
 QV
 QW
 QX
 QY
 QZ
 RA
 RB
 RC
 RD
 RE
 RF
 RG
 RH
 RI
 RJ
 RK
 RL
 RM
 RN
 RO
 RP
 RQ
 RR
 RS
 RT
 RU
 RV
 RW
 RX
 RY
 RZ
 SA
 SB
 SC
 SD
 SE
 SF
 SG
 SH
 SI
 SJ
 SK
 SL
 SM
 SN
 SO
 SP
 SQ
 SR
 SS
 ST
 SU
 SV
 SW
 SX
 SY
 SZ
 TA
 TB
 TC
 TD
 TE
 TF
 TG
 TH
 TI
 TJ
 TK
 TL
 TM
 TN
 TO
 TP
 TQ
 TR
 TS
 TT
 TU
 TV
 TW
 TX
 TY
 TZ
 UA
 UB
 UC
 UD
 UE
 UF
 UG
 UH
 UI
 UJ
 UK
 UL
 UM
 UN
 UO
 UP
 UQ
 UR
 US
 UT
 UY
 UZ
 VA
 VB
 VC
 VD
 VE
 VF
 VG
 VH
 VI
 VJ
 VK
 VL
 VM
 VN
 VO
 VP
 VQ
 VR
 VS
 VT
 VU
 VV
 VW
 VX
 VY
 VZ
 WA
 WB
 WC
 WD
 WE
 WF
 WG
 WH
 WI
 WJ
 WK
 WL
 WM
 WN
 WO
 WP
 WQ
 WR
 WS
 WT
 WU
 WV
 WW
 WX
 WY
 WZ
 XA
 XB
 XC
 XD
 XE
 XF
 XG
 XH
 XI
 XJ
 XK
 XL
 XM
 XN
 XO
 XP
 XQ
 XR
 XS
 XT
 XU
 XV
 XW
 XX
 XY
 XZ
 YA
 YB
 YC
 YD
 YE
 YF
 YG
 YH
 YI
 YJ
 YK
 YL
 YM
 YN
 YO
 YP
 YQ
 YR
 YS
 YT
 YU
 YV
 YW
 YX
 YZ
 ZA
 ZB
 ZC
 ZD
 ZE
 ZF
 ZG
 ZH
 ZI
 ZJ
 ZK
 ZL
 ZM
 ZN
 ZO
 ZP
 ZQ
 ZR
 ZS
 ZT
 ZU
 ZV
 ZW
 ZX
 ZY
 ZZ

Metall-Katheter
 Metal Catheters
 Sondas metálicas
 Sondes métalliques
 Sonde metalliche

für Männer
 Male Catheters
 para hombres
 pour hommes
 per uomini

für Frauen
 Female Catheters
 para mujeres
 pour femmes
 per donne

	mm Ø	
KC 750/06	2	KC 751/06
KC 750/07	2 ¹ / ₃	KC 751/07
KC 750/08	2 ² / ₃	KC 751/08
KC 750/09	3	KC 751/09
KC 750/10	3 ¹ / ₃	KC 751/10
KC 750/11	3 ² / ₃	KC 751/11
KC 750/12	4	KC 751/12
KC 750/13	4 ¹ / ₃	KC 751/13
KC 750/14	4 ² / ₃	KC 751/14
KC 750/15	5	KC 751/15
KC 750/16	5 ¹ / ₃	KC 751/16
KC 750/17	5 ² / ₃	KC 751/17
KC 750/18	6	KC 751/18
KC 750/19	6 ¹ / ₃	KC 751/19
KC 750/20	6 ² / ₃	KC 751/20
KC 750/21	7	KC 751/21
KC 750/22	7 ¹ / ₃	KC 751/22
KC 750/23	7 ² / ₃	KC 751/23
KC 750/24	8	KC 751/24

stainless steel



KC 750/06 -
 KC 750/24
 27,0 cm/10³/₄"



KC 751/06 -
 KC 751/24
 15,0 cm/6"